



**SPLICE**

TE Internal #: 42329-1

Splices, Thru Splice / Pigtail Splice, 3200 – 3900 CMA Wire Size, Steel, 0 Serration, Length .15 in [3.81 mm], Reel, Open, SPLICE

[View on TE.com >](#)

Terminals & Splices > Splices



Sealable: **No**

Wire Size: **3200 – 3900 CMA**

Contact Base Material: **Steel**

Splice Type: **Pigtail Splice, Thru Splice**

Terminal Material Thickness: **.3 mm [ .012 in ]**

**Features**

**Product Type Features**

Sealable	No
Splice Type	Pigtail Splice, Thru Splice
Compatible With Discrete Wire Type	Solid, Stranded
Wire Insulation Support Retention Type	Non-Insulation Support

**Configuration Features**

Number of Serrations	0
Compatible With Wire & Cable Type	Discrete Wire

**Body Features**

Product Weight	.089 g
----------------	--------

**Contact Features**

Contact Base Material	Steel
Barrel Type	Open

**Mechanical Attachment**

Wire Insulation Support	Without
-------------------------	---------

### Dimensions

Wire Size	3200 – 3900 CMA
Terminal Material Thickness	.3 mm[.012 in]
Product Length	3.81 mm[.15 in]

### Usage Conditions

Insulation Option	Uninsulated
Operating Temperature Range	-40 – 250 °C[-40 – 482 °F]

### Operation/Application

Compatible With Wire Base Material	Copper
------------------------------------	--------

### Industry Standards

Government Qualified Splice	No
-----------------------------	----

### Packaging Features

Packaging Quantity	33000
Packaging Method	Reel

### Product Compliance

[For compliance documentation, visit the product page on TE.com>](#)

EU RoHS Directive 2011/65/EU	Compliant
EU ELV Directive 2000/53/EC	Compliant
China RoHS 2 Directive MIIT Order No 32, 2016	No Restricted Materials Above Threshold
EU REACH Regulation (EC) No. 1907/2006	Current ECHA Candidate List: JUNE 2023 (235) Candidate List Declared Against: JUNE 2023 (235) Does not contain REACH SVHC
Halogen Content	Low Halogen - Br, Cl, F, I < 900 ppm per homogenous material. Also BFR/CFR/PVC Free
Solder Process Capability	Not applicable for solder process capability

#### Product Compliance Disclaimer

This information is provided based on reasonable inquiry of our suppliers and represents our current actual knowledge based on the information they provided. This information is subject to change. The part numbers that TE has identified as EU RoHS compliant have a maximum concentration of 0.1% by weight in homogenous materials for lead, hexavalent chromium, mercury, PBB, PBDE, DBP, BBP, DEHP, DIBP, and 0.01% for cadmium, or qualify for an exemption to these limits as defined in the Annexes of Directive 2011/65/EU (RoHS2). Finished electrical and electronic equipment products will be CE marked as required by Directive 2011/65/EU. Components may not be CE marked. Additionally, the part numbers that TE has identified as EU ELV compliant have a maximum concentration of 0.1% by weight in homogenous materials for lead, hexavalent chromium, and mercury, and 0.01% for cadmium, or qualify for an exemption to these limits

as defined in the Annexes of Directive 2000/53/EC (ELV). Regarding the REACH Regulation, the information TE provides on SVHC in articles for this part number is based on the latest European Chemicals Agency (ECHA) 'Guidance on requirements for substances in articles' posted at this URL: <https://echa.europa.eu/guidance-documents/guidance-on-reach>

## Compatible Parts



Also in the Series | **SPLICE**



Crimp Wire Pins, Tabs &amp; Ferrules(1)

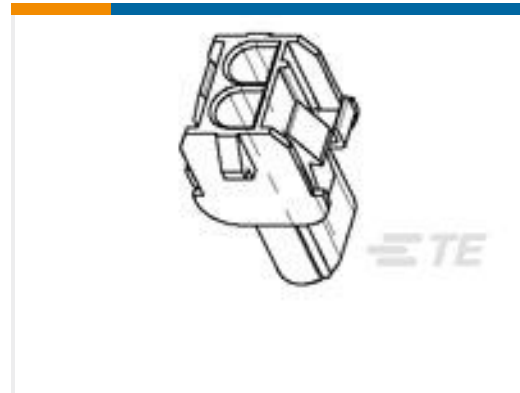


Splices(64)

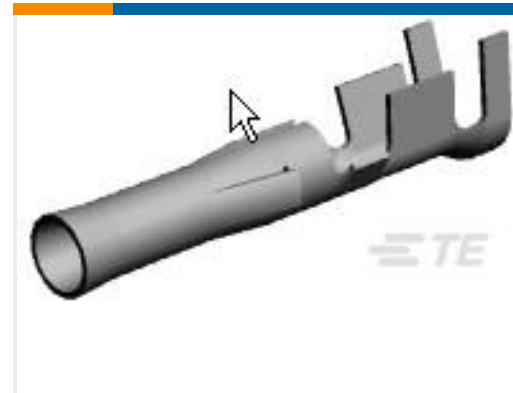
## Customers Also Bought



TE Part #1-1703061-2  
PLUG, 2 CIRCUIT, UNIVERSAL MATE-N-LOK



TE Part #1703062-1  
CAP, 2 CIRCUIT, UNIVERSAL MATE-N-LOK



TE Part #350415-5  
.093 COMM P&S SOK 20-14 AUBR



TE Part #8-2378159-2  
Power Versa-Lock PLUG, 1X2 KEY H



TE Part #1375820-3  
CST-100 II HOUSING 3 POS



TE Part #794270-1  
02P UMNL WIRE SEAL



TE Part #2138558-1  
2P GENERATION Y Cap, Single-Pi



TE Part #1-2350224-2  
SGI 2.0 Plug Housing, 2 Position, Key A



TE Part #2357686-2  
SGI 2.0 Crimp TPA, 2 Position



TE Part #NB20384001  
VERSAFIT-3/16-6-SP

## Documents

### Product Drawings

[SPLICE 1200-2600 .012 NPST](#)

English

### CAD Files

[3D PDF](#)

[3D](#)

[Customer View Model](#)

[ENG\\_CVM\\_CVM\\_42329-1\\_J\\_c-42329-1-j.2d\\_dxf.zip](#)



English

**Customer View Model**

[ENG\\_CVM\\_CVM\\_42329-1\\_J\\_c-42329-1-j.3d\\_igs.zip](#)

English

**Customer View Model**

[ENG\\_CVM\\_CVM\\_42329-1\\_J\\_c-42329-1-j.3d\\_stp.zip](#)

English

By downloading the CAD file I accept and agree to the [Terms and Conditions](#) of use.

---

**Product Specifications**

**Application Specification**

English

---

**Product Environmental Compliance**

[MD\\_42329-1\\_0226201874\\_dmtec](#)

English

[MD\\_42329-1\\_0226201874\\_dmtec](#)

English