

42142-2 ✓ ACTIVE

## SHUR-PLUG 156

TE Internal #: 42142-2

Crimp Wire Pins, Tabs & Ferrules, Shur-Plug, Mating Pin Diameter

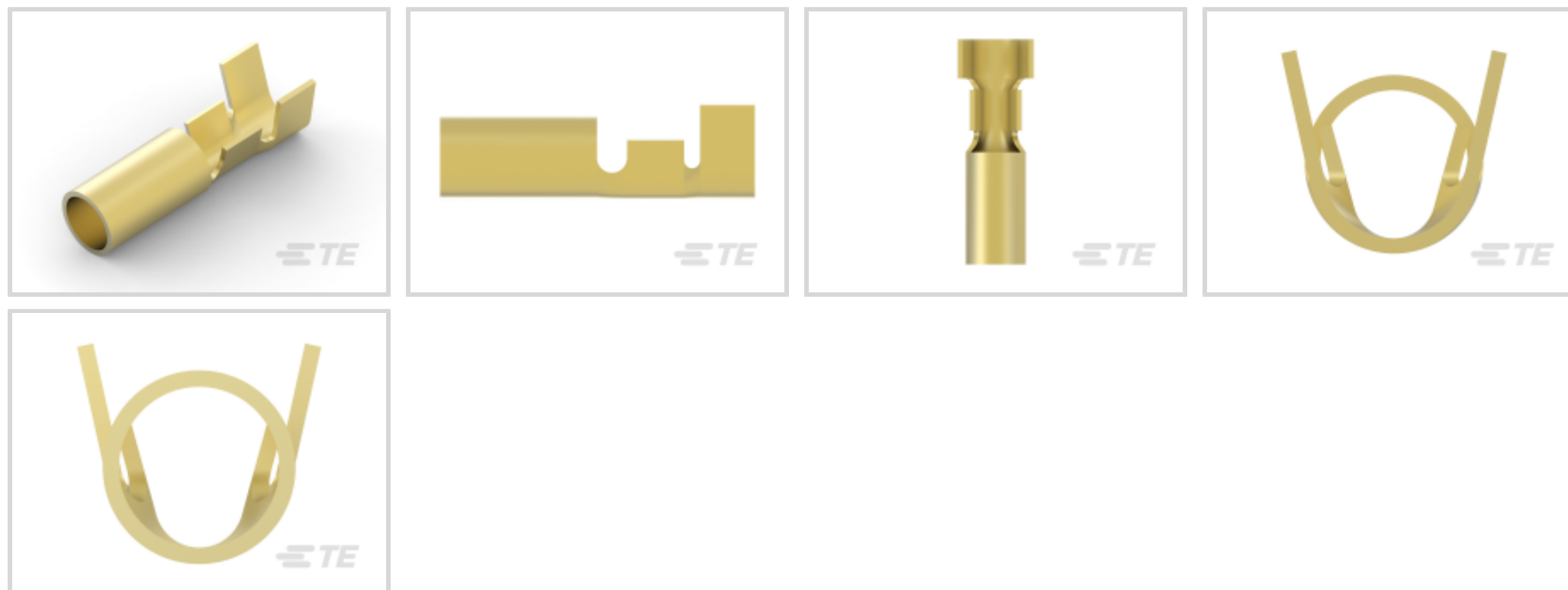
3.96 mm [.156 in], 18 – 14 AWG Wire Size, .8 – 2 mm<sup>2</sup> Wire Size,

SHUR-PLUG 156

[View on TE.com >](#)



Terminals & Splices > Crimp Wire Pins, Tabs & Ferrules



Crimp Wire Terminal Type: **Shur-Plug**

Mating Pin Diameter: **3.96 mm [.156 in]**

Compatible Insulation Diameter Range: **3.3 – 4.44 mm, 4.44 mm [.13 – .174 in, .175 in]**

Wire Size: **.8 – 2 mm<sup>2</sup>**

### Features

#### Product Type Features

Compatible With Discrete Wire Type	Solid, Stranded
------------------------------------	-----------------

#### Configuration Features

Compatible With Wire & Cable Type	Discrete Wire
-----------------------------------	---------------

#### Contact Features

Crimp Wire Terminal Type	Shur-Plug
Mating Pin Diameter	3.96 mm [.156 in]
Barrel Type	Open
Terminal Plating Material	Unplated
Terminal Orientation	Straight

#### Mechanical Attachment

Wire Insulation Support	With
-------------------------	------

#### Dimensions

Compatible Insulation Diameter Range	3.3 – 4.44 mm, 4.44 mm [.13 – .174 in] [.175 in]
Wire Size	1624 – 4106 CMA



Barrel Inside Diameter	2.15 mm, 3.68 mm[.085 in][.145 in]
Terminal Material Thickness	.39 mm[.016 in]
Overall Product Length	17.65 mm[.695 in]

### Usage Conditions

Insulation Option	Uninsulated
Operating Temperature Range	-40 – 85 °C[-40 – 185 °F]

### Packaging Features

Packaging Quantity	12000
Packaging Method	Reel

### Product Compliance

[For compliance documentation, visit the product page on TE.com>](#)

EU RoHS Directive 2011/65/EU	Compliant
EU ELV Directive 2000/53/EC	Compliant
China RoHS 2 Directive MIIT Order No 32, 2016	No Restricted Materials Above Threshold
EU REACH Regulation (EC) No. 1907/2006	Current ECHA Candidate List: JUNE 2023 (235) Candidate List Declared Against: JUNE 2023 (235) Does not contain REACH SVHC
Halogen Content	Low Halogen - Br, Cl, F, I < 900 ppm per homogenous material. Also BFR/CFR/PVC Free
Solder Process Capability	Not applicable for solder process capability

#### Product Compliance Disclaimer

This information is provided based on reasonable inquiry of our suppliers and represents our current actual knowledge based on the information they provided. This information is subject to change. The part numbers that TE has identified as EU RoHS compliant have a maximum concentration of 0.1% by weight in homogenous materials for lead, hexavalent chromium, mercury, PBB, PBDE, DBP, BBP, DEHP, DIBP, and 0.01% for cadmium, or qualify for an exemption to these limits as defined in the Annexes of Directive 2011/65/EU (RoHS2). Finished electrical and electronic equipment products will be CE marked as required by Directive 2011/65/EU. Components may not be CE marked. Additionally, the part numbers that TE has identified as EU ELV compliant have a maximum concentration of 0.1% by weight in homogenous materials for lead, hexavalent chromium, and mercury, and 0.01% for cadmium, or qualify for an exemption to these limits as defined in the Annexes of Directive 2000/53/EC (ELV). Regarding the REACH Regulation, the information TE provides on SVHC in articles for this part number is based on the latest European Chemicals Agency (ECHA) 'Guidance on requirements for substances in articles' posted at this URL: <https://echa.europa.eu/guidance-documents/guidance-on-reach>

### Compatible Parts




TE Part # 60017-3  
RIGHT ANGLE SHUR PLUG REC 20-16  
0.41 BR



TE Part # 62757-1  
225 DIA PIN 18-14 016BR



TE Part # 63925-1  
SHUR PLUG .156 Dia 14-12 AWG  
PTPBR



TE Part # 2150294-1  
OCEAN\_2.0\_APPLICATOR-E-110F180F



TE Part # 2150294-2  
OCEAN\_2.0\_APPLICATOR-E-  
110F180FA



TE Part # 7-2150294-1  
OCEAN\_2.0\_APPLICATOR-E-110F180F



TE Part # 7-2150294-2  
OCEAN\_2.0\_APPLICATOR-E-  
110F180FA



**KIT**  
REPRESENTATION ONLY  
TE Part # 7-2150294-7  
OCEAN\_2.0\_SPARE\_PART\_KIT-  
110F180F




TE Part # 2-2150294-1  
OCEAN\_2.0\_APPLICATOR-E-110F180F

Also in the Series | **SHUR-PLUG 156**



Crimp Wire Pins, Tabs & Ferrules(30)



Special Purpose Terminals(1)

Customers Also Bought



TE Part #1394026-1  
FLA-STE-GEH9,5MM 2P



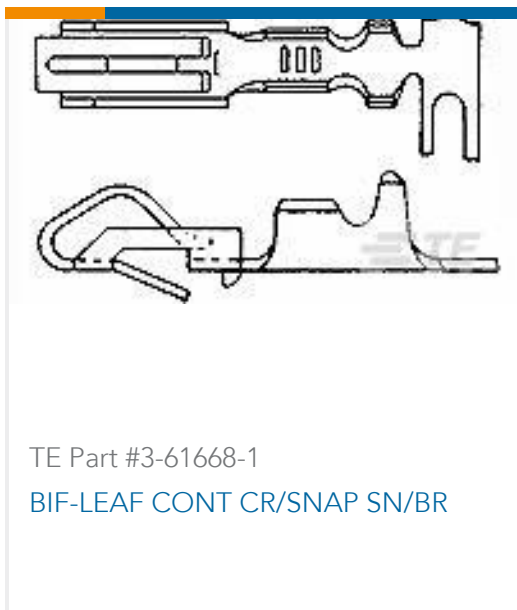
TE Part #5525DSO-DB001DS  
1PSID DIGITAL PRESSURE SENSOR



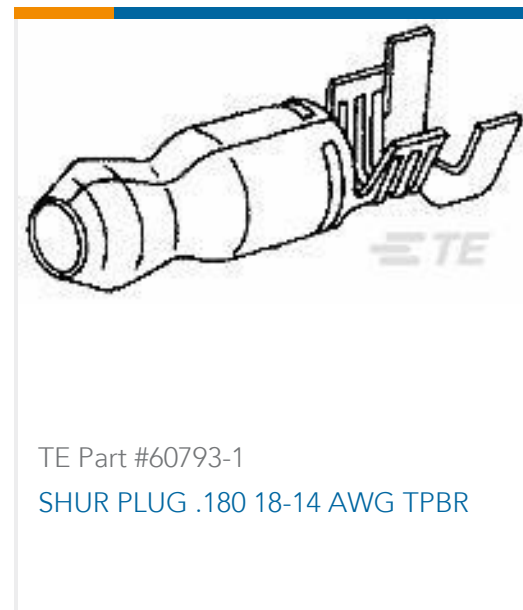
TE Part #42751-2  
RING CRIMP 16-14 AWG TPBR



TE Part #60798-4  
SHUR PLUG 180 RECEPTACLE 18-14  
AWG TPBR



TE Part #3-61668-1  
BIF-LEAF CONT CR/SNAP SN/BR



TE Part #60793-1  
SHUR PLUG .180 18-14 AWG TPBR



TE Part #42868-2  
SHUR PLUG 180 RECEPTACLE 14-10  
AWG TPBR



TE Part #3-1393144-3  
K10P-11AT5-120=K10/K20



TE Part #1437597-1  
2SKF131AEL01=NON UL 110VAC



TE Part #60487-2  
187 FASTON REC 18-16 AWG TPBR

## Documents

### Product Drawings

#### SHUR PLUG TERMINAL 18-14 AWG BR

English

### CAD Files

#### 3D PDF

3D

#### Customer View Model

[ENG\\_CVM\\_CVM\\_42142-2\\_BC.2d\\_dxf.zip](#)

English

#### Customer View Model

[ENG\\_CVM\\_CVM\\_42142-2\\_BC.3d\\_igs.zip](#)

English

#### Customer View Model

[ENG\\_CVM\\_CVM\\_42142-2\\_BC.3d\\_stp.zip](#)

English

By downloading the CAD file I accept and agree to the [Terms and Conditions](#) of use.

### Product Specifications

#### Application Specification

English

### Product Environmental Compliance

#### TE Material Declaration

English