

42041 ✓ ACTIVE

FASTON | FASTON 250

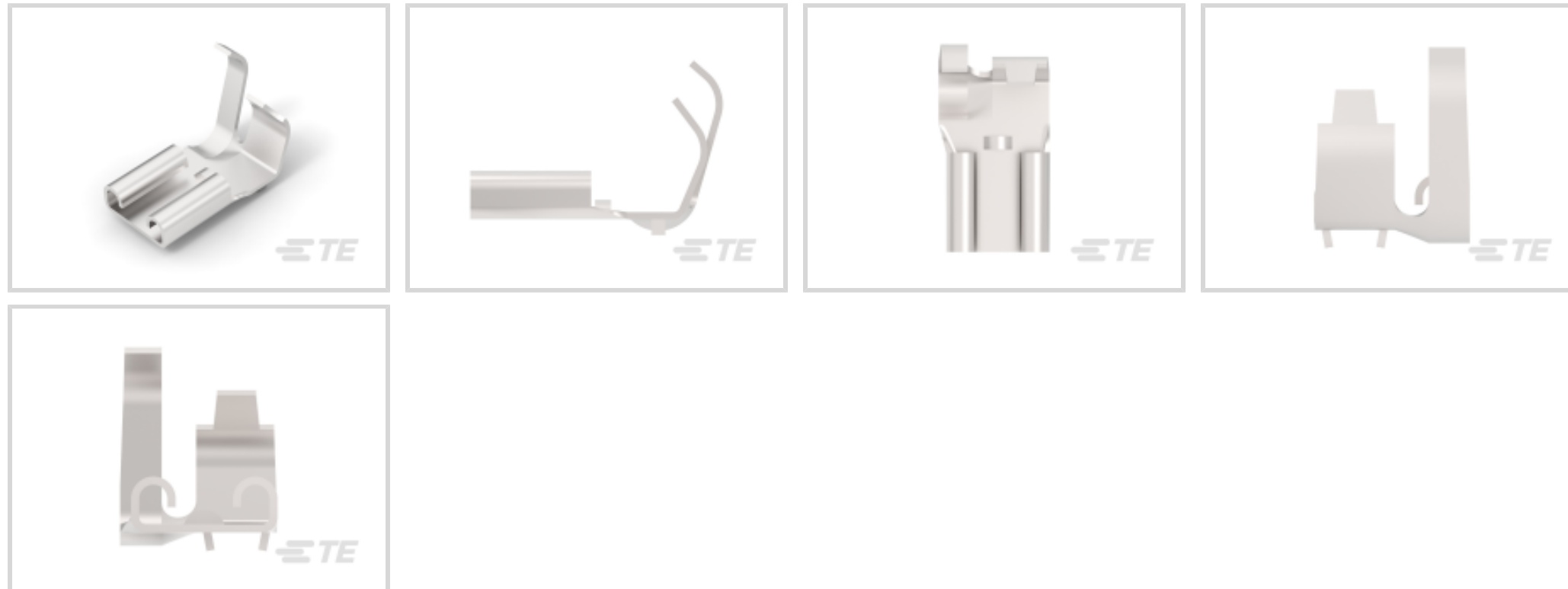
TE Internal #: 42041

Quick Disconnects, Receptacle, 18 – 12 AWG Wire Size, .82 – 3.31 mm<sup>2</sup> Wire Size, Mating Tab Width 6.35 mm [.25 in], Flag, Phosphor Bronze, FASTON 250

[View on TE.com >](#)



Terminals & Splices > Quick Disconnects



Quick Disconnect Terminal Type: **Receptacle**

Wire Size: **.82 – 3.31 mm<sup>2</sup>**

Mating Tab Width: **6.35 mm [.25 in]**

Mating Tab Thickness: **.81 mm [.032 in]**

## Features

### Product Type Features

Insertion Force	Normal
-----------------	--------

### Configuration Features

Connection Capacity	Single
---------------------	--------

Compatible With Wire & Cable Type	Discrete Wire
-----------------------------------	---------------

### Contact Features

Quick Disconnect Terminal Type	Receptacle
--------------------------------	------------

Mating Tab Width	6.35 mm [.25 in]
------------------	------------------

Mating Tab Thickness	.81 mm [.032 in]
----------------------	------------------

Terminal Orientation	Flag
----------------------	------

Contact Base Material	Phosphor Bronze
-----------------------	-----------------

Terminal Plating Material	Silver
---------------------------	--------

Crimp Type	Tab-Lok
------------	---------

Barrel Type	Open
-------------	------

### Termination Features



Product Terminates To	Wire & Cable
-----------------------	--------------

### Mechanical Attachment

Wire Insulation Support	With
Mating Retention Type	Dimple

### Dimensions

Terminal Material Thickness	.46 mm[.018 in]
Product Length	17.02 mm[.67 in]
Compatible Insulation Diameter Range	2.79 – 5.33 mm[.11 – .21 in]
Wire Size	.82 – 3.31 mm <sup>2</sup>

### Usage Conditions

Insulation Option	Uninsulated
Operating Temperature Range	-40 – 130 °C[-40 – 266 °F]

### Industry Standards

Agency/Standard	CSA
-----------------	-----

### Packaging Features

Packaging Quantity	4000
Packaging Method	Strip/Reel

### Other

Line	Premier
------	---------

## Product Compliance

[For compliance documentation, visit the product page on TE.com>](#)

EU RoHS Directive 2011/65/EU	Compliant
EU ELV Directive 2000/53/EC	Compliant
China RoHS 2 Directive MIIT Order No 32, 2016	No Restricted Materials Above Threshold
EU REACH Regulation (EC) No. 1907/2006	Current ECHA Candidate List: JUNE 2023 (235) Candidate List Declared Against: JUNE 2023 (235) Does not contain REACH SVHC
Halogen Content	Low Halogen - Br, Cl, F, I < 900 ppm per homogenous material. Also BFR/CFR/PVC Free
Solder Process Capability	Not applicable for solder process capability

## Product Compliance Disclaimer

This information is provided based on reasonable inquiry of our suppliers and represents our current actual knowledge based on the information they provided. This information is subject to change. The part numbers that TE has identified as EU RoHS compliant have a maximum concentration of 0.1% by weight in homogenous materials for lead, hexavalent chromium, mercury, PBB, PBDE, DBP, BBP, DEHP, DIBP, and 0.01% for cadmium, or qualify for an exemption to these limits as defined in the Annexes of Directive 2011/65/EU (RoHS2). Finished electrical and electronic equipment products will be CE marked as required by Directive 2011/65/EU. Components may not be CE marked. Additionally, the part numbers that TE has identified as EU ELV compliant have a maximum concentration of 0.1% by weight in homogenous materials for lead, hexavalent chromium, and mercury, and 0.01% for cadmium, or qualify for an exemption to these limits as defined in the Annexes of Directive 2000/53/EC (ELV). Regarding the REACH Regulation, the information TE provides on SVHC in articles for this part number is based on the latest European Chemicals Agency (ECHA) 'Guidance on requirements for substances in articles' posted at this URL: <https://echa.europa.eu/guidance-documents/guidance-on-reach>

## Compatible Parts

 <p>TE Part # 1852633-1 EAPOHB160TABLOCK1800 LM/G- HINGE BAR</p>	 <p>TE Part # 1855041-1 HINDGE BAR F.A. EMPO160TAB1800 LM &amp; G</p>	 <p>TE Part # 62056-2 250 FASTON FLAG REC 18-12 AWG SPBZ</p>	 <p>TE Part # 687395-5 M HBEAPR160T K</p>
 <p>TE Part # 687395-6 HDM HBEAPR160T1800TSA</p>	 <p>TE Part # 687395-8 HINGE BAR 9EAPR160T1800 G</p>	 <p><b>KIT</b> REPRESENTATION ONLY</p> <p>TE Part # 7-1855041-7 SPARE PART KIT</p>	 <p>TE Part # 1596696-2 HB APPL,AOL</p>
 <p>TE Part # 1596697-5 HB APPL,AOM</p>	 <p>TE Part # 2088156-2 MINI APPLICATOR, HINGE BAR END FEED</p>	 <p>TE Part # 565504-1 STD HBEMPR160T1800K</p>	 <p>TE Part # 565504-3 STD HBEMPR160T2200K</p>

Also in the Series | **FASTON 250**



Compression Connectors(4)



Crimp Terminal Housings(142)



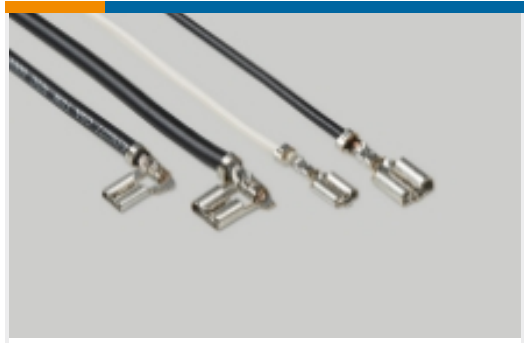
Insertion & Extraction Tools(6)



Magnet Wire Terminals(1)



PCB Terminals(135)

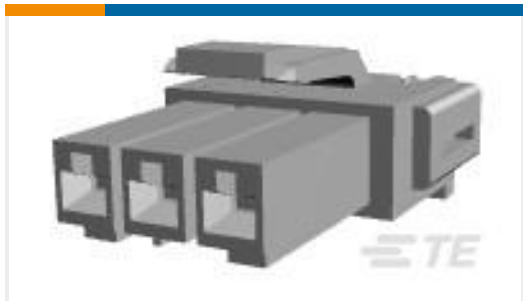


Quick Disconnects(445)



Splices(4)

## Customers Also Bought



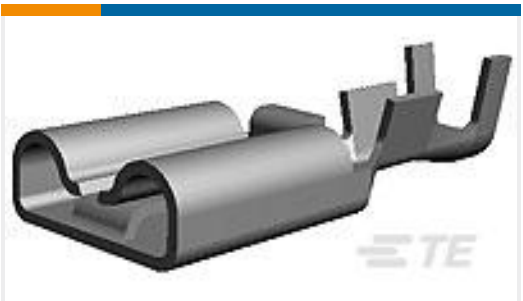
TE Part #177899-1  
POWER DBL LOCK PLUG HSG 3P



TE Part #1-1123722-8  
3.96 EP PLUG HSG 8P(NATURAL)



TE Part #1-1123823-1  
EP IP PLUG NATURAL



TE Part #175024-1  
250 PL EX REC. 15-10AWG PTBR



TE Part #175057-1  
250 PL EX FLAG REC. 18-12AWG PTBR



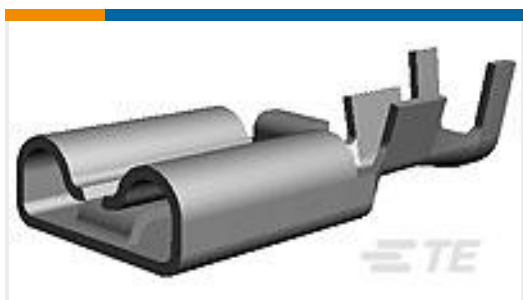
TE Part #41802  
250 FASTON FLAG REC 18-12 AWG TPBR



TE Part #3-1123823-1  
EP IP PLUG BLUE



TE Part #1376477-4  
2.5MM PITCH SIGNAL MATE CONN



TE Part #175022-1  
250 PL EX REC. 18-14AWG PTBR

## Documents





**Product Drawings**

[250 FASTON FLAG REC 18-12 AWG SPBZ](#)

English

---

**CAD Files**

[3D PDF](#)

3D

**Customer View Model**

[ENG\\_CVM\\_CVM\\_42041\\_AK\\_c-42041-ak.2d\\_dxf.zip](#)

English

**Customer View Model**

[ENG\\_CVM\\_CVM\\_42041\\_AK\\_c-42041-ak.3d\\_igs.zip](#)

English

**Customer View Model**

[ENG\\_CVM\\_CVM\\_42041\\_AK\\_c-42041-ak.3d\\_stp.zip](#)

English

By downloading the CAD file I accept and agree to the [Terms and Conditions](#) of use.

---

**Datasheets & Catalog Pages**

[82004 FASTON Terminals \(Insulated and Uninsulated\) Catalog - FASTON Receptacles Section](#)

English

---

**Product Specifications**

[Application Specification](#)

English

---

**Product Environmental Compliance**

[Product Compliance](#)

English

[Product Compliance](#)

English

---

**Agency Approvals**

[UL Report](#)

English