

41900 ✓ ACTIVE

AMPLIVAR

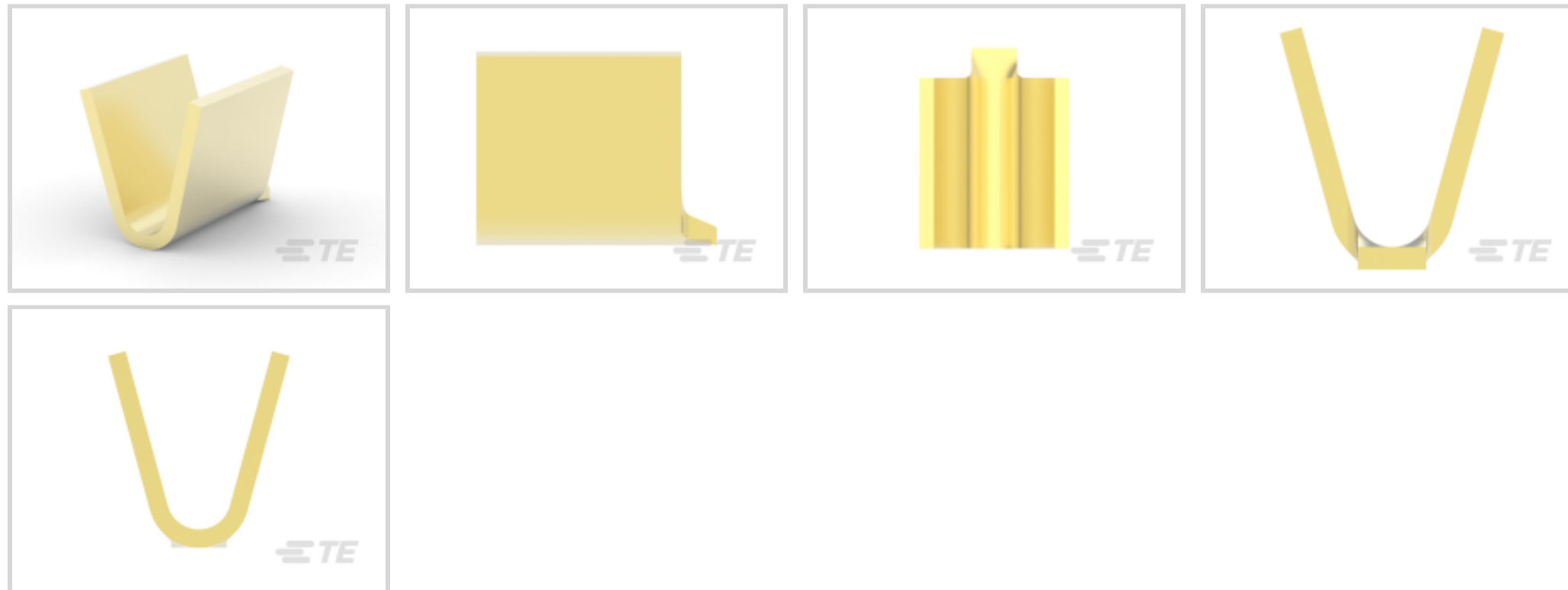
TE Internal #: 41900

Splices, Thru Splice, 15.5 – 12 AWG Wire Size, 1.54 – 3.46 mm² Wire Size, Splice Capacity 3, Serrated, AMPLIVAR

[View on TE.com >](#)



Terminals & Splices > Splices



Wire Size: 1.54 – 3.46 mm²

Sealable: No

Splice Capacity: 3

Splice Features: Serrated

Features

Product Type Features

Sealable	No
Splice Type	Thru Splice
Compatible With Discrete Wire Type	Magnet Wire, Solid

Configuration Features

Strip Orientation	End Feed
Splice Capacity	3
Number of Serrations	5

Electrical Characteristics

Operating Voltage	250 V
-------------------	-------

Body Features

Product Weight	.249 g
Splice Features	Serrated

Contact Features

Terminal Plating Material	Tin
Contact Base Material	Brass



Barrel Type	Open
-------------	------

Termination Features

Crimp Width	3.56 mm[.14 in]
-------------	-----------------

Mechanical Attachment

Wire Insulation Support	Without
-------------------------	---------

Dimensions

Wire Size	3000 – 7000 CMA
-----------	-----------------

Barrel Inside Diameter	1.77 mm[.07 in]
------------------------	-----------------

Terminal Material Thickness	.51 mm[.02 in]
-----------------------------	----------------

Product Length	5.72 mm[.225 in]
----------------	------------------

Usage Conditions

Insulation Option	Uninsulated
-------------------	-------------

Operating Temperature Range	-65 – 150 °C[-85 – 302 °F]
-----------------------------	----------------------------

Operation/Application

Compatible With Wire Base Material	Copper
------------------------------------	--------

Industry Standards

Government Qualified Splice	No
-----------------------------	----

Packaging Features

Packaging Quantity	20000
--------------------	-------

Packaging Method	Strip
------------------	-------

Product Compliance

[For compliance documentation, visit the product page on TE.com>](#)

EU RoHS Directive 2011/65/EU	Compliant
------------------------------	-----------

EU ELV Directive 2000/53/EC	Compliant
-----------------------------	-----------

China RoHS 2 Directive MIIT Order No 32, 2016	No Restricted Materials Above Threshold
---	---

EU REACH Regulation (EC) No. 1907/2006	Current ECHA Candidate List: JUNE 2023 (235) Candidate List Declared Against: JUNE 2023 (235) Does not contain REACH SVHC
--	---

Halogen Content	Low Halogen - Br, Cl, F, I < 900 ppm per homogenous material. Also BFR/CFR/PVC Free
-----------------	---

Solder Process Capability

Not applicable for solder process capability

Product Compliance Disclaimer

This information is provided based on reasonable inquiry of our suppliers and represents our current actual knowledge based on the information they provided. This information is subject to change. The part numbers that TE has identified as EU RoHS compliant have a maximum concentration of 0.1% by weight in homogenous materials for lead, hexavalent chromium, mercury, PBB, PBDE, DBP, BBP, DEHP, DIBP, and 0.01% for cadmium, or qualify for an exemption to these limits as defined in the Annexes of Directive 2011/65/EU (RoHS2). Finished electrical and electronic equipment products will be CE marked as required by Directive 2011/65/EU. Components may not be CE marked. Additionally, the part numbers that TE has identified as EU ELV compliant have a maximum concentration of 0.1% by weight in homogenous materials for lead, hexavalent chromium, and mercury, and 0.01% for cadmium, or qualify for an exemption to these limits as defined in the Annexes of Directive 2000/53/EC (ELV). Regarding the REACH Regulation, the information TE provides on SVHC in articles for this part number is based on the latest European Chemicals Agency (ECHA) 'Guidance on requirements for substances in articles' posted at this URL: <https://echa.europa.eu/guidance-documents/guidance-on-reach>

Compatible Parts



TE Part # 63562-1
SPLICE 10400-22900 030TPBR



TE Part # 140837-2
SPLICE AMPLIVAR



TE Part # 1855567-1
HDM/FA SAPR.140F G/LM CUT
PIGTAIL SPLICE



TE Part # 2-2150233-2
OCEAN-2.0-APPLICATOR-E-140F



TE Part # 2150233-2
OCEAN-2.0-APPLICATOR-E-140F



TE Part # 2335350-1
SYSTEM, INVERTED SPLICE



TE Part # 2335350-2
SYSTEM, INVERTED SPLICE



TE Part # 2335350-3
SYSTEM, INVERTED SPLICE



TE Part # 7-2150233-2
OCEAN-2.0-APPLICATOR-E-140F



KIT
REPRESENTATION ONLY

TE Part # 7-2150233-7
OCEAN_2.0_SPARE_PART_KIT-140F

Also in the Series | **AMPLIVAR**



Crimp Wire Pins, Tabs & Ferrules(5)



Magnet Wire Terminals(4)



PCB Terminals(1)



Quick Disconnects(41)



Ring Terminals(28)

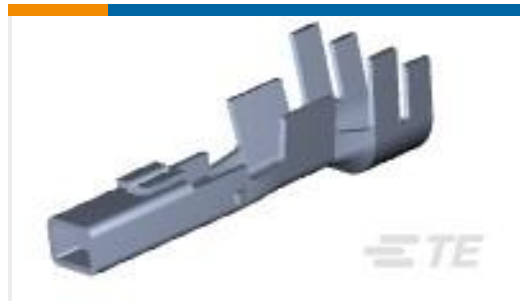


Splices(77)

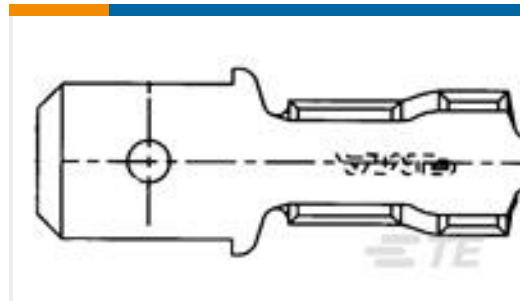
Customers Also Bought



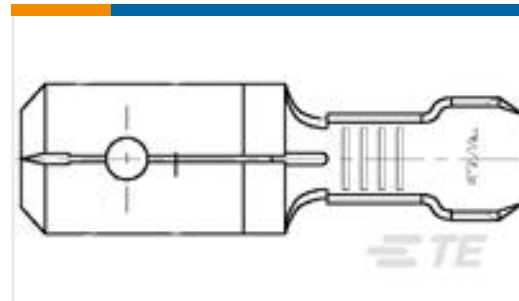
TE Part #1-487545-7
020 HOUSING FFC RCPT 050CL SR



TE Part #177915-2
AMP POWER DBL LOCK REC



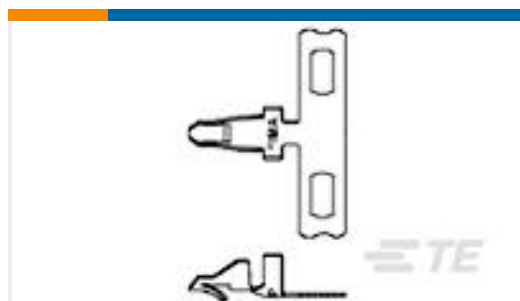
TE Part #41412
FASTON 250(6.3MM) TAB 18-14 AWG TPBR



TE Part #61281-3
250 FASTON TAB 14-12 AWG TPBR



TE Part #42100-2
FF 250 REC 18-14AWG TPBR



TE Part #3-350566-1
MINI AMP-IN 22-18 PTLF/PHBZ



TE Part #62044-1
MIN AMVAR SPL 480-1700 016BR



TE Part #1-1703648-1
7POS, MIXED,TAB HSG,ASSY,CODA



TE Part #964269-5
TAB A 1.6x0.6 CONTACT CF SWS Ag



TE Part #626035-2
RING TONGUE 4.0-6.0 MM2 0.81 X 16.25 BR

Documents



Product Drawings

SPLC AMVAR 3000-7000 020TPBR

English

CAD Files

3D PDF

3D

Customer View Model

[ENG_CVM_CVM_41900_S_c-41900-s.2d_dxf.zip](#)

English

Customer View Model

[ENG_CVM_CVM_41900_S_c-41900-s.3d_igs.zip](#)

English

Customer View Model

[ENG_CVM_CVM_41900_S_c-41900-s.3d_stp.zip](#)

English

By downloading the CAD file I accept and agree to the [Terms and Conditions](#) of use.

Datasheets & Catalog Pages

1654742_HOUSEHOLD_APPLIANCES_RAST5

English

Magnet Wire Terminals & Splices

English

Product Specifications

Application Specification

English

AMPLIVAR 5 Serration Thru Splice

English

No title

Japanese

Application Specification

Japanese

No title

English

Application Specification

English

Product Environmental Compliance

Product Compliance Document

English

Product Compliance Document

English