

41899 ✓ ACTIVE

AMPLIVAR

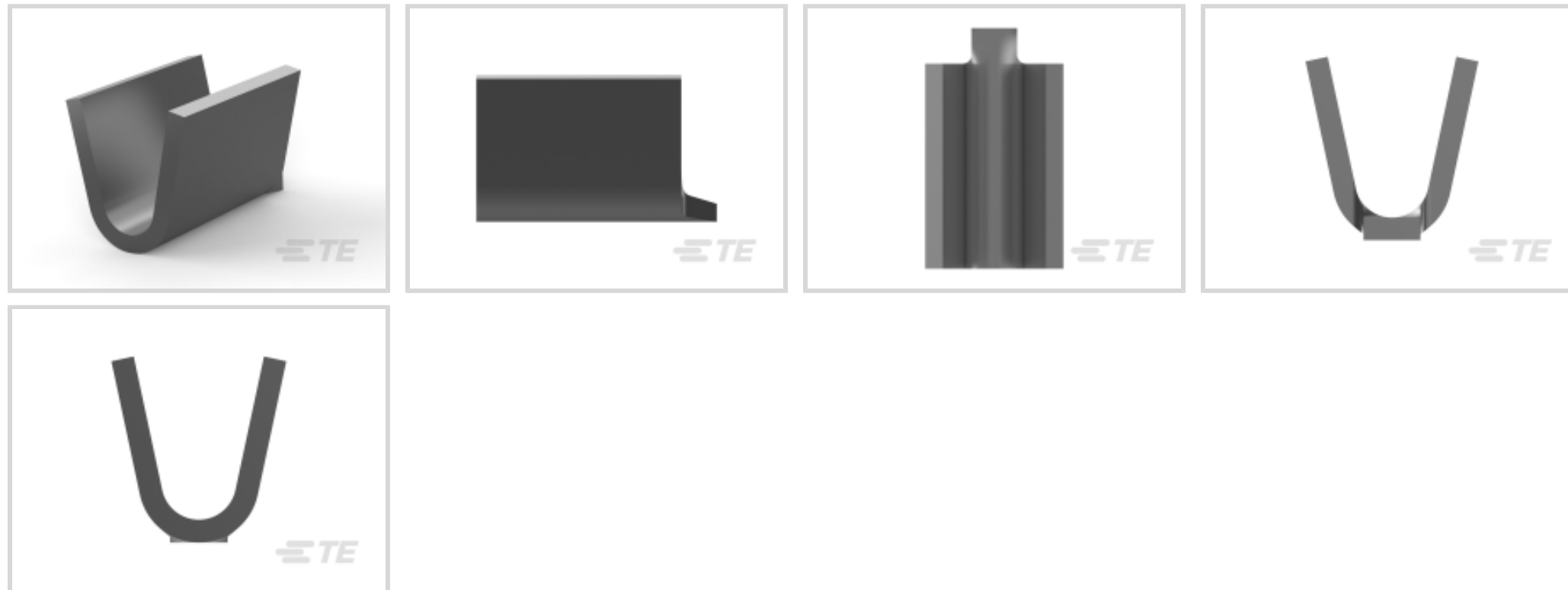
TE Internal #: 41899

Splices, Thru Splice, 18.5 – 13.5 AWG Wire Size, .8 – 2.5 mm<sup>2</sup> Wire Size, Splice Capacity 3, Serrated, AMPLIVAR

[View on TE.com >](#)



Terminals & Splices > Splices



Wire Size: .8 – 2.5 mm<sup>2</sup>

Sealable: No

Splice Capacity: 3

Splice Features: Serrated

### Features

#### Product Type Features

Sealable	No
Splice Type	Thru Splice
Compatible With Discrete Wire Type	Magnet Wire, Solid

#### Configuration Features

Strip Orientation	End Feed
Splice Capacity	3
Number of Serrations	5

#### Electrical Characteristics

Operating Voltage	250 V
-------------------	-------

#### Body Features

Product Weight	.195 g
Splice Features	Serrated

#### Contact Features

Terminal Plating Material	Tin
Contact Base Material	Brass



Barrel Type	Open
-------------	------

### Termination Features

Crimp Width	2.79 mm[.11 in]
-------------	-----------------

### Mechanical Attachment

Wire Insulation Support	Without
-------------------------	---------

### Dimensions

Wire Size	1500 – 5000 CMA
Barrel Inside Diameter	1.66 mm[.065 in]
Terminal Material Thickness	.51 mm[.02 in]
Product Length	5.72 mm[.225 in]

### Usage Conditions

Insulation Option	Uninsulated
Operating Temperature Range	-65 – 150 °C[-85 – 302 °F]

### Operation/Application

Compatible With Wire Base Material	Copper
------------------------------------	--------

### Industry Standards

Government Qualified Splice	No
-----------------------------	----

### Packaging Features

Packaging Quantity	30000
Packaging Method	Strip

### Product Compliance

[For compliance documentation, visit the product page on TE.com>](#)

EU RoHS Directive 2011/65/EU	Compliant
EU ELV Directive 2000/53/EC	Compliant
China RoHS 2 Directive MIIT Order No 32, 2016	No Restricted Materials Above Threshold
EU REACH Regulation (EC) No. 1907/2006	Current ECHA Candidate List: JUNE 2023 (235) Candidate List Declared Against: JUNE 2023 (235) Does not contain REACH SVHC
Halogen Content	Low Halogen - Br, Cl, F, I < 900 ppm per homogenous material. Also BFR/CFR/PVC Free

Solder Process Capability

Not applicable for solder process capability

Product Compliance Disclaimer

This information is provided based on reasonable inquiry of our suppliers and represents our current actual knowledge based on the information they provided. This information is subject to change. The part numbers that TE has identified as EU RoHS compliant have a maximum concentration of 0.1% by weight in homogenous materials for lead, hexavalent chromium, mercury, PBB, PBDE, DBP, BBP, DEHP, DIBP, and 0.01% for cadmium, or qualify for an exemption to these limits as defined in the Annexes of Directive 2011/65/EU (RoHS2). Finished electrical and electronic equipment products will be CE marked as required by Directive 2011/65/EU. Components may not be CE marked. Additionally, the part numbers that TE has identified as EU ELV compliant have a maximum concentration of 0.1% by weight in homogenous materials for lead, hexavalent chromium, and mercury, and 0.01% for cadmium, or qualify for an exemption to these limits as defined in the Annexes of Directive 2000/53/EC (ELV). Regarding the REACH Regulation, the information TE provides on SVHC in articles for this part number is based on the latest European Chemicals Agency (ECHA) 'Guidance on requirements for substances in articles' posted at this URL: <https://echa.europa.eu/guidance-documents/guidance-on-reach>

## Compatible Parts



TE Part # 63562-1  
SPLICE 10400-22900 030TPBR



TE Part # 2326072-1  
SYSTEM, INVERTED SPLICE



TE Part # 2326072-2  
SYSTEM, INVERTED SPLICE



TE Part # 2326072-3  
APPLICATOR, INVERTED SPLICE



TE Part # 42192-2  
SPLC AMVAR 600-3000 020TPBR



KIT  
TE Part # 7-2326072-7  
CRIMP TOOLING KIT


## Also in the Series | AMPLIVAR




Crimp Wire Pins, Tabs & Ferrules(5)



Magnet Wire Terminals(4)



PCB Terminals(1)



Quick Disconnects(41)

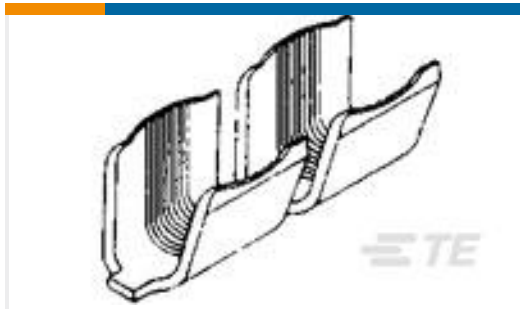


Ring Terminals(28)



Splices(77)

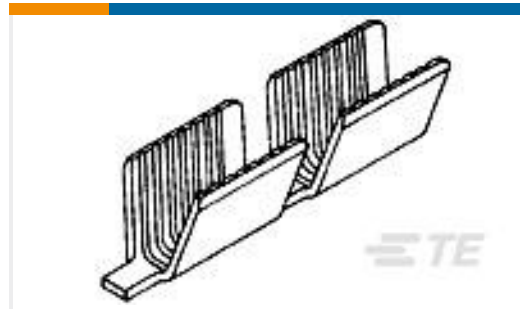
## Customers Also Bought



TE Part #41770  
SPLC AMVAR 7000-13000 BR



TE Part #40955  
RING 20-16 AWG .0295 X .390 TPBR



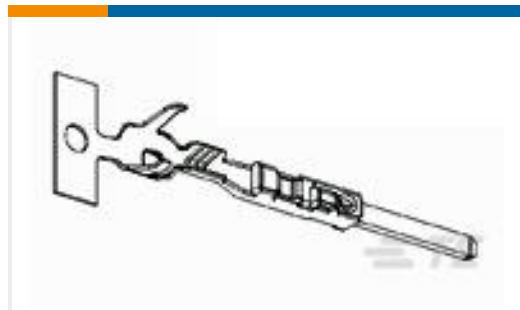
TE Part #62040-2  
SPLC AMVAR 1500-5000 .020BR



TE Part #173063-2  
.070 ECONOSEAL 2P CAP HSG



TE Part #347887-3  
2 WAY JUNIOR TIMER CONN.



TE Part #2141116-3  
MCON 1.2 CB TAB SWS AG



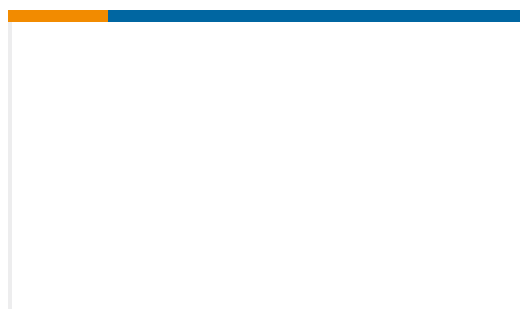
TE Part #61868-1  
RING CRIMP 10-6 AWG TPBR



TE Part #1-1633305-8  
CRIMPER, WIRE PREMIUM



**CRIMPER** REPRESENTATION ONLY  
TE Part #2-1803019-8  
CRIMPER, INSULATION O



TE Part #16916-1  
SWITCH,TOGGLE

## Documents

### Product Drawings

[SPL AMVAR 1500-5000 020TPBR](#)

English

### CAD Files

[3D PDF](#)

[3D](#)

### Customer View Model

[ENG\\_CVM\\_CVM\\_41899\\_S\\_c-41899-s.2d\\_dxf.zip](#)



English

**Customer View Model**

[ENG\\_CVM\\_CVM\\_41899\\_S\\_c-41899-s.3d\\_igs.zip](#)

English

**Customer View Model**

[ENG\\_CVM\\_CVM\\_41899\\_S\\_c-41899-s.3d\\_stp.zip](#)

English

By downloading the CAD file I accept and agree to the [Terms and Conditions](#) of use.

---

**Datasheets & Catalog Pages**

[1654742\\_HOUSEHOLD\\_APPLIANCES\\_RAST5](#)

English

**Magnet Wire Terminals & Splices**

English

---

**Product Specifications**

**Application Specification**

English

**AMPLIVAR 5 Serration Thru Splice**

English

**No title**

Japanese

**Application Specification**

Japanese

**No title**

English

**Application Specification**

English

---

**Product Environmental Compliance**

**Product Compliance**

English

**Product Compliance**

English