

41411 ✓ ACTIVE

FASTON | FASTON 250

TE Internal #: 41411

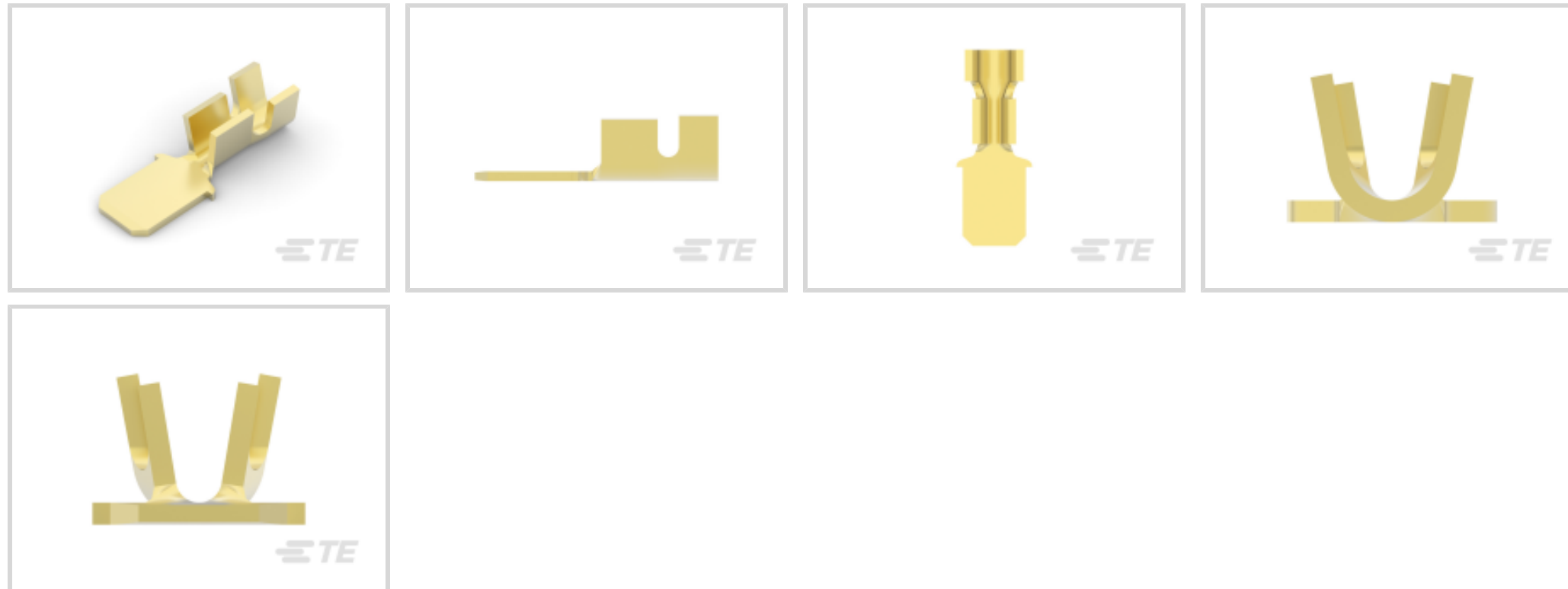
Quick Disconnects, Tab, 18 – 14 AWG Wire Size, .82 – 2.08 mm²

Wire Size, 1624 – 4107 CMA Wire Size, Mating Tab Width 6.35 mm [.25 in], FASTON 250

[View on TE.com >](#)



Terminals & Splices > Quick Disconnects



Quick Disconnect Terminal Type: **Tab**

Wire Size: **1624 – 4107 CMA**

Mating Tab Width: **6.35 mm [.25 in]**

Features

Configuration Features

Connection Capacity	Single
Compatible With Wire & Cable Type	Discrete Wire

Contact Features

Quick Disconnect Terminal Type	Tab
Mating Tab Width	6.35 mm[.25 in]
Mating Tab Thickness	.81 mm[.032 in]
Terminal Orientation	Straight
Contact Base Material	Brass
Terminal Plating Material	Unplated
Crimp Type	F-Crimp
Barrel Type	Open

Termination Features

Product Terminates To	Wire & Cable
-----------------------	--------------

Dimensions

Wire Size	1624 – 4107 CMA
-----------	-----------------



Usage Conditions

Insulation Option	Uninsulated
Operating Temperature Range	-40 – 110 °C[-40 – 230 °F]

Packaging Features

Packaging Method	Reel
------------------	------

Product Compliance

[For compliance documentation, visit the product page on TE.com>](#)

EU RoHS Directive 2011/65/EU	Compliant
EU ELV Directive 2000/53/EC	Compliant
China RoHS 2 Directive MIIT Order No 32, 2016	No Restricted Materials Above Threshold
EU REACH Regulation (EC) No. 1907/2006	Current ECHA Candidate List: JUNE 2023 (235) Candidate List Declared Against: JUNE 2023 (235) Does not contain REACH SVHC
Halogen Content	Low Halogen - Br, Cl, F, I < 900 ppm per homogenous material. Also BFR/CFR/PVC Free
Solder Process Capability	Not applicable for solder process capability

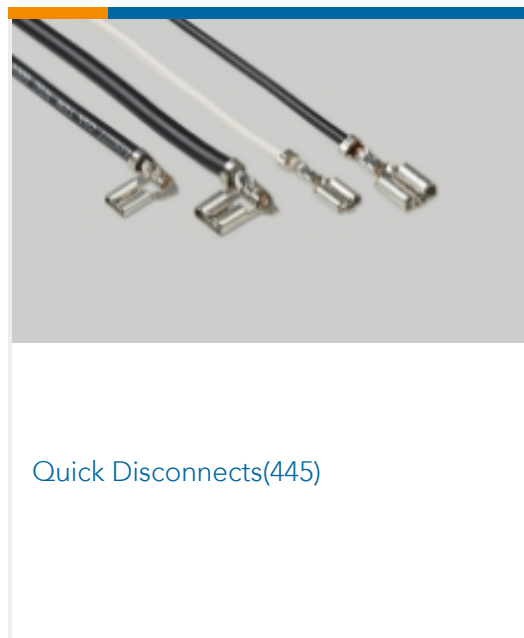
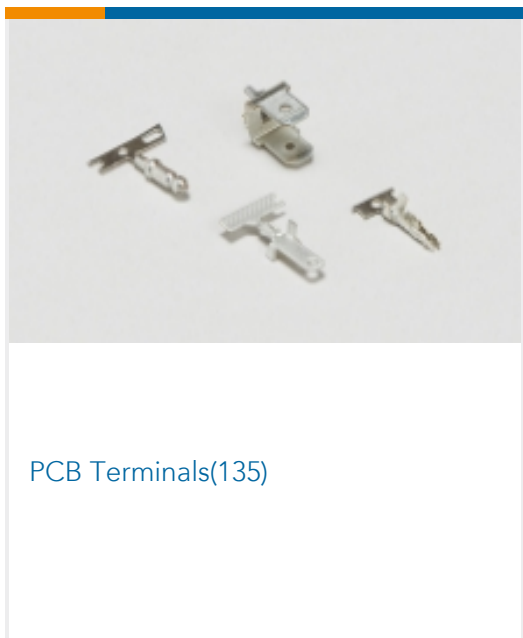
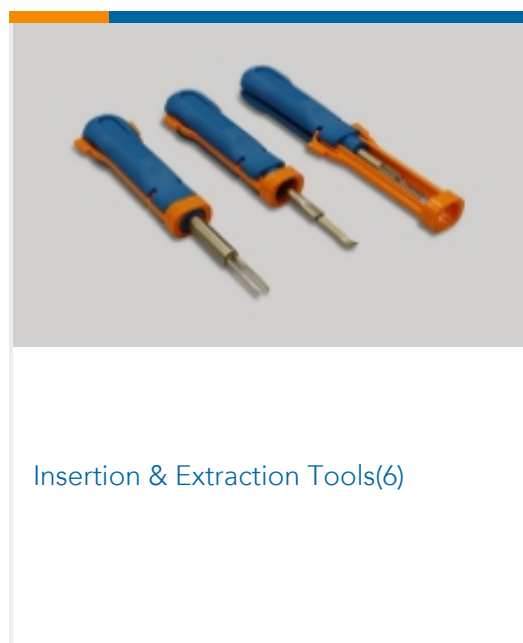
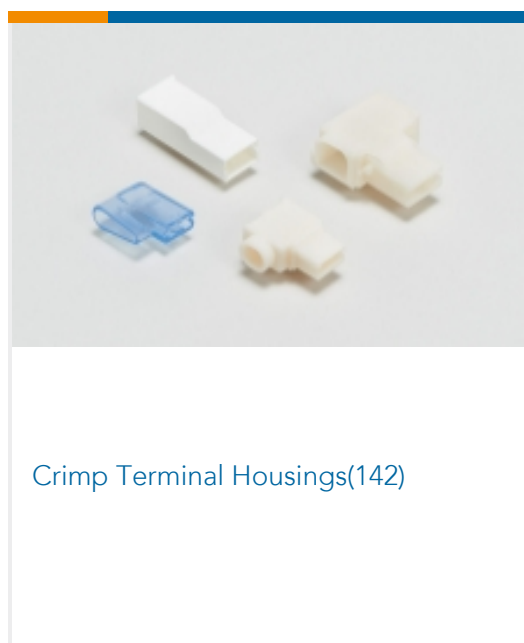
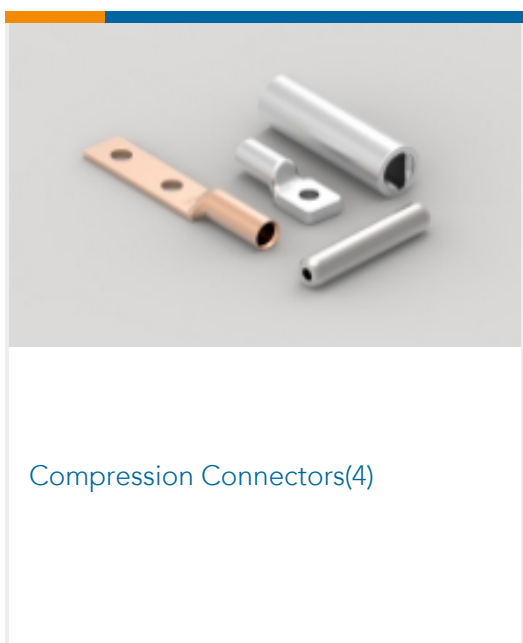
Product Compliance Disclaimer

This information is provided based on reasonable inquiry of our suppliers and represents our current actual knowledge based on the information they provided. This information is subject to change. The part numbers that TE has identified as EU RoHS compliant have a maximum concentration of 0.1% by weight in homogenous materials for lead, hexavalent chromium, mercury, PBB, PBDE, DBP, BBP, DEHP, DIBP, and 0.01% for cadmium, or qualify for an exemption to these limits as defined in the Annexes of Directive 2011/65/EU (RoHS2). Finished electrical and electronic equipment products will be CE marked as required by Directive 2011/65/EU. Components may not be CE marked. Additionally, the part numbers that TE has identified as EU ELV compliant have a maximum concentration of 0.1% by weight in homogenous materials for lead, hexavalent chromium, and mercury, and 0.01% for cadmium, or qualify for an exemption to these limits as defined in the Annexes of Directive 2000/53/EC (ELV). Regarding the REACH Regulation, the information TE provides on SVHC in articles for this part number is based on the latest European Chemicals Agency (ECHA) 'Guidance on requirements for substances in articles' posted at this URL: <https://echa.europa.eu/guidance-documents/guidance-on-reach>

Compatible Parts



Also in the Series | **FASTON 250**



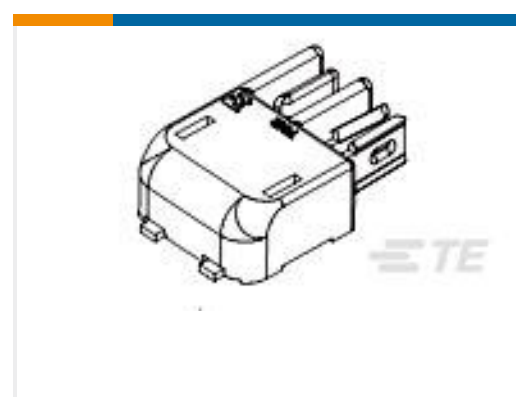
Customers Also Bought



TE Part #2213800-1
COOLSPLICE NEW STANDARD



TE Part #2-34109-2
SOLIS R 22-16 COMM 22-18MIL 10



TE Part #2058703-1
Herm Blade & Recp Assy, 2 Pos,Latch



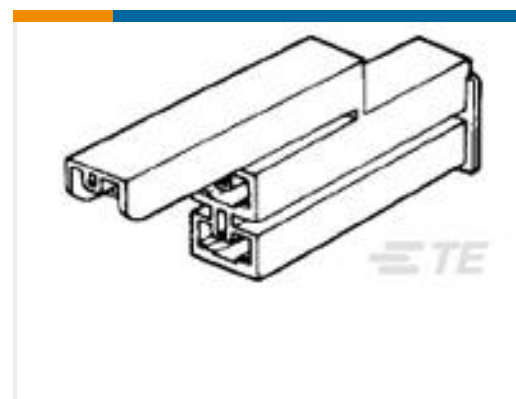
TE Part #2-34113-2
SOLIS R 22-16COMM 22-18MIL 1/4



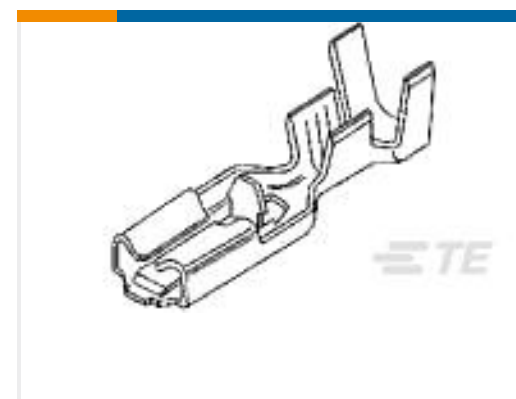
TE Part #2-33458-3
TERMINAL,SOLIS R 12-10 1/4



TE Part #42891-2
SHUR PLUG 180 RECEPTACLE 14-10
AWG TPBR



TE Part #172075-1
POSITIVE LOCK 187 HOUSING
RECEPTACLE



TE Part #63097-1
250 PL MKII REC. 18-14AWG TPBR



TE Part #HDP24-24-21PE-L015
REC, 21P, BLK, E, THD, 12/16, P



TE Part #2-33461-2
TERMINAL,SOLIS R 8 1/4

Documents

Product Drawings

250 FASTON,TAB,18-14 AWG,BR

English

CAD Files

3D PDF

3D

Customer View Model

[ENG_CVM_CVM_41411_AJ.2d_dxf.zip](#)

English

Customer View Model

[ENG_CVM_CVM_41411_AJ.3d_igs.zip](#)

English

Customer View Model

[ENG_CVM_CVM_41411_AJ.3d_stp.zip](#)

English

By downloading the CAD file I accept and agree to the [Terms and Conditions](#) of use.

Datasheets & Catalog Pages



FASTON Tabs

English

Product Environmental Compliance

[MD_41411_010920151644_dmtec](#)

English

[MD_41411_010920151644_dmtec](#)

English

Agency Approvals

[Agency Approval Document](#)

English