

413985-1 ✓ ACTIVE

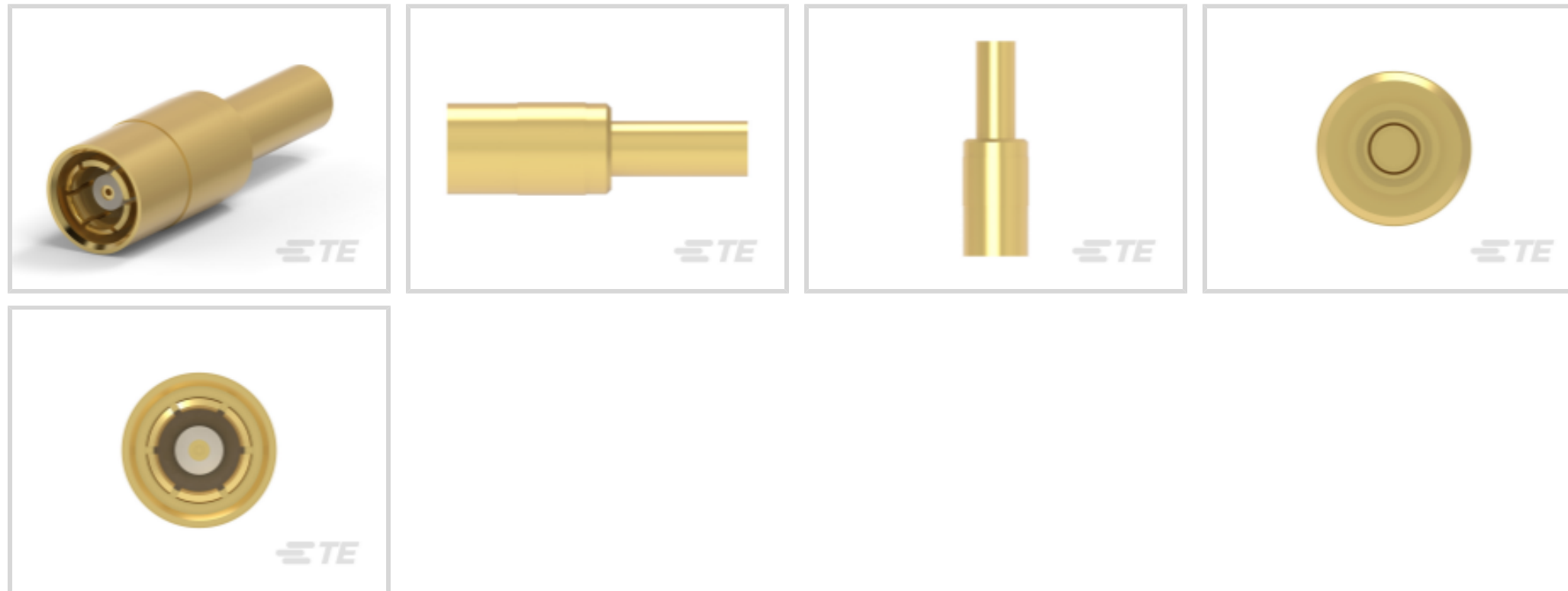
TE Internal #: 413985-1

SMB RF Interface, Plug, 50 Ω , RG 316 / RG 188 / RG 174, Snap-Fit, 4 GHz Operating Frequency, Cable-to-Cable, 1 Position, Wire & Cable

[View on TE.com >](#)



Connectors > RF Connectors > Coax Connectors > SMB Connector: Plug, Mated Outer Dia. 4.75mm, 50 Ohm



RF Interface: **SMB**

RF Connector Style: **Plug**

RF Connector Mated Outer Diameter (Approximate): **4.75 mm [.187 in]**

Impedance: **50 Ω**

Compatible With RF Cable Type: **RG 174, RG 188, RG 316**

[All SMB Connector: Plug, Mated Outer Dia. 4.75mm, 50 Ohm \(20\)](#)

Features

Product Type Features

Connector Shape	Circular
Connector Product Type	Connector Assembly
RF Interface	SMB
RF Connector Style	Plug
Compatible With RF Cable Type	RG 174, RG 188, RG 316
Connector System	Cable-to-Cable
Sealable	No
Connector & Contact Terminates To	Wire & Cable

Configuration Features

Number of Positions	1
Number of Coaxial Contacts	1

Electrical Characteristics

Impedance	50 Ω
-----------	-------------

Body Features

Body Underplating Material	Nickel
Cable Connector Orientation	Straight
Body Material	Brass
Body Plating Material	Gold

Contact Features

RF Connector Center Contact Underplating Material	Nickel
RF Connector Center Contact Plating Material	Gold
RF Connector Center Contact Material	Beryllium Copper

Termination Features

Termination Method to Wire & Cable	Crimp
------------------------------------	-------

Mechanical Attachment

RF Connector Coupling Mechanism	Snap-Fit
Connector Mounting Type	Cable Mount (Free-Hanging)
RF Contact Captivation Method	Mechanical
Detent	Without

Dimensions

RF Connector Mated Outer Diameter (Approximate)	4.75 mm [.187 in]
---	-------------------

Usage Conditions

Operating Temperature Range	-65 – 165 °C [-85 – 329 °F]
-----------------------------	-----------------------------

Operation/Application

Operating Frequency	4 GHz
---------------------	-------

Packaging Features

Packaging Method	Carton
------------------	--------

Other

Outer Contact Plating Material	Gold over Nickel
Grade	Mil-Type
Dielectric Material	PTFE

Product Compliance

For compliance documentation, visit the product page on [TE.com](https://www.te.com)>

EU RoHS Directive 2011/65/EU

Compliant with Exemptions

EU ELV Directive 2000/53/EC

Compliant with Exemptions

China RoHS 2 Directive MIIT Order No 32, 2016

Restricted Materials Above Threshold

EU REACH Regulation (EC) No. 1907/2006

Current ECHA Candidate List: JUNE 2023 (235)

Candidate List Declared Against: JUNE 2023 (235)

SVHC > Threshold:

Pb (3.7% in Component Part)

Article Safe Usage Statements:

Do not eat, drink or smoke when using this product. Wash thoroughly after handling. Recycle if possible and dispose of the article by following all applicable governmental regulations relevant to your geographic location.

Halogen Content

Low Bromine/Chlorine - Br and Cl < 900 ppm per homogenous material. Also BFR /CFR/PVC Free

Solder Process Capability


Not applicable for solder process capability

Product Compliance Disclaimer

This information is provided based on reasonable inquiry of our suppliers and represents our current actual knowledge based on the information they provided. This information is subject to change. The part numbers that TE has identified as EU RoHS compliant have a maximum concentration of 0.1% by weight in homogenous materials for lead, hexavalent chromium, mercury, PBB, PBDE, DBP, BBP, DEHP, DIBP, and 0.01% for cadmium, or qualify for an exemption to these limits as defined in the Annexes of Directive 2011/65/EU (RoHS2). Finished electrical and electronic equipment products will be CE marked as required by Directive 2011/65/EU. Components may not be CE marked. Additionally, the part numbers that TE has identified as EU ELV compliant have a maximum concentration of 0.1% by weight in homogenous materials for lead, hexavalent chromium, and mercury, and 0.01% for cadmium, or qualify for an exemption to these limits as defined in the Annexes of Directive 2000/53/EC (ELV). Regarding the REACH Regulation, the information TE provides on SVHC in articles for this part number is based on the latest European Chemicals Agency (ECHA) 'Guidance on requirements for substances in articles' posted at this URL: <https://echa.europa.eu/guidance-documents/guidance-on-reach>

Compatible Parts





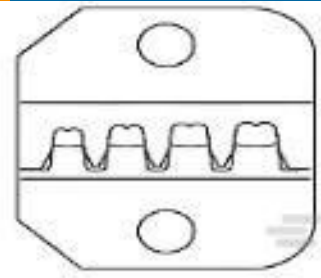
TE Part # CAT-884-SMBMSF50
SMB RF Connector: Jack, Snap Fit, 50 Ohm



TE Part # 5414338-1
PLUG, RTANG, SMB/PCB



TE Part # 228553-1
SMB COMML BLKHD ADAPTER



TE Part # 58483-1
TRIPLE HEX DIE ASSY SMB



TE Part # 58499-1
AMP PRO-CRIMPER ASSEMBLY

Customers Also Bought




TE Part #1-5102160-0
A/L UNIV HDR 50P RA



TE Part #1-103168-8
40 MODII HDR DRST SHRD .100CL



TE Part #102618-8
20 MODII HDR DRST SHRD .100CL



TE Part #32951
PG R 22-16 COMM 22-18 MIL 8




TE Part #859526-4
4 CAV FLANGED RECEPT KIT



TE Part #9-2176391-4
RQ 1206 115K 0.1% 10PPM 5K RL



TE Part #2176392-7
RQ 1206 154K 0.1% 10PPM 5K RL



TE Part #696422-4
PIDG PVF2 R 22-16COM22-18MIL 6



TE Part #2151375-2
OCEAN_2.0_APPLICATOR-S-035F059F

Documents



CAD Files

3D PDF

3D

Customer View Model

[ENG_CVM_CVM_413985-1_P.2d_dxf.zip](#)

English

Customer View Model

[ENG_CVM_CVM_413985-1_P.3d_igs.zip](#)

English

Customer View Model

[ENG_CVM_CVM_413985-1_P.3d_stp.zip](#)

English

By downloading the CAD file I accept and agree to the [Terms and Conditions](#) of use.

Datasheets & Catalog Pages

SMB Connectors

English

Product Environmental Compliance

[MD_413985-1_040320181413_dmtec](#)

English

[MD_413985-1_040320181413_dmtec](#)

English

Instruction Sheets

Instruction Sheet (U.S.)

English