

41341 ACTIVE

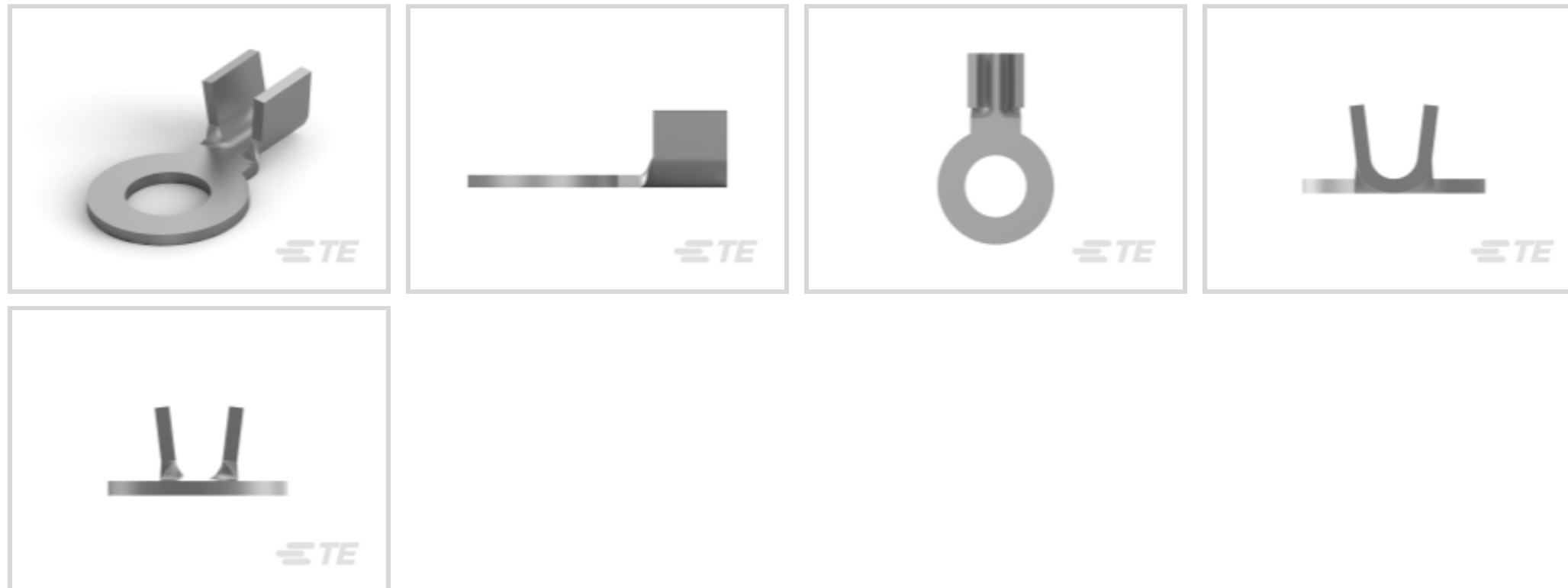
TE Internal #: 41341

Closed Ring Tongue Terminal, 12 – 10 AWG, M6 Stud Size, 6.73 mm [.265 in] Stud Diameter, Open Barrel, Straight, Tin, Uninsulated

[View on TE.com >](#)



Terminals & Splices > Ring Terminals



Ring Terminal Product Type: Closed Ring Tongue Terminal

Wire Size: 6529 – 10382 CMA

Stud Size: M6

Features

Product Type Features

Shape Description	Circular/Oval
Ring Terminal Product Type	Closed Ring Tongue Terminal
Stud Size	M6
Sealable	No
Compatible With Discrete Wire Type	Stranded
Wire Insulation Support Retention Type	Non-Insulation Support

Configuration Features

Number of Holes	1
-----------------	---

Body Features

Product Weight	1.634 g
----------------	---------

Contact Features

Contact Base Material	Copper
Barrel Type	Open
Terminal Orientation	Straight
Terminal Plating Material	Tin
Contact Underplating Material	None



Mechanical Attachment

Wire Insulation Support	Without
-------------------------	---------

Dimensions

Wire Size	6529 – 10382 CMA
Stud Diameter	6.73 mm [.265 in]
Tongue Thickness	1.02 mm [.04 in]
Product Length	20.83 mm [.82 in]
Barrel Inside Diameter	3.3 mm [.13 in]

Usage Conditions

Insulation Option	Uninsulated
Operating Temperature Range	-40 – 110 °C [-40 – 230 °F]

Operation/Application

Compatible With Wire Base Material	Copper
------------------------------------	--------

Industry Standards

Government Qualified Terminal	No
-------------------------------	----

Packaging Features

Packaging Quantity	5000
Packaging Method	Strip/Reel

Product Compliance

[For compliance documentation, visit the product page on TE.com>](#)

EU RoHS Directive 2011/65/EU	Compliant
EU ELV Directive 2000/53/EC	Compliant
China RoHS 2 Directive MIIT Order No 32, 2016	No Restricted Materials Above Threshold
EU REACH Regulation (EC) No. 1907/2006	Current ECHA Candidate List: JUNE 2023 (235) Candidate List Declared Against: JUNE 2023 (235) Does not contain REACH SVHC
Halogen Content	Low Halogen - Br, Cl, F, I < 900 ppm per homogenous material. Also BFR/CFR/PVC Free
Solder Process Capability	Not applicable for solder process capability

Product Compliance Disclaimer

This information is provided based on reasonable inquiry of our suppliers and represents our current actual knowledge based on the information they provided. This information is subject to change. The part numbers that TE has identified as EU RoHS compliant have a maximum concentration of 0.1% by weight in homogenous materials for lead, hexavalent chromium, mercury, PBB, PBDE, DBP, BBP, DEHP, DIBP, and 0.01% for cadmium, or qualify for an exemption to these limits as defined in the Annexes of Directive 2011/65/EU (RoHS2). Finished electrical and electronic equipment products will be CE marked as required by Directive 2011/65/EU. Components may not be CE marked. Additionally, the part numbers that TE has identified as EU ELV compliant have a maximum concentration of 0.1% by weight in homogenous materials for lead, hexavalent chromium, and mercury, and 0.01% for cadmium, or qualify for an exemption to these limits as defined in the Annexes of Directive 2000/53/EC (ELV). Regarding the REACH Regulation, the information TE provides on SVHC in articles for this part number is based on the latest European Chemicals Agency (ECHA) 'Guidance on requirements for substances in articles' posted at this URL: <https://echa.europa.eu/guidance-documents/guidance-on-reach>

Compatible Parts



TE Part # 1742456-2
RT .265 DIA TERMINAL 10-6 AWG
TPCU



TE Part # 2151498-1
OCEAN_2.0_Applicator-S-210F



TE Part # 2151498-2
OCEAN_2.0_Applicator-S-210F

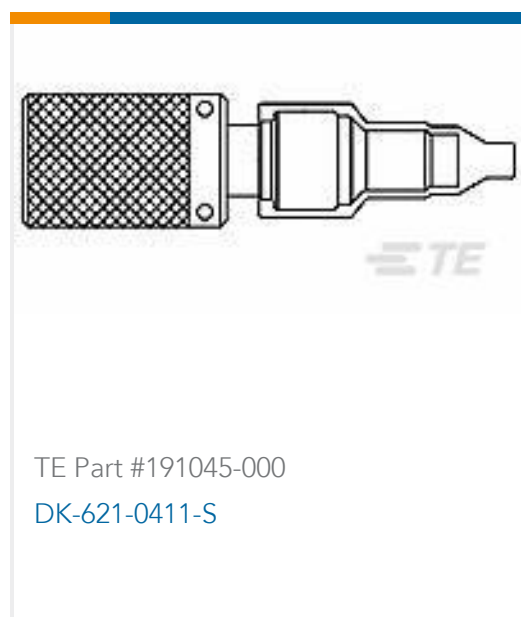


TE Part # 7-2151498-7
OCEAN_2.0_SPARE_PART_KIT-210F



TE Part # 2-2151498-2
OCEAN_2.0_Applicator-S-210F

Customers Also Bought



TE Part #191045-000
DK-621-0411-S



TE Part #42899-2
RING TONGUE 10-6 AWG TPBR



TE Part #160337-2
RING TONGUE IS 18-14 0.295 X .940
TPBR



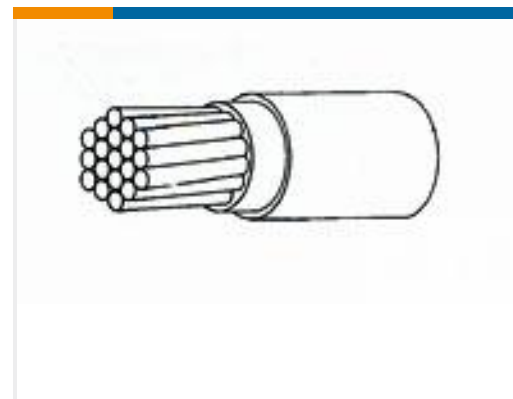
TE Part #1-2176415-5
8W STD M/OX 5% 110R



TE Part #YDTS20W11-98SNV001
RECP ASSY



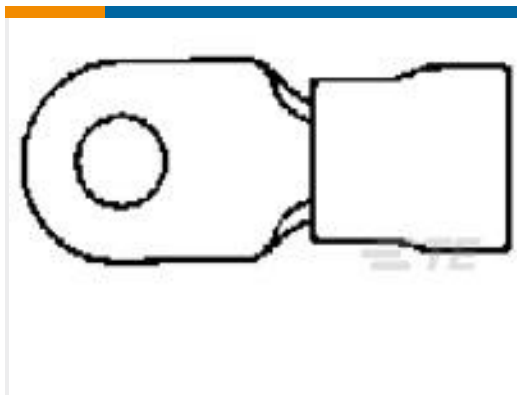
TE Part #YDTS26W15-97SNV001
PLUG ASSY



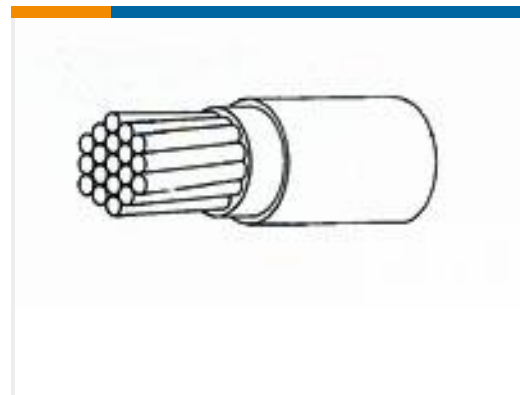
TE Part #855850-001
22759/43-12-9



TE Part #41604
RING TERMINAL 14-12 AWG BR



TE Part #53949-1
TERMINAL,R PVF2 PG 4 10



TE Part #184523-000
22759/43-10-9

Documents

Product Drawings

[RING .250 \(6.3 MM\) 12-10 AWG TPCU](#)

English

CAD Files

[3D PDF](#)

3D

Customer View Model

[ENG_CVM_CVM_41341_AB.2d_dxf.zip](#)

English

Customer View Model

[ENG_CVM_CVM_41341_AB.3d_igs.zip](#)

English

Customer View Model

[ENG_CVM_CVM_41341_AB.3d_stp.zip](#)

English

By downloading the CAD file I accept and agree to the [Terms and Conditions](#) of use.

Product Specifications

[Application Specification](#)

English