



RAYCHEM

TE Internal #: 413119-000

Twisted Pair Cable, 1500VAC Voltage Rating, Tin-Coated Copper, 22 AWG Wire Size, Operating Temperature Range -65 – 150 °C

[View on TE.com >](#)

Wire & Cable > Twisted Pair Cable



Voltage Rating: 1500 VAC

Wire & Cable Insulation Material: Radiation-Crosslinked, Modified PVDF

Conductor Material: Tin-Coated Copper

Wire Size: 22 AWG

Operating Temperature Range: -65 – 150 °C

### Features

#### Product Type Features

Cable Style	Round Braided Shielded & Jacketed
Shielded	Yes

#### Configuration Features

Number of Strands	19
-------------------	----

#### Electrical Characteristics

Voltage Rating	1500 VAC
----------------	----------

#### Body Features

Jacket Color	Black
Wire & Cable Insulation Material	Radiation-Crosslinked, Modified PVDF
Conductor Material	Tin-Coated Copper

#### Dimensions

Wire Size	22 AWG
-----------	--------

#### Usage Conditions

Operating Temperature Range	-65 – 150 °C
-----------------------------	--------------

### Product Compliance

[For compliance documentation, visit the product page on TE.com>](#)




EU RoHS Directive 2011/65/EU	Compliant
EU ELV Directive 2000/53/EC	Compliant
China RoHS 2 Directive MIIT Order No 32, 2016	No Restricted Materials Above Threshold
EU REACH Regulation (EC) No. 1907/2006	Current ECHA Candidate List: JUNE 2023 (235) Candidate List Declared Against: JUNE 2023 (235) Does not contain REACH SVHC
Halogen Content	Out of Scope - excluded from Halogen requirements
Solder Process Capability	Not applicable for solder process capability

Product Compliance Disclaimer

This information is provided based on reasonable inquiry of our suppliers and represents our current actual knowledge based on the information they provided. This information is subject to change. The part numbers that TE has identified as EU RoHS compliant have a maximum concentration of 0.1% by weight in homogenous materials for lead, hexavalent chromium, mercury, PBB, PBDE, DBP, BBP, DEHP, DIBP, and 0.01% for cadmium, or qualify for an exemption to these limits as defined in the Annexes of Directive 2011/65/EU (RoHS2). Finished electrical and electronic equipment products will be CE marked as required by Directive 2011/65/EU. Components may not be CE marked. Additionally, the part numbers that TE has identified as EU ELV compliant have a maximum concentration of 0.1% by weight in homogenous materials for lead, hexavalent chromium, and mercury, and 0.01% for cadmium, or qualify for an exemption to these limits as defined in the Annexes of Directive 2000/53/EC (ELV). Regarding the REACH Regulation, the information TE provides on SVHC in articles for this part number is based on the latest European Chemicals Agency (ECHA) 'Guidance on requirements for substances in articles' posted at this URL: <https://echa.europa.eu/guidance-documents/guidance-on-reach>

## Compatible Parts



TE Part # D17660-000  
D-200-82

## Customers Also Bought



TE Part #CN9936-000  
SBP200375WE2.5



TE Part #2108610-5  
1.4H SPRING FINGER WITH EMBOSS



TE Part #1050859-1  
2002 5016 00



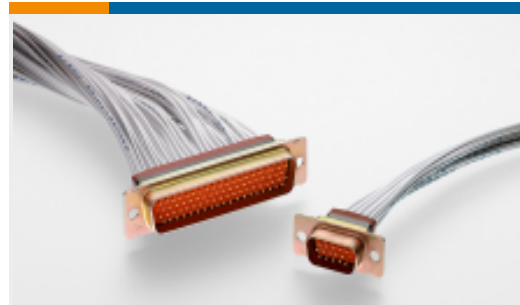
TE Part #YDTS26W15-05SAV001  
PLUG ASSY



TE Part #5787446-1  
HDR ASY,VERT,NO KEY,RET TAIL



TE Part #382254-009  
44A1121-22-0/9-9



TE Part #2221760-5  
AMPLIMITE IP67, SZ5, 90, 78 POS,  
RCPT



TE Part #109027-ZZ  
CONT SOC



TE Part #5-1616975-5  
D56C=CONTACTOR 175A 3PDT



TE Part #404935-000  
55PC0242-16-MST4CS2573

## Documents

### Product Drawings

[CTC-0041-22](#)

English

### Datasheets & Catalog Pages

[1654025\\_Sec9\\_FlexLite](#)

English

### Product Specifications

[Product Specification](#)

English