

41276 ✓ ACTIVE



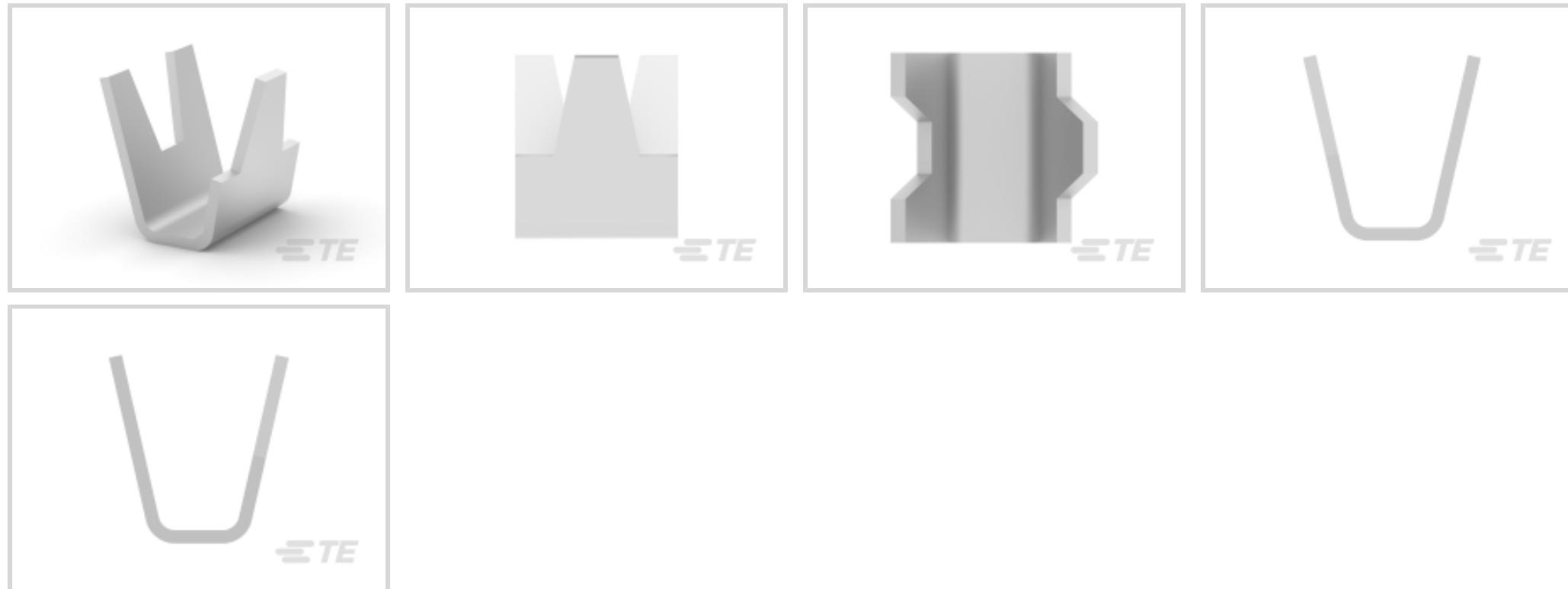
SPLICE

TE Internal #: 41276

Splices, Splice Accessory, 0 Serration, Length .25 in [6.35 mm], Strip, Open, Stranded / Solid Wire, Copper Wire, Discrete Wire, Uninsulated, SPLICE

[View on TE.com >](#)

Terminals & Splices > Splices



Sealable: No

Compatible Insulation Diameter Range: 5.59 mm [.22 in]

Splice Type: Splice Accessory

Terminal Material Thickness: .51 mm [.02 in]

Number of Serrations: 0

Features

Product Type Features

Sealable	No
Splice Type	Splice Accessory
Compatible With Discrete Wire Type	Solid, Stranded
Wire Insulation Support Retention Type	Insulation Support

Configuration Features

Number of Serrations	0
Compatible With Wire & Cable Type	Discrete Wire

Contact Features

Barrel Type	Open
-------------	------

Mechanical Attachment

Wire Insulation Support	With
-------------------------	------

Dimensions

Compatible Insulation Diameter Range	5.59 mm[.22 in]
--------------------------------------	-----------------



Terminal Material Thickness	.51 mm[.02 in]
-----------------------------	----------------

Product Length	6.35 mm[.25 in]
----------------	-----------------

Usage Conditions

Insulation Option	Uninsulated
-------------------	-------------

Operating Temperature Range	-65 – 150 °C[-85 – 302 °F]
-----------------------------	----------------------------

Operation/Application

Compatible With Wire Base Material	Copper
------------------------------------	--------

Industry Standards

Government Qualified Splice	No
-----------------------------	----

Packaging Features

Packaging Quantity	20000
--------------------	-------

Packaging Method	Strip
------------------	-------

Product Compliance

[For compliance documentation, visit the product page on TE.com>](#)

EU RoHS Directive 2011/65/EU	Compliant
------------------------------	-----------

EU ELV Directive 2000/53/EC	Compliant
-----------------------------	-----------

China RoHS 2 Directive MIIT Order No 32, 2016	No Restricted Materials Above Threshold
-----------------------------------------------	-----------------------------------------

EU REACH Regulation (EC) No. 1907/2006	Current ECHA Candidate List: JUNE 2023 (235) Candidate List Declared Against: JUNE 2023 (235) Does not contain REACH SVHC
----------------------------------------	---------------------------------------------------------------------------------------------------------------------------------

Halogen Content	Low Halogen - Br, Cl, F, I < 900 ppm per homogenous material. Also BFR/CFR/PVC Free
-----------------	-------------------------------------------------------------------------------------

Solder Process Capability	Not applicable for solder process capability
---------------------------	----------------------------------------------

Product Compliance Disclaimer

This information is provided based on reasonable inquiry of our suppliers and represents our current actual knowledge based on the information they provided. This information is subject to change. The part numbers that TE has identified as EU RoHS compliant have a maximum concentration of 0.1% by weight in homogenous materials for lead, hexavalent chromium, mercury, PBB, PBDE, DBP, BBP, DEHP, DIBP, and 0.01% for cadmium, or qualify for an exemption to these limits as defined in the Annexes of Directive 2011/65/EU (RoHS2). Finished electrical and electronic equipment products will be CE marked as required by Directive 2011/65/EU. Components may not be CE marked. Additionally, the part numbers that TE has identified as EU ELV compliant have a maximum concentration of 0.1% by weight in homogenous materials for lead, hexavalent chromium, and mercury, and 0.01% for cadmium, or qualify for an exemption to these limits as defined in the Annexes of Directive 2000/53/EC (ELV). Regarding the REACH Regulation, the information TE provides on SVHC in articles for this part number is based on the latest European Chemicals Agency (ECHA) 'Guidance on requirements for substances in articles' posted at this URL: <https://echa.europa.eu/guidance-documents/guidance-on-reach>

Compatible Parts



TE Part # 42627-4
SPLICE 3232-8282 .0198 NPST



TE Part # 41282
ID BAND .03 BR



TE Part # 626207-1
SPECIAL SPLICE 20-18 AWG LATAO



TE Part # 160644-3
SPLICE 20-15 AWG .016 TPBR



TE Part # 61492-3
SPLICE 2048-5250 .51MM CU/NI



TE Part # 626315-1
STANDARD SPLICE



TE Part # 626363-1
SPLICE



TE Part # 626584-1
SPLICE 1500/5000 CMA BR

Also in the Series | SPLICE



Crimp Wire Pins, Tabs & Ferrules(1)

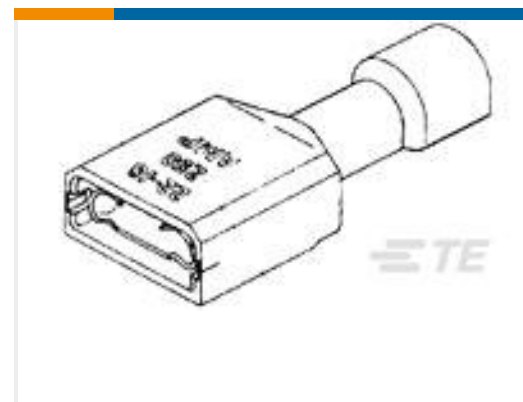


Splices(64)

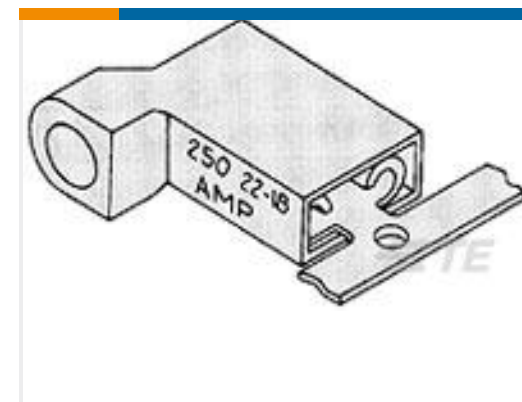
Customers Also Bought



TE Part #543633P064
SCT-NO.1-E6-0-STK



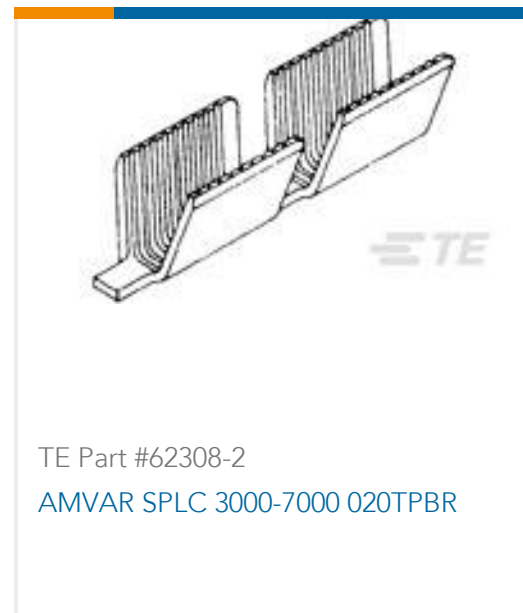
TE Part #3-520140-4
ULTRA-FAST 250 ASY REC 16-14 AWG TPBR



TE Part #3-520132-2
ULTRAFast 250 ASSY FLAG REC 16-14 TPBR



TE Part #41531
250 FASTON FLAG REC 18-12 AWG BR



Documents

Product Drawings

IDENTIFICATION BAND AL

English

CAD Files

3D PDF

3D

Customer View Model

[ENG_CVM_CVM_41276_F_c-41276-f.2d_dxf.zip](#)

English

Customer View Model

[ENG_CVM_CVM_41276_F_c-41276-f.3d_igs.zip](#)

English

Customer View Model

[ENG_CVM_CVM_41276_F_c-41276-f.3d_stp.zip](#)

English

By downloading the CAD file I accept and agree to the [Terms and Conditions](#) of use.

Product Environmental Compliance

Product Compliance

English

Product Compliance

English