

40960 ✓ ACTIVE

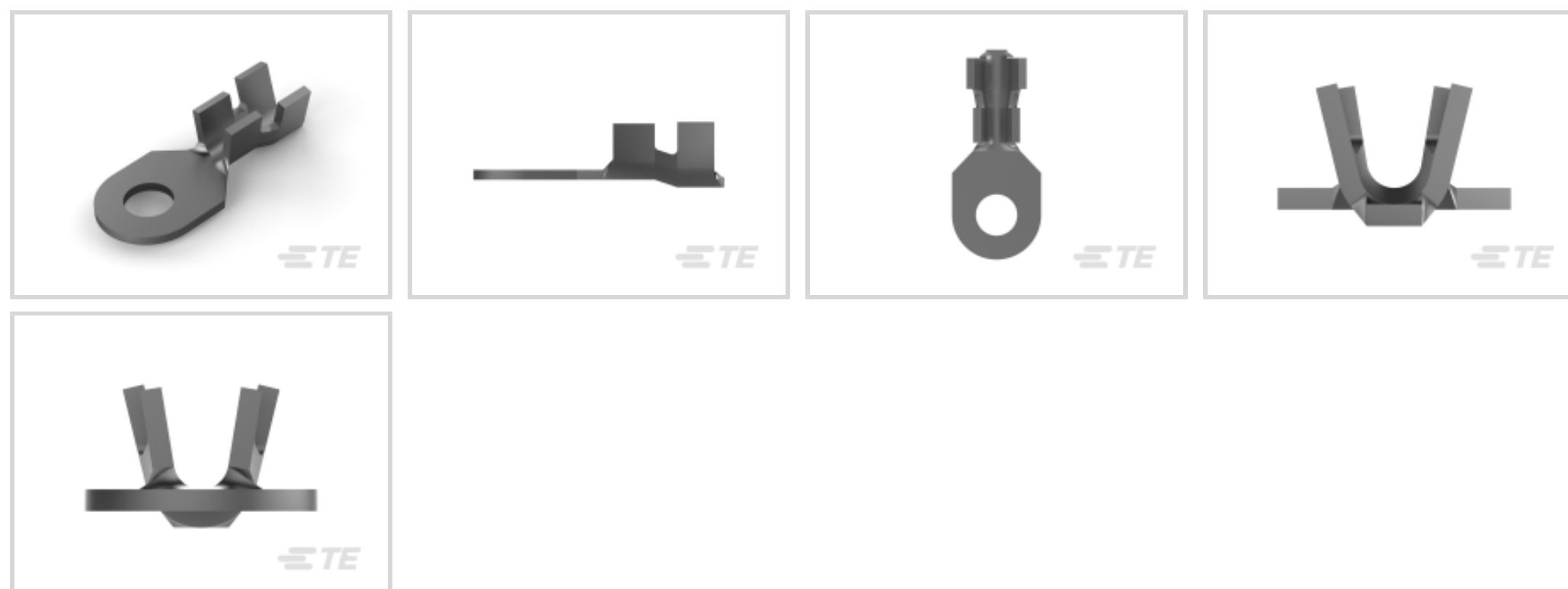
TE Internal #: 40960

Closed Ring Tongue Terminal, 14 – 12 AWG, #10 Stud Size, 5 mm [.197 in] Stud Diameter, Open Barrel, Straight, Tin, Uninsulated

[View on TE.com >](#)



Terminals & Splices > Ring Terminals



Ring Terminal Product Type: Closed Ring Tongue Terminal

Wire Size: 4106 – 6529 CMA

Stud Size: #10

Features

Product Type Features

Shape Description	D Shaped
Ring Terminal Product Type	Closed Ring Tongue Terminal
Stud Size	#10
Sealable	No
Compatible With Discrete Wire Type	Stranded
Wire Insulation Support Retention Type	Insulation Support

Configuration Features

Number of Holes	1
-----------------	---

Body Features

Product Weight	1.971 g
----------------	---------

Contact Features

Contact Base Material	Brass
Barrel Type	Open
Terminal Orientation	Straight
Terminal Plating Material	Tin
Contact Underplating Material	Nickel



Mechanical Attachment

Wire Insulation Support	With
-------------------------	------

Dimensions

	.13 in
Wire Size	4106 – 6529 CMA
Stud Diameter	5 mm [.197 in]
Tongue Thickness	1.02 mm [.04 in]
Product Length	24.13 mm [.95 in]
Barrel Inside Diameter	2.54 mm, 3.3 mm [.1 in] [.13 in]
Compatible Insulation Diameter (Max)	4.57 mm [.18 in]
Compatible Insulation Diameter Range	3.3 – 4.57 mm [.13 – .18 in]

Usage Conditions

Insulation Option	Uninsulated
Operating Temperature Range	-40 – 110 °C [-40 – 230 °F]

Operation/Application

Compatible With Wire Base Material	Copper
------------------------------------	--------

Industry Standards

Government Qualified Terminal	No
-------------------------------	----

Packaging Features

Packaging Quantity	5000
Packaging Method	Strip/Reel

Product Compliance

[For compliance documentation, visit the product page on TE.com>](#)

EU RoHS Directive 2011/65/EU	Compliant
EU ELV Directive 2000/53/EC	Compliant
China RoHS 2 Directive MIIT Order No 32, 2016	No Restricted Materials Above Threshold
EU REACH Regulation (EC) No. 1907/2006	Current ECHA Candidate List: JUNE 2023 (235) Candidate List Declared Against: JUNE 2023 (235) Does not contain REACH SVHC
Halogen Content	Low Halogen - Br, Cl, F, I < 900 ppm per homogenous material. Also BFR/CFR/PVC

Free

Solder Process Capability

Not applicable for solder process capability

Product Compliance Disclaimer

This information is provided based on reasonable inquiry of our suppliers and represents our current actual knowledge based on the information they provided. This information is subject to change. The part numbers that TE has identified as EU RoHS compliant have a maximum concentration of 0.1% by weight in homogenous materials for lead, hexavalent chromium, mercury, PBB, PBDE, DBP, BBP, DEHP, DIBP, and 0.01% for cadmium, or qualify for an exemption to these limits as defined in the Annexes of Directive 2011/65/EU (RoHS2). Finished electrical and electronic equipment products will be CE marked as required by Directive 2011/65/EU. Components may not be CE marked. Additionally, the part numbers that TE has identified as EU ELV compliant have a maximum concentration of 0.1% by weight in homogenous materials for lead, hexavalent chromium, and mercury, and 0.01% for cadmium, or qualify for an exemption to these limits as defined in the Annexes of Directive 2000/53/EC (ELV). Regarding the REACH Regulation, the information TE provides on SVHC in articles for this part number is based on the latest European Chemicals Agency (ECHA) 'Guidance on requirements for substances in articles' posted at this URL: <https://echa.europa.eu/guidance-documents/guidance-on-reach>

Compatible Parts



TE Part # 60485-1
RING TERMINAL 14-12 AWG TPBR



TE Part # 42639-1
RING TERMINAL 14-12 AWG BR



TE Part # 2150730-2
OCEAN_2.0_APPLICATOR-E-190F250F



TE Part # 7-2150730-2
OCEAN_2.0_APPLICATOR-E-190F250F



KIT
REPRESENTATION ONLY

TE Part # 7-2150730-7
OCEAN_2.0_SPARE_PART_KIT-190F250F

Customers Also Bought



TE Part #521204-6
RAST 5,HSG,2P,POSILOCK MKIII



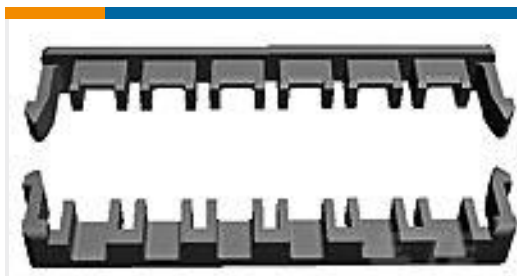
TE Part #63895-1
GROUND CLIP 14-18AWG ST



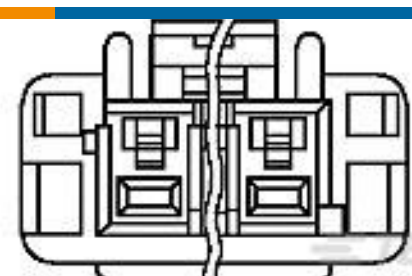
TE Part #63933-1
PL .250 TERMINAL REC 22-18 AWG BR



TE Part #63010-1
250 FASTON FLAG REC 18-14 AWG TPBR



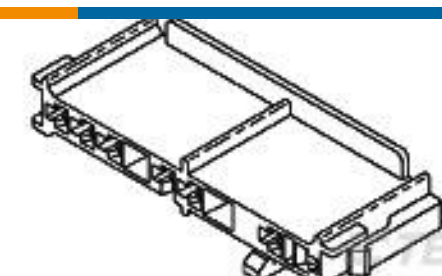
TE Part #1376397-1
5MM POWER KEY D/L PLATE GREEN



TE Part #2-1376389-3
5MM POWER KEY 3P PLUG HSG BLUE



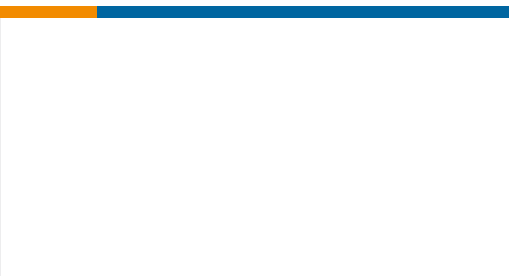
TE Part #ABC06N-20P-4048
IN-LINE PLUG



TE Part #521085-1
DRYER .250 HOUSING NYLON 6/6



TE Part #1217039-1
TIMER CONNECTOR GEN 3 18-14
POST-TPBR



TE Part #3-647449-1
SL156 RCPT, SPCL LUBE, LF

Documents

Product Drawings

RING TERMINAL 14-12 AWG TPBR

English

CAD Files

3D PDF

3D

Customer View Model

[ENG_CVM_CVM_40960_AK_c-40960-ak.2d_dxf.zip](#)

English

Customer View Model

[ENG_CVM_CVM_40960_AK_c-40960-ak.3d_igs.zip](#)

English

Customer View Model

[ENG_CVM_CVM_40960_AK_c-40960-ak.3d_stp.zip](#)

English

By downloading the CAD file I accept and agree to the [Terms and Conditions](#) of use.

Product Specifications

Application Specification

English

Product Environmental Compliance

MD_40960_02122016849_dmtec

English

MD_40960_02122016849_dmtec

English

40960

Closed Ring Tongue Terminal, 14 – 12 AWG, #10 Stud Size, 5 mm [.197 in] Stud Diameter, Open Barrel, Straight, Tin, Uninsulated

