

40810 ✓ ACTIVE

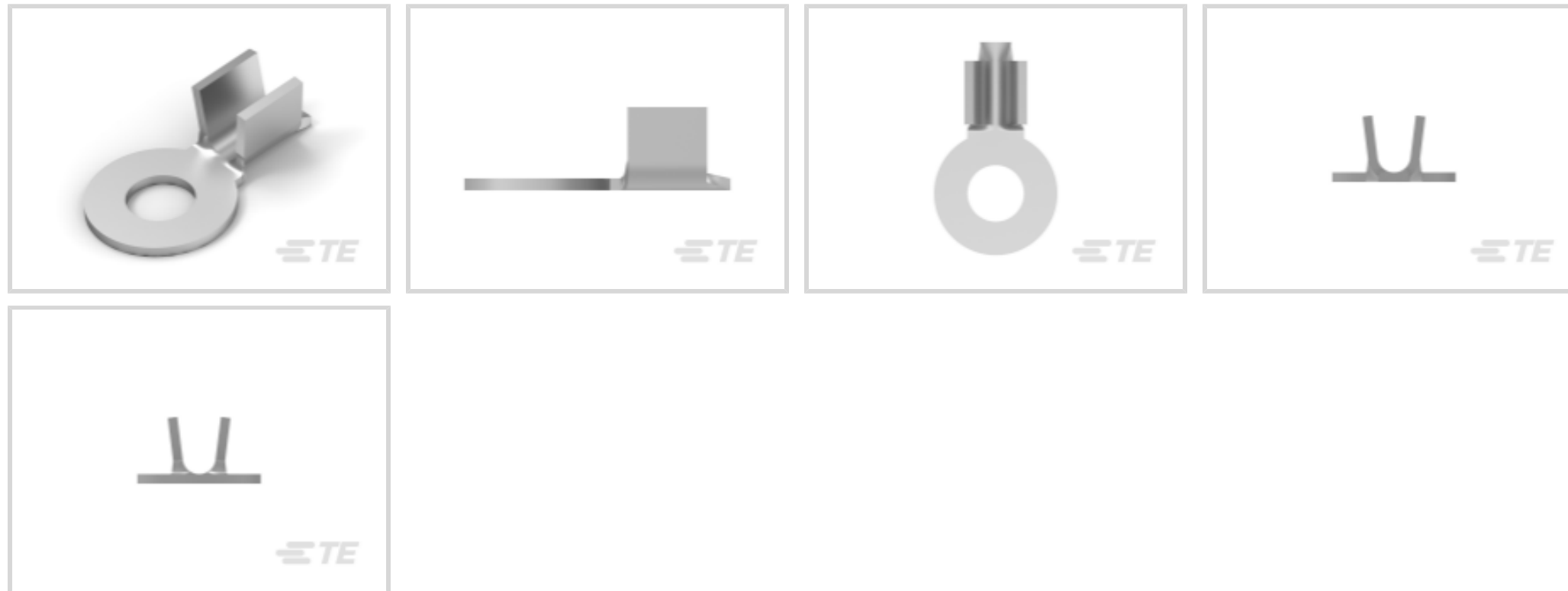
TE Internal #: 40810

Closed Ring Tongue Terminal, 20 – 16 AWG, #4 / M2.5 Stud Size,  
3.02 mm [.119 in] Stud Diameter, Open Barrel, Straight, Tin,  
Uninsulated

[View on TE.com >](#)



Terminals & Splices > Ring Terminals



Ring Terminal Product Type: **Closed Ring Tongue Terminal**

Wire Size: **1021 – 2582 CMA**

Stud Size: **#4, M2.5**

## Features

### Product Type Features

Shape Description	Circular/Oval
Ring Terminal Product Type	Closed Ring Tongue Terminal
Stud Size	#4, M2.5
Sealable	No
Compatible With Discrete Wire Type	Stranded
Wire Insulation Support Retention Type	Non-Insulation Support

### Configuration Features

Number of Holes	1
-----------------	---

### Body Features

Product Weight	.221 g
----------------	--------

### Contact Features

Contact Base Material	Brass
Barrel Type	Open
Terminal Orientation	Straight
Terminal Plating Material	Tin
Contact Underplating Material	None



### Mechanical Attachment

Wire Insulation Support	Without
-------------------------	---------

### Dimensions

Wire Size	1021 – 2582 CMA
Stud Diameter	3.02 mm [.119 in]
Tongue Thickness	.51 mm [.02 in]
Product Length	10.16 mm [.4 in]
Barrel Inside Diameter	1.77 mm [.07 in]

### Usage Conditions

Insulation Option	Uninsulated
Operating Temperature Range	-40 – 110 °C [-40 – 230 °F]

### Operation/Application

Compatible With Wire Base Material	Copper
------------------------------------	--------

### Industry Standards

Government Qualified Terminal	No
-------------------------------	----

### Packaging Features

Packaging Quantity	20000
Packaging Method	Strip/Reel

### Product Compliance

[For compliance documentation, visit the product page on TE.com>](#)

EU RoHS Directive 2011/65/EU	Compliant
EU ELV Directive 2000/53/EC	Compliant
China RoHS 2 Directive MIIT Order No 32, 2016	No Restricted Materials Above Threshold
EU REACH Regulation (EC) No. 1907/2006	Current ECHA Candidate List: JUNE 2023 (235) Candidate List Declared Against: JUNE 2023 (235) Does not contain REACH SVHC
Halogen Content	Low Halogen - Br, Cl, F, I < 900 ppm per homogenous material. Also BFR/CFR/PVC Free
Solder Process Capability	Not applicable for solder process capability

Product Compliance Disclaimer

This information is provided based on reasonable inquiry of our suppliers and represents our current actual knowledge based on the information they provided. This information is subject to change. The part numbers that TE has identified as EU RoHS compliant have a maximum concentration of 0.1% by weight in homogenous materials for lead, hexavalent chromium, mercury, PBB, PBDE, DBP, BBP, DEHP, DIBP, and 0.01% for cadmium, or qualify for an exemption to these limits as defined in the Annexes of Directive 2011/65/EU (RoHS2). Finished electrical and electronic equipment products will be CE marked as required by Directive 2011/65/EU. Components may not be CE marked. Additionally, the part numbers that TE has identified as EU ELV compliant have a maximum concentration of 0.1% by weight in homogenous materials for lead, hexavalent chromium, and mercury, and 0.01% for cadmium, or qualify for an exemption to these limits as defined in the Annexes of Directive 2000/53/EC (ELV). Regarding the REACH Regulation, the information TE provides on SVHC in articles for this part number is based on the latest European Chemicals Agency (ECHA) 'Guidance on requirements for substances in articles' posted at this URL: <https://echa.europa.eu/guidance-documents/guidance-on-reach>

## Compatible Parts



TE Part # 42318-2  
SPADE TERMINAL TERMINAL 20-16 AWG TPBR



TE Part # 42185-2  
RING 22-16 .125 .020TPBR



TE Part # 2-2150631-1  
OCEAN\_2.0\_APPLICATOR-E-100F



TE Part # 2-2150631-2  
OCEAN\_2.0\_APPLICATOR-E-100F



TE Part # 2150631-1  
OCEAN\_2.0\_APPLICATOR-E-100F



TE Part # 2150631-2  
OCEAN\_2.0\_APPLICATOR-E-100F



TE Part # 2150632-2  
OCEAN-2.0-APPLICATOR-E-140FA



TE Part # 7-2150631-7  
OCEAN\_2.0\_SPARE\_PART\_KIT-100F

## Customers Also Bought



TE Part #3-770522-1  
SL156 HOODED CONTACT, LP LF



TE Part #640250-4  
04P SL156 HSG W/LCK RAMP NATL



TE Part #6609056-4  
20MV1=F7759 S0



TE Part #3-1609037-3  
30EHZ6=F8358



TE Part #5520470-3  
MJ,R/A,6P/6C,TRAY PACK



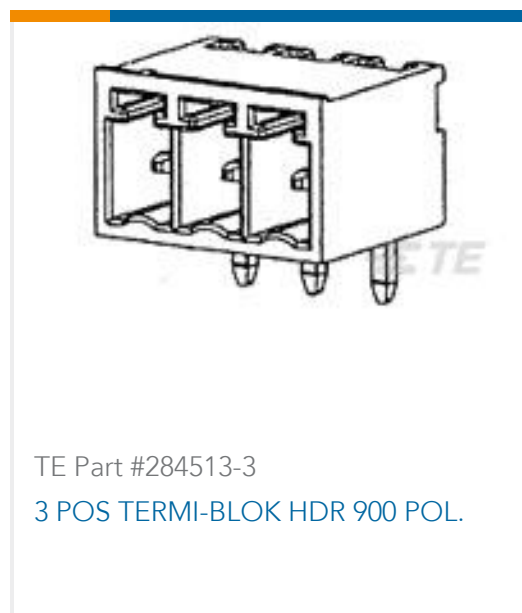
TE Part #1-5103309-0  
A/L LOW PRO HDR 50P VERT BLACK



TE Part #1-1734775-1  
Std USB Type A, Flag, T/H, 1.8A



TE Part #4-1601009-4  
PC TAB STANDARD SIAMEZE



TE Part #284513-3  
3 POS TERMI-BLOK HDR 900 POL.

## Documents

### Product Drawings

[RING TERMINAL 20-16 AWG TPBR](#)

English

### CAD Files

[3D PDF](#)

3D

Customer View Model

[ENG\\_CVM\\_CVM\\_40810\\_W.2d\\_dxf.zip](#)

English

Customer View Model

[ENG\\_CVM\\_CVM\\_40810\\_W.3d\\_igs.zip](#)

English

Customer View Model

[ENG\\_CVM\\_CVM\\_40810\\_W.3d\\_stp.zip](#)

English

By downloading the CAD file I accept and agree to the [Terms and Conditions](#) of use.

### Product Specifications

[Application Specification](#)

English

### Product Environmental Compliance

[TE Material Declaration](#)

English