

40660 ✓ ACTIVE

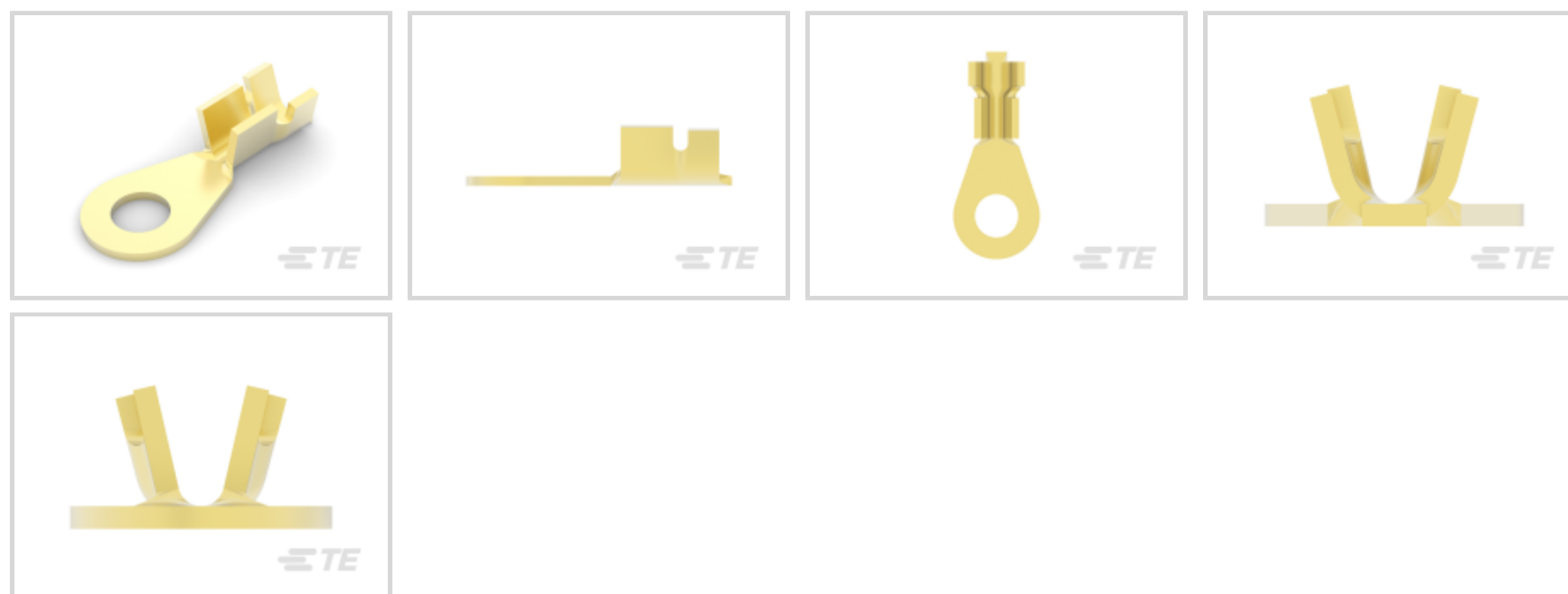
TE Internal #: 40660

Closed Ring Tongue Terminal, 18 – 14 AWG, M4 / #8 Stud Size,  
4.34 mm [.171 in] Stud Diameter, Open Barrel, Straight, Unplated,  
Uninsulated

[View on TE.com >](#)



Terminals & Splices > Ring Terminals



Ring Terminal Product Type: **Closed Ring Tongue Terminal**

Wire Size: **1624 – 4106 CMA**

Stud Size: **#8, M4**

## Features

### Product Type Features

|  |                             |
|--|-----------------------------|
| Shape Description                      | Circular/Oval               |
| Ring Terminal Product Type             | Closed Ring Tongue Terminal |
| Stud Size                              | #8, M4                      |
| Sealable                               | No                          |
| Compatible With Discrete Wire Type     | Stranded                    |
| Wire Insulation Support Retention Type | Insulation Support          |

### Configuration Features

|                 |   |
|-----------------|---|
| Number of Holes | 1 |
|-----------------|---|

### Body Features

|                |        |
|----------------|--------|
| Product Weight | .864 g |
|----------------|--------|

### Contact Features

|                               |          |
|-------------------------------|----------|
| Contact Base Material         | Brass    |
| Barrel Type                   | Open     |
| Terminal Orientation          | Straight |
| Terminal Plating Material     | Unplated |
| Contact Underplating Material | None     |



### Mechanical Attachment

|                         |      |
|-------------------------|------|
| Wire Insulation Support | With |
|-------------------------|------|

### Dimensions

|                                      |                                     |
|--------------------------------------|-------------------------------------|
|                                      | .1 in                               |
| Wire Size                            | 1624 – 4106 CMA                     |
| Stud Diameter                        | 4.34 mm [.171 in]                   |
| Tongue Thickness                     | .76 mm [.03 in]                     |
| Product Length                       | 19.81 mm [.78 in]                   |
| Barrel Inside Diameter               | 1.52 mm, 2.92 mm [.06 in] [.115 in] |
| Compatible Insulation Diameter (Max) | 3.56 mm [.14 in]                    |
| Compatible Insulation Diameter Range | 2.54 – 3.56 mm [.1 – .14 in]        |

### Usage Conditions

|                             |                             |
|-----------------------------|-----------------------------|
| Insulation Option           | Uninsulated                 |
| Operating Temperature Range | -40 – 110 °C [-40 – 230 °F] |

### Operation/Application

|                                    |        |
|------------------------------------|--------|
| Compatible With Wire Base Material | Copper |
|------------------------------------|--------|

### Industry Standards

|                               |    |
|-------------------------------|----|
| Government Qualified Terminal | No |
|-------------------------------|----|

### Packaging Features

|                    |            |
|--------------------|------------|
| Packaging Quantity | 11000      |
| Packaging Method   | Strip/Reel |

### Product Compliance

[For compliance documentation, visit the product page on TE.com>](#)

|   |   |
|---|---|
| EU RoHS Directive 2011/65/EU                  | Compliant   |
| EU ELV Directive 2000/53/EC                   | Compliant   |
| China RoHS 2 Directive MIIT Order No 32, 2016 | No Restricted Materials Above Threshold   |
| EU REACH Regulation (EC) No. 1907/2006        | Current ECHA Candidate List: JUNE 2023 (235)<br>Candidate List Declared Against: JUNE 2023 (235)<br>Does not contain REACH SVHC |
| Halogen Content                               | Low Halogen - Br, Cl, F, I < 900 ppm per homogenous material. Also BFR/CFR/PVC  |

Free

Solder Process Capability

Not applicable for solder process capability

Product Compliance Disclaimer

This information is provided based on reasonable inquiry of our suppliers and represents our current actual knowledge based on the information they provided. This information is subject to change. The part numbers that TE has identified as EU RoHS compliant have a maximum concentration of 0.1% by weight in homogenous materials for lead, hexavalent chromium, mercury, PBB, PBDE, DBP, BBP, DEHP, DIBP, and 0.01% for cadmium, or qualify for an exemption to these limits as defined in the Annexes of Directive 2011/65/EU (RoHS2). Finished electrical and electronic equipment products will be CE marked as required by Directive 2011/65/EU. Components may not be CE marked. Additionally, the part numbers that TE has identified as EU ELV compliant have a maximum concentration of 0.1% by weight in homogenous materials for lead, hexavalent chromium, and mercury, and 0.01% for cadmium, or qualify for an exemption to these limits as defined in the Annexes of Directive 2000/53/EC (ELV). Regarding the REACH Regulation, the information TE provides on SVHC in articles for this part number is based on the latest European Chemicals Agency (ECHA) 'Guidance on requirements for substances in articles' posted at this URL: <https://echa.europa.eu/guidance-documents/guidance-on-reach>


### Compatible Parts



TE Part # 60394-1  
RING TERMINAL 20-16 AWG BR



TE Part # 60390-1  
SPADE CRIMP 20-16 AWG BR



TE Part # 42933-2  
RING TERMINAL 20-16 AWG TPBR



TE Part # 2151370-1  
OCEAN\_2.0\_Applicator-E-130F180F



TE Part # 2151370-2  
OCEAN\_2.0\_Applicator-E-130F180F



TE Part # 2151372-2  
OCEAN-2.0-APPLICATOR-S-070F1300



TE Part # 60744-1  
RING CRIMP 18-14 AWG BR



TE Part # 63170-1  
RING TERMINAL (RT) 18-14 AWG TPBR



TE Part # 7-2151370-1  
OCEAN\_2.0\_Applicator-E-130F180F



TE Part # 7-2151370-2  
OCEAN\_2.0\_Applicator-E-130F180F



TE Part # 7-2151370-7  
OCEAN\_2.0\_SPARE\_PART\_KIT-130F180F



TE Part # 2-2151370-2  
OCEAN\_2.0\_Applicator-E-130F180F

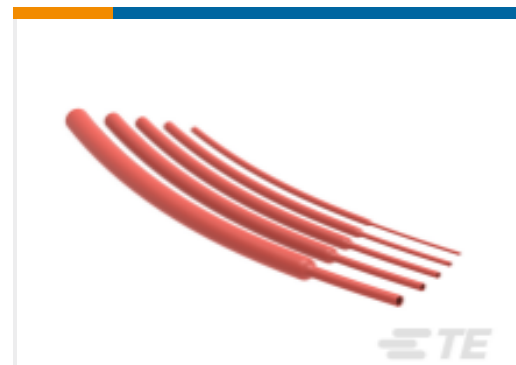
### Customers Also Bought



TE Part #576105P004  
ES1000-NO.2-B9-X-STK



TE Part #HDP24-24-29PE-L017  
DEUTSCH HDP20 Housings



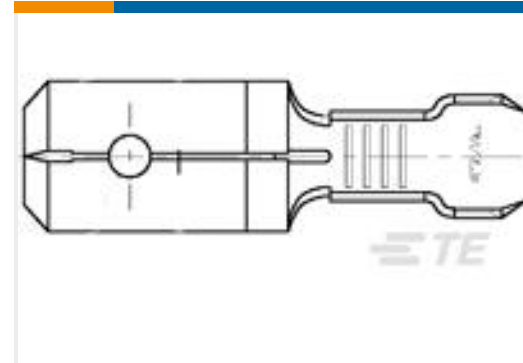
TE Part #NB13414001  
RNF-100-3/4-RD-SP



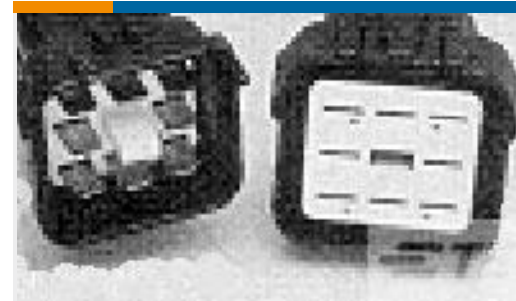
TE Part #2600023-2  
2CCT GREY PLUG W/SMALL SEAL



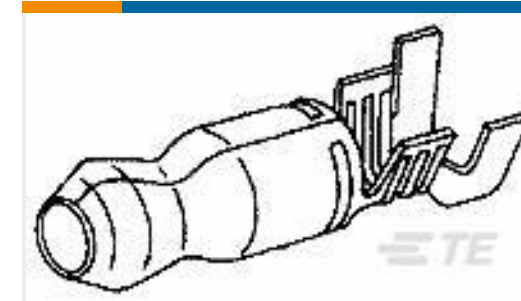
TE Part #2600031-2  
4CCT GREY PLUG W/SMALL SEAL



TE Part #42474-4  
250 FASTON TAB 18-14 AWG TPBR



TE Part #344081-1  
RECPT. HSG. ASSY. 2 WAY



TE Part #505038-1  
SHUR PLUG 180 CRIMP TAB 20-16  
AWG BR

## Documents

### Product Drawings

[RING 164\(4.17 MM\) TERMINAL 18-14 AWG BR](#)

English

### CAD Files

[3D PDF](#)

3D

Customer View Model

[ENG\\_CVM\\_CVM\\_40660\\_AW\\_c-40660-aw.2d\\_dxf.zip](#)

English

Customer View Model

[ENG\\_CVM\\_CVM\\_40660\\_AW\\_c-40660-aw.3d\\_igs.zip](#)

English

Customer View Model

[ENG\\_CVM\\_CVM\\_40660\\_AW\\_c-40660-aw.3d\\_stp.zip](#)

English

By downloading the CAD file I accept and agree to the [Terms and Conditions](#) of use.

### Product Specifications

[Application Specification](#)

English

### Product Environmental Compliance

[Product Compliance Document](#)

English

[Product Compliance Document](#)

English

40660

Closed Ring Tongue Terminal, 18 – 14 AWG, M4 / #8 Stud Size, 4.34 mm [.171 in]  
Stud Diameter, Open Barrel, Straight, Unplated, Uninsulated

