



SPLICE

TE Internal #: 40552

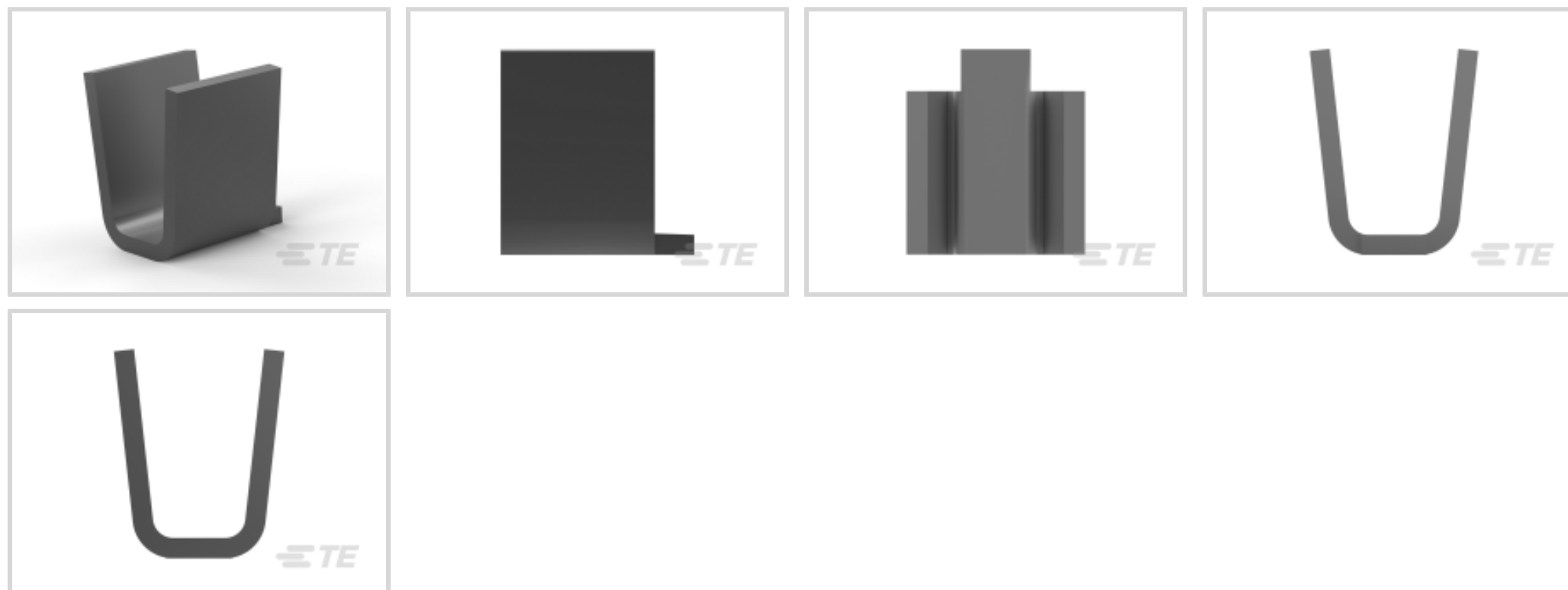
Splices, Thru Splice / Pigtail Splice, Serrated, 3300 – 9000 CMA

Wire Size, Brass, 3 Serration, Length .152 in [3.86 mm], Reel, Open,

SPLICE

[View on TE.com >](#)

Terminals & Splices > Splices



Sealable: **No**

Splice Features: **Serrated**

Wire Size: **3300 – 9000 CMA**

Contact Base Material: **Brass**

Splice Type: **Pigtail Splice, Thru Splice**

Features

Product Type Features

Sealable	No
Splice Type	Pigtail Splice, Thru Splice
Compatible With Discrete Wire Type	Solid, Stranded
Wire Insulation Support Retention Type	Non-Insulation Support

Configuration Features

Number of Serrations	3
Compatible With Wire & Cable Type	Discrete Wire

Body Features

Product Weight	.229 g
Splice Features	Serrated

Contact Features

Contact Base Material	Brass
Barrel Type	Open

Mechanical Attachment

Wire Insulation Support	Without
-------------------------	---------

Dimensions

Wire Size	3300 – 9000 CMA
Terminal Material Thickness	.51 mm[.02 in]
Product Length	3.86 mm[.152 in]

Usage Conditions

Insulation Option	Uninsulated
Operating Temperature Range	-40 – 110 °C[-40 – 230 °F]

Operation/Application

Compatible With Wire Base Material	Copper
------------------------------------	--------

Industry Standards

Government Qualified Splice	No
-----------------------------	----

Packaging Features

Packaging Quantity	30000
Packaging Method	Reel

Product Compliance

[For compliance documentation, visit the product page on TE.com>](#)

EU RoHS Directive 2011/65/EU	Compliant
EU ELV Directive 2000/53/EC	Compliant
China RoHS 2 Directive MIIT Order No 32, 2016	No Restricted Materials Above Threshold
EU REACH Regulation (EC) No. 1907/2006	Current ECHA Candidate List: JUNE 2023 (235) Candidate List Declared Against: JUNE 2023 (235) Does not contain REACH SVHC
Halogen Content	Low Halogen - Br, Cl, F, I < 900 ppm per homogenous material. Also BFR/CFR/PVC Free
Solder Process Capability	Not applicable for solder process capability

Product Compliance Disclaimer

This information is provided based on reasonable inquiry of our suppliers and represents our current actual knowledge based on the information they provided. This information is subject to change. The part numbers that TE has identified as EU RoHS compliant have a maximum concentration of 0.1% by weight in homogenous materials for lead, hexavalent

chromium, mercury, PBB, PBDE, DBP, BBP, DEHP, DIBP, and 0.01% for cadmium, or qualify for an exemption to these limits as defined in the Annexes of Directive 2011/65/EU (RoHS2). Finished electrical and electronic equipment products will be CE marked as required by Directive 2011/65/EU. Components may not be CE marked. Additionally, the part numbers that TE has identified as EU ELV compliant have a maximum concentration of 0.1% by weight in homogenous materials for lead, hexavalent chromium, and mercury, and 0.01% for cadmium, or qualify for an exemption to these limits as defined in the Annexes of Directive 2000/53/EC (ELV). Regarding the REACH Regulation, the information TE provides on SVHC in articles for this part number is based on the latest European Chemicals Agency (ECHA) 'Guidance on requirements for substances in articles' posted at this URL: <https://echa.europa.eu/guidance-documents/guidance-on-reach>

Compatible Parts



TE Part # 160660-2
SPLICE 22-18 AWG .013 TPBR



TE Part # 140723-2
SPLICE 22-16 AWG .02 TPBR



TE Part # 2-4150059-1
OCEAN-2.0-APPLICATOR-E-140F



TE Part # 2-4150059-2
OCEAN-2.0-APPLICATOR-E-140F



TE Part # 4150059-1
OCEAN-2.0-APPLICATOR-E-140F



TE Part # 7-4150059-1
OCEAN-2.0-APPLICATOR-E-140F



TE Part # 7-4150059-2
OCEAN-2.0-APPLICATOR-E-140F



TE Part # 7-4150059-7
OCEAN_2.0_SPARE_PART_KIT-140F



TE Part # 4150059-2
OCEAN-2.0-APPLICATOR-E-140F

Also in the Series | SPLICE



Crimp Wire Pins, Tabs & Ferrules(1)



Splices(64)

Customers Also Bought



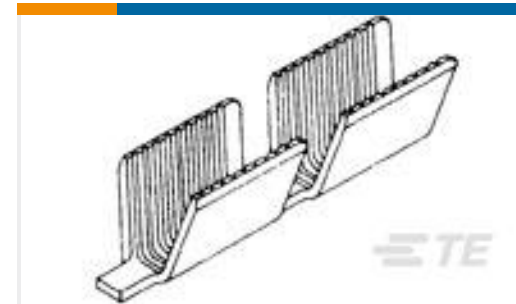
TE Part #1-327717-2
PIDG SPD 22-16 COMM 22-18MIL 4



TE Part #1625966-9
HSA10 15K 5%



TE Part #62109-1
250 FASTON REC 18-14 AWG BR



TE Part #62310-2
AMVAR SPLC 7000-13000 025TPBR



TE Part #5677584004
RNF-3000-9/3-0-SP



TE Part #2217000-1
G II CE TERMINATOR



TE Part #350851-7
UMNL SOK 24-18 AUNIBR



TE Part #1-929089-1
3POS MQS FFC REC COD A



TE Part #ZPF000000000106308
787-0015-01

Documents

Product Drawings

[SPLICE 3300 TO 9000 CMA TPBR](#)

English

CAD Files

[3D PDF](#)

3D

Customer View Model

[ENG_CVM_CVM_40552_BB_c-40552-bb.2d_dxf.zip](#)

English

Customer View Model

[ENG_CVM_CVM_40552_BB_c-40552-bb.3d_igs.zip](#)

English

Customer View Model

[ENG_CVM_CVM_40552_BB_c-40552-bb.3d_stp.zip](#)

English

By downloading the CAD file I accept and agree to the [Terms and Conditions](#) of use.



Product Specifications

Application Specification

English

Product Environmental Compliance

MD_40552_05222015252_dmtec

English

MD_40552_05222015252_dmtec

English

Agency Approvals

CSA Certificate

English