

4-520935-2 ✓ ACTIVE

Positive Lock | Mark II, Positive Lock 250

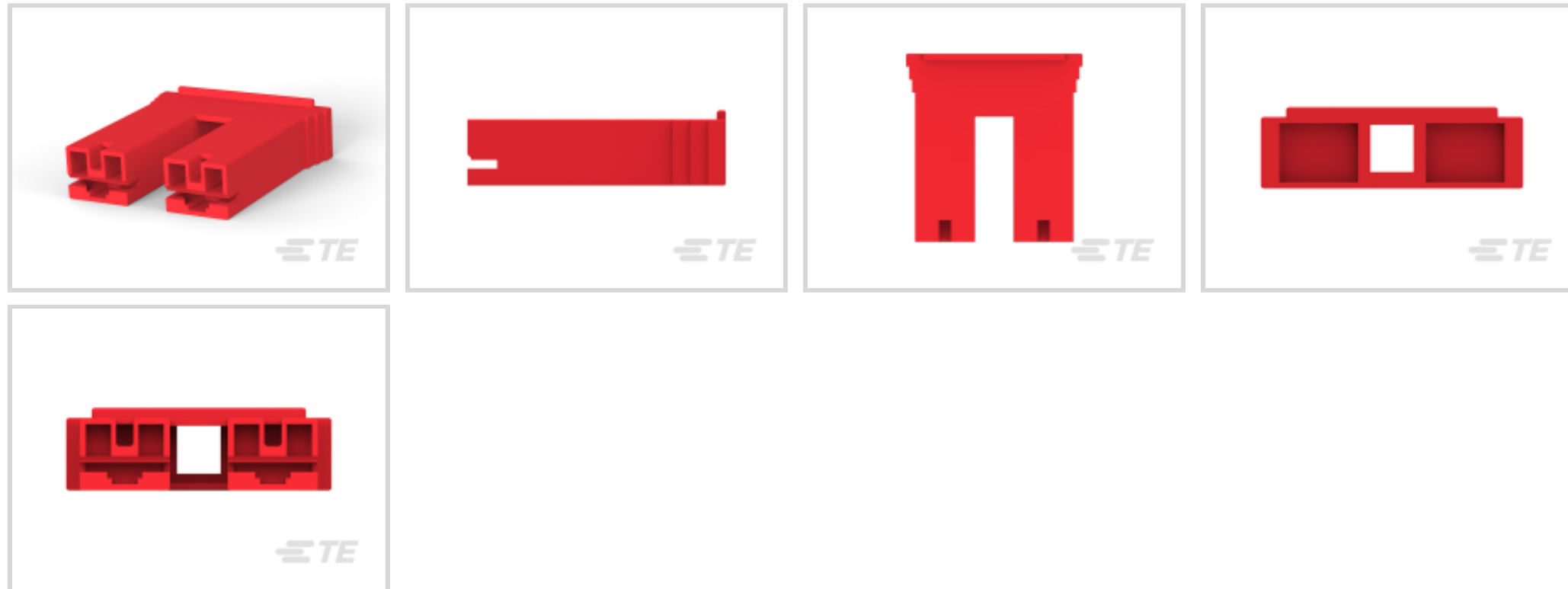
TE Internal #: 4-520935-2

Crimp Terminal Housings, Receptacle, Receptacle, 2 Position, Straight, UL 94V-0, Red, Nylon, Contact Mating Retention, Positive Lock 250

[View on TE.com >](#)



Terminals & Splices > Terminal Housings, Insulation Sleeves & Blocks > Crimp Terminal Housings



Terminal Type: **Receptacle**

Connector & Housing Type: **Receptacle**

Number of Positions: **2**

Terminal Orientation: **Straight**

UL Flammability Rating: **UL 94V-0**

## Features

### Product Type Features

Sealable	No
Connector System	Wire-to-Board, Wire-to-Wire
Connector & Housing Type	Receptacle

### Configuration Features

Number of Positions	2
---------------------	---

### Body Features

Primary Product Color	Red
-----------------------	-----

### Contact Features

Terminal Type	Receptacle
Terminal Orientation	Straight
Contact Mating Retention	With

### Mechanical Attachment

Mating Alignment Type	Polarization
-----------------------	--------------



Mating Alignment	With
Connector Mounting Type	Cable Mount (Free-Hanging)

### Housing Features

Housing Material	Nylon
Centerline (Pitch)	15.11 mm[.595 in]

### Usage Conditions

Operating Temperature Range	-40 – 130 °C[-40 – 266 °F]
-----------------------------	----------------------------

### Industry Standards

Glow Wire Rating	GWT 750°C (Without Flame)
UL Flammability Rating	UL 94V-0

### Packaging Features

Packaging Quantity	1
Packaging Method	Carton

## Product Compliance

[For compliance documentation, visit the product page on TE.com>](#)

EU RoHS Directive 2011/65/EU	Compliant
EU ELV Directive 2000/53/EC	Compliant
China RoHS 2 Directive MIIT Order No 32, 2016	No Restricted Materials Above Threshold
EU REACH Regulation (EC) No. 1907/2006	Current ECHA Candidate List: JUNE 2023 (235) Candidate List Declared Against: JUNE 2023 (235) Does not contain REACH SVHC
Halogen Content	Not Low Halogen - contains Br or Cl > 900 ppm.
Solder Process Capability	Not reviewed for solder process capability

#### Product Compliance Disclaimer

This information is provided based on reasonable inquiry of our suppliers and represents our current actual knowledge based on the information they provided. This information is subject to change. The part numbers that TE has identified as EU RoHS compliant have a maximum concentration of 0.1% by weight in homogenous materials for lead, hexavalent chromium, mercury, PBB, PBDE, DBP, BBP, DEHP, DIBP, and 0.01% for cadmium, or qualify for an exemption to these limits as defined in the Annexes of Directive 2011/65/EU (RoHS2). Finished electrical and electronic equipment products will be CE marked as required by Directive 2011/65/EU. Components may not be CE marked. Additionally, the part numbers that TE has identified as EU ELV compliant have a maximum concentration of 0.1% by weight in homogenous materials for lead, hexavalent chromium, and mercury, and 0.01% for cadmium, or qualify for an exemption to these limits as defined in the Annexes of Directive 2000/53/EC (ELV). Regarding the REACH Regulation, the information TE provides

on SVHC in articles for this part number is based on the latest European Chemicals Agency (ECHA) 'Guidance on requirements for substances in articles' posted at this URL: <https://echa.europa.eu/guidance-documents/guidance-on-reach>

## Compatible Parts



TE Part # 63933-2  
250 PL MKIII REC. 22-18AWG TPBR



TE Part # 63854-1  
250 PL MKIII REC. 18-14AWG BR



TE Part # 63854-2  
250 PL MKIII REC. 18-14AWG TPBR



TE Part # 63933-1  
PL .250 TERMINAL REC 22-18 AWG BR



TE Part # 1217092-1  
PL 250 TERMINAL RECEPTACLE 16-12 AWG BR



TE Part # 1217092-2  
PL 250 TERMINAL REC 16-12 AWG TPBR

## Also in the Series | Mark II



Automotive Housings(8)



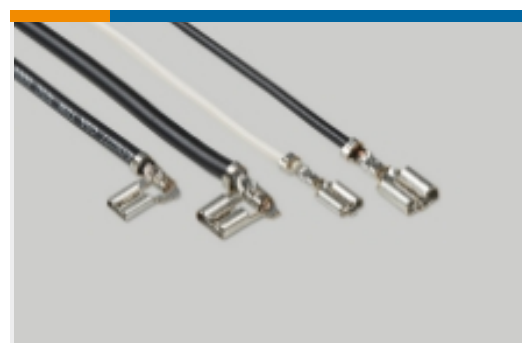
Automotive Terminals(22)



Crimp Terminal Housings(76)

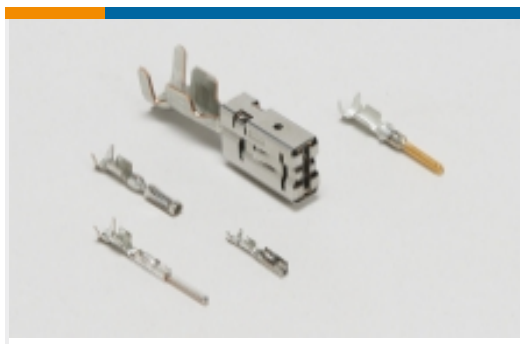


Insertion & Extraction Tools(2)

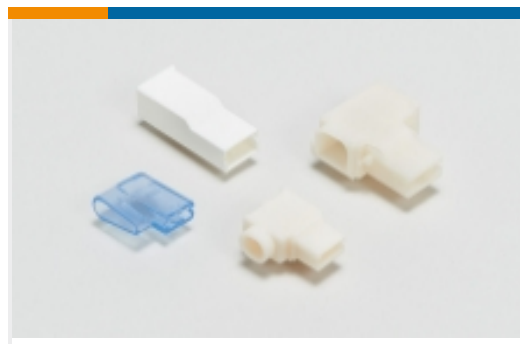


Quick Disconnects(57)

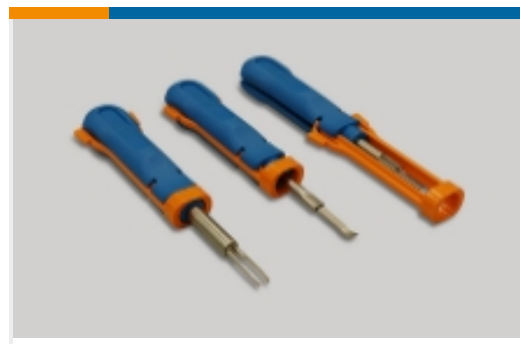
## Also in the Series | Positive Lock 250



Automotive Terminals(1)



Crimp Terminal Housings(193)



Insertion & Extraction Tools(3)

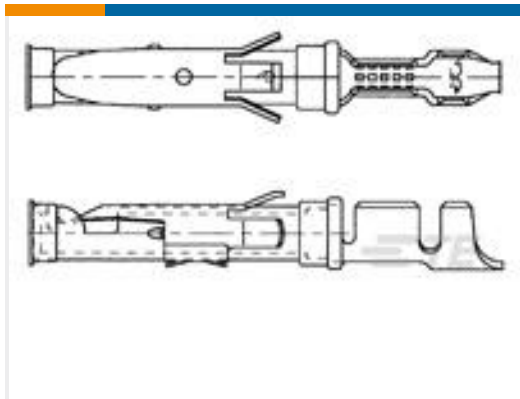


Insulation Boots & Sleeves(4)



Quick Disconnects(186)

## Customers Also Bought



TE Part #163087-1  
.062 DIA SOC.ASS.3+



TE Part #2141861-3  
MCON 1.2 LL REC SRC AG



TE Part #2282268-1  
10POS,NANOMQS,REC HSG,CODA



TE Part #2834313-2  
4.0PITCH ITB CONN\_2P\_WO  
CAP\_NATURAL



TE Part #2109197-1  
025/060/250 HYB LIF 41P CAP AS



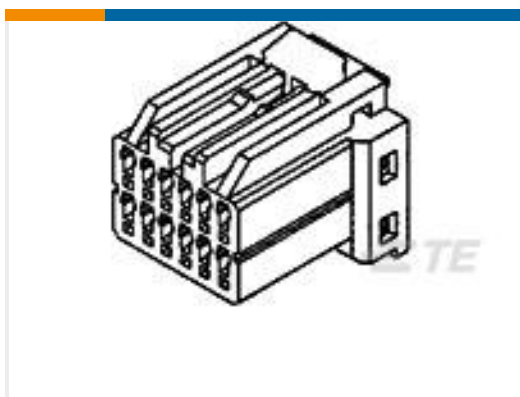
TE Part #826652-3  
3P AMPMODU II STIFT LEI



TE Part #2005510-2  
SQUIB AK2 PLUG HSG1



TE Part #4-520935-3  
250 HSG. PL MKII REC. 15.11mm 2P  
BLUE



TE Part #175964-1  
I/O PLUG ASSY .040 8P

## Documents



### Product Drawings

#### PL 250 HOUSING REC RED

English

---

### CAD Files

#### 3D PDF

3D

#### Customer View Model

[ENG\\_CVM\\_CVM\\_4-520935-2\\_AW.2d\\_dxf.zip](#)

English

#### Customer View Model

[ENG\\_CVM\\_CVM\\_4-520935-2\\_AW.3d\\_igs.zip](#)

English

#### Customer View Model

[ENG\\_CVM\\_CVM\\_4-520935-2\\_AW.3d\\_stp.zip](#)

English

By downloading the CAD file I accept and agree to the [Terms and Conditions](#) of use.

---

### Product Specifications

#### Engineering Report

English

---

### Product Environmental Compliance

#### TE Material Declaration

English

[MD\\_4-520935-2\\_02182019118\\_dmtec](#)

English

[MD\\_4-520935-2\\_02182019118\\_dmtec](#)

English