



SFP56

TE Internal #: 4-2821224-5

SFP56 Cable Assembly, 4 Positions, 9.84 ft [3 m], 56 Gb/s, Black Cable, Shielded, 26 AWG, .129 mm<sup>2</sup>, Madison TurboTwin - Round Jacketed, SFP56 Plug

[View on TE.com >](#)

Cable Assemblies > Copper Cable Assemblies > Pluggable I/O Cable Assemblies > SFP56 to SFP56 Cable Assembly: 26 AWG



Cable Assembly Type: **SFP56**

Equalized: **No**

Wire Size: **.129 mm<sup>2</sup>**

Outside Cable Diameter: **5.96 mm [ .235 in ]**

[All SFP56 to SFP56 Cable Assembly: 26 AWG \(5\)](#)

## Features

### Product Type Features

Cable Assembly Category	High Speed, Industry Standard
Cable Assembly Type	SFP56
Connector Type (End A)	SFP56 Plug
Connector Type (End B)	SFP56 Plug
Cable Style	Madison TurboTwin - Round Jacketed

### Configuration Features

Number of Positions	4
Number of Pairs	2
Number of Signal Positions	4

### Electrical Characteristics

Impedance	100 Ω
-----------	-------

### Signal Characteristics

Data Rate	56 Gb/s
-----------	---------



### Body Features

Equalized	No
Cable Color	Black
Cable Flammability Rating	CL2

### Dimensions

Wire Size	.129 mm <sup>2</sup>
Outside Cable Diameter	5.96 mm[.235 in]

### Operation/Application

Shielded	Yes
Halogen Free	No

### Other

Cable Assembly Length	3 m[9.84 ft]
-----------------------	--------------

### Product Compliance

[For compliance documentation, visit the product page on TE.com>](#)

EU RoHS Directive 2011/65/EU	Compliant with Exemptions
EU ELV Directive 2000/53/EC	Compliant
China RoHS 2 Directive MIIT Order No 32, 2016	Restricted Materials Above Threshold
EU REACH Regulation (EC) No. 1907/2006	Current ECHA Candidate List: JUNE 2023 (235) Candidate List Declared Against: JUNE 2023 (235) SVHC > Threshold: TBPH (15% in Component Part) MCCP (.11% in Component Part) <b>Article Safe Usage Statements:</b> Wash thoroughly after handling. Do not handle until all safety precautions have been read and understood. Recycle if possible and dispose of the article by following all applicable governmental regulations relevant to your geographic location.
Halogen Content	Not Low Halogen - contains Br or Cl > 900 ppm.
Solder Process Capability	Not applicable for solder process capability

#### Product Compliance Disclaimer

This information is provided based on reasonable inquiry of our suppliers and represents our current actual knowledge based on the information they provided. This information is subject to change. The part numbers that TE has identified as EU RoHS compliant have a maximum concentration of 0.1% by weight in homogenous materials for lead, hexavalent chromium, mercury, PBB, PBDE, DBP, BBP, DEHP, DIBP, and 0.01% for cadmium, or qualify for an exemption to these limits as defined in the Annexes of Directive 2011/65/EU (RoHS2). Finished electrical and electronic equipment products will be CE marked as required by Directive 2011/65/EU. Components may not be CE marked. Additionally, the part numbers that TE has identified as EU ELV compliant have a maximum concentration of 0.1% by weight in homogenous

materials for lead, hexavalent chromium, and mercury, and 0.01% for cadmium, or qualify for an exemption to these limits as defined in the Annexes of Directive 2000/53/EC (ELV). Regarding the REACH Regulation, the information TE provides on SVHC in articles for this part number is based on the latest European Chemicals Agency (ECHA) 'Guidance on requirements for substances in articles' posted at this URL: <https://echa.europa.eu/guidance-documents/guidance-on-reach>

## Compatible Parts



TE Part # CAT-Z8-P6507  
zSFP+ Stacked Cage Assembly: Gasket



TE Part # CAT-SF59-C117ST123  
SFP+ Stacked Cage Assemblies



TE Part # CAT-Z8-P650632  
zSFP+ Cage Assembly: EMI Springs



TE Part # CAT-Z8-P650796  
zSFP+ Stacked Cage Assembly: EMI Spring



TE Part # 2007135-1  
SFP+ 1x4 CageAssembly w/ EMI gasket



TE Part # 2007180-1  
SFP+ 1X2 CAGE ASSM/LIGHTPIPE, EMI GASKET



TE Part # 2007254-1  
SFP+ 1x1 Cage Assembly, Light Pipe



TE Part # 2198230-2  
SFP+ Enhanced 1x2, SAN Heatsink



TE Part # 2198230-1  
SFP+ Enhanced 1x2, PCI Heatsink



TE Part # 2170030-1  
SFP+ 1x4 w/ Ultra Low Profile LP



TE Part # 2007194-2  
SFP+ 1x1 Cage Assembly, PCI, Solder Tail



TE Part # 2007181-1  
SFP+ 1x2 Cage Assy, EMI Gasket Tail



TE Part # 2007194-1  
SFP+ 1x1 Cage Assembly, PCI, Solder Tail



TE Part # 2170088-2  
ZSFP+ Connector, 15u"



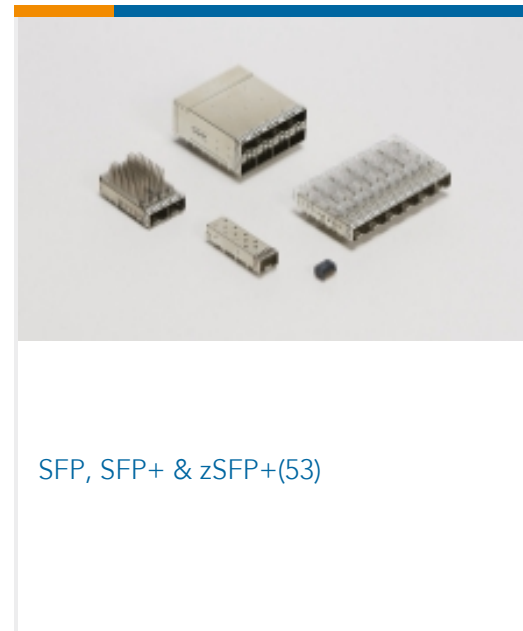
TE Part # 2291634-3  
SFP+ 1X1 CAGE ASSY, PF, WITH HEATSINK



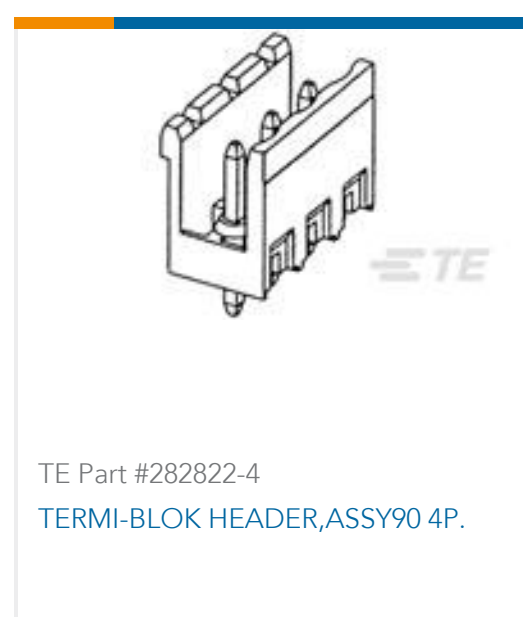
TE Part # 2007251-1  
SFP+ 1x6 Cage Assembly



## Also in the Series | SFP56



## Customers Also Bought







## Documents

### CAD Files

#### 3D PDF

3D

#### Customer View Model

[ENG\\_CVM\\_CVM\\_4-2821224-5\\_E.2d\\_dxf.zip](#)

English

#### Customer View Model

[ENG\\_CVM\\_CVM\\_4-2821224-5\\_E.3d\\_igs.zip](#)

English

#### Customer View Model

[ENG\\_CVM\\_CVM\\_4-2821224-5\\_E.3d\\_stp.zip](#)

English

By downloading the CAD file I accept and agree to the [Terms and Conditions](#) of use.

### Product Specifications

#### Product Specification

English