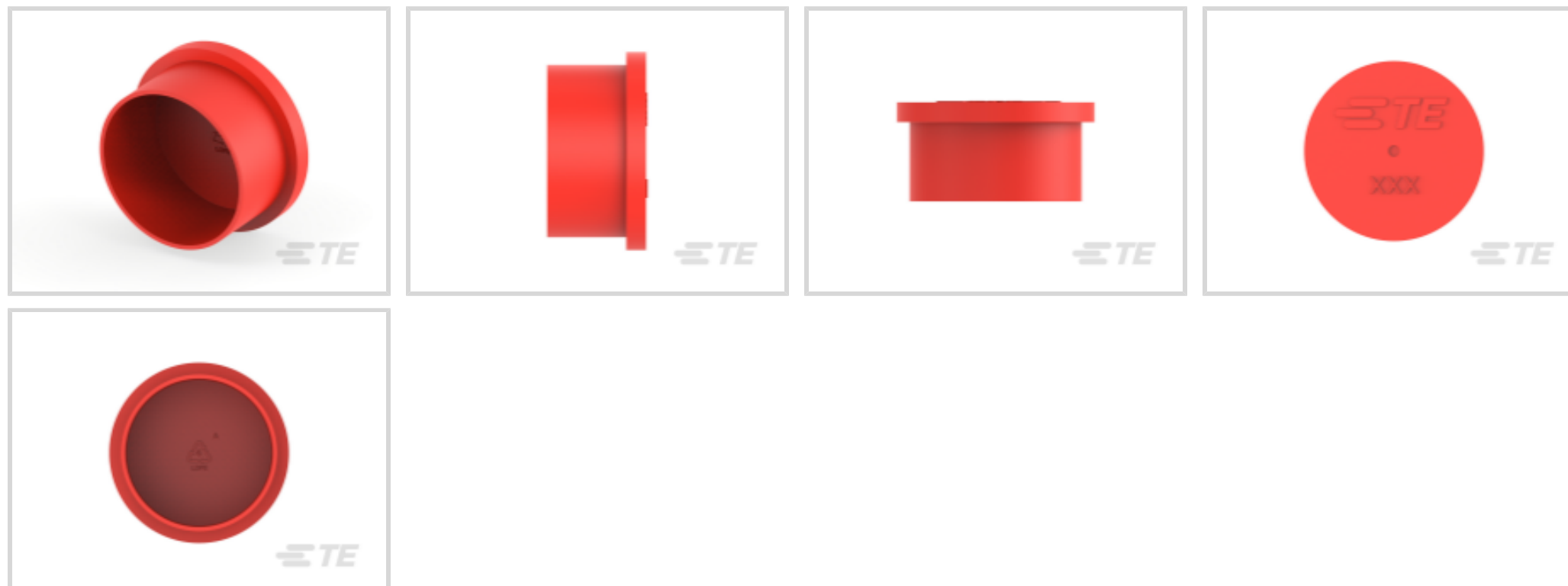




Connectors > Circular Connectors > Circular Connector Accessories > Circular Connector Caps & Covers



Connector Cover Type: **Protective Cap**

Compatible With Connector Shell Size: 17

Operating Temperature Range: -20 – 80 °C [-4 – 176 °F]

## Features

### Product Type Features

Connector Cover Type	Protective Cap
----------------------	----------------

### Body Features

Primary Product Material	Thermoplastic
Primary Product Color	Red

### Usage Conditions

Operating Temperature Range	-20 – 80 °C[-4 – 176 °F]
-----------------------------	--------------------------

### Operation/Application

Compatible With Connector Shell Size	17
--------------------------------------	----

## Product Compliance

[For compliance documentation, visit the product page on TE.com>](#)

EU RoHS Directive 2011/65/EU	Compliant
EU ELV Directive 2000/53/EC	Not Yet Reviewed
China RoHS 2 Directive MIIT Order No 32, 2016	No Restricted Materials Above Threshold
EU REACH Regulation (EC) No. 1907/2006	Current ECHA Candidate List: JUNE 2023 (235)

Candidate List Declared Against: JAN 2023  
(233)

Does not contain REACH SVHC

Halogen Content

Low Halogen - Br, Cl, F, I < 900 ppm per homogenous material. Also BFR/CFR/PVC Free

Solder Process Capability

Not reviewed for solder process capability

Product Compliance Disclaimer

This information is provided based on reasonable inquiry of our suppliers and represents our current actual knowledge based on the information they provided. This information is subject to change. The part numbers that TE has identified as EU RoHS compliant have a maximum concentration of 0.1% by weight in homogenous materials for lead, hexavalent chromium, mercury, PBB, PBDE, DBP, BBP, DEHP, DIBP, and 0.01% for cadmium, or qualify for an exemption to these limits as defined in the Annexes of Directive 2011/65/EU (RoHS2). Finished electrical and electronic equipment products will be CE marked as required by Directive 2011/65/EU. Components may not be CE marked. Additionally, the part numbers that TE has identified as EU ELV compliant have a maximum concentration of 0.1% by weight in homogenous materials for lead, hexavalent chromium, and mercury, and 0.01% for cadmium, or qualify for an exemption to these limits as defined in the Annexes of Directive 2000/53/EC (ELV). Regarding the REACH Regulation, the information TE provides on SVHC in articles for this part number is based on the latest European Chemicals Agency (ECHA) 'Guidance on requirements for substances in articles' posted at this URL: <https://echa.europa.eu/guidance-documents/guidance-on-reach>

## Compatible Parts




TE Part # CAT-AM71-C83998J  
Cable/Panel Mount Connector, CPC Series 1



TE Part # CAT-AM71-C83998M  
CPC Connectors, Series 2



TE Part # 1-207369-1  
CPC RECEPT ASSY SIZE 17-28 LF



TE Part # CAT-AM71-C83998U  
Environmentally Sealed Circular Connector, CPC Series 5



TE Part # CAT-AM71-C83998AA  
Two-Piece Receptacle, CPC Series 6



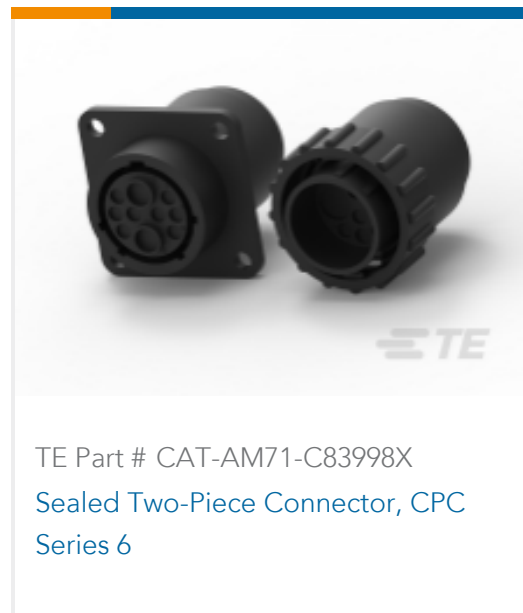
TE Part # CAT-AM71-C83998Y  
One-Piece Connector, Sealed, CPC Series 1



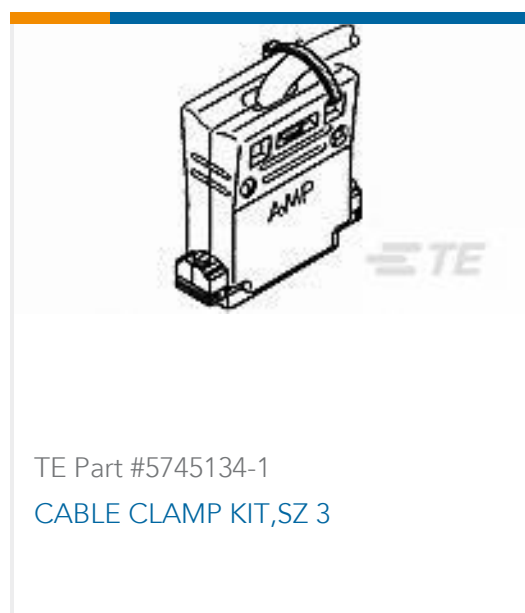
TE Part # 206043-4  
CPC RECPT ASSEMBLY SIZE 17-14



TE Part # CAT-AM71-C83998BB  
CPC SERIES 3



### Customers Also Bought



### Documents



### Product Drawings

[CAP, CPC, SIZE 17 RECP, RED](#)

English

---

### CAD Files

Customer View Model

[ENG\\_CVM\\_CVM\\_4-2407269-3\\_2.3d\\_stp.zip](#)

English

Customer View Model

[ENG\\_CVM\\_CVM\\_4-2407269-3\\_2.2d\\_dxf.zip](#)

English

Customer View Model

[ENG\\_CVM\\_CVM\\_4-2407269-3\\_2.3d\\_igs.zip](#)

English

[3D PDF](#)

3D

By downloading the CAD file I accept and agree to the [Terms and Conditions](#) of use.

---

### Datasheets & Catalog Pages

[Datasheet - CPC Protective Caps](#)

English

---

### Instruction Sheets

[Instruction Sheet \(U.S.\)](#)

English