



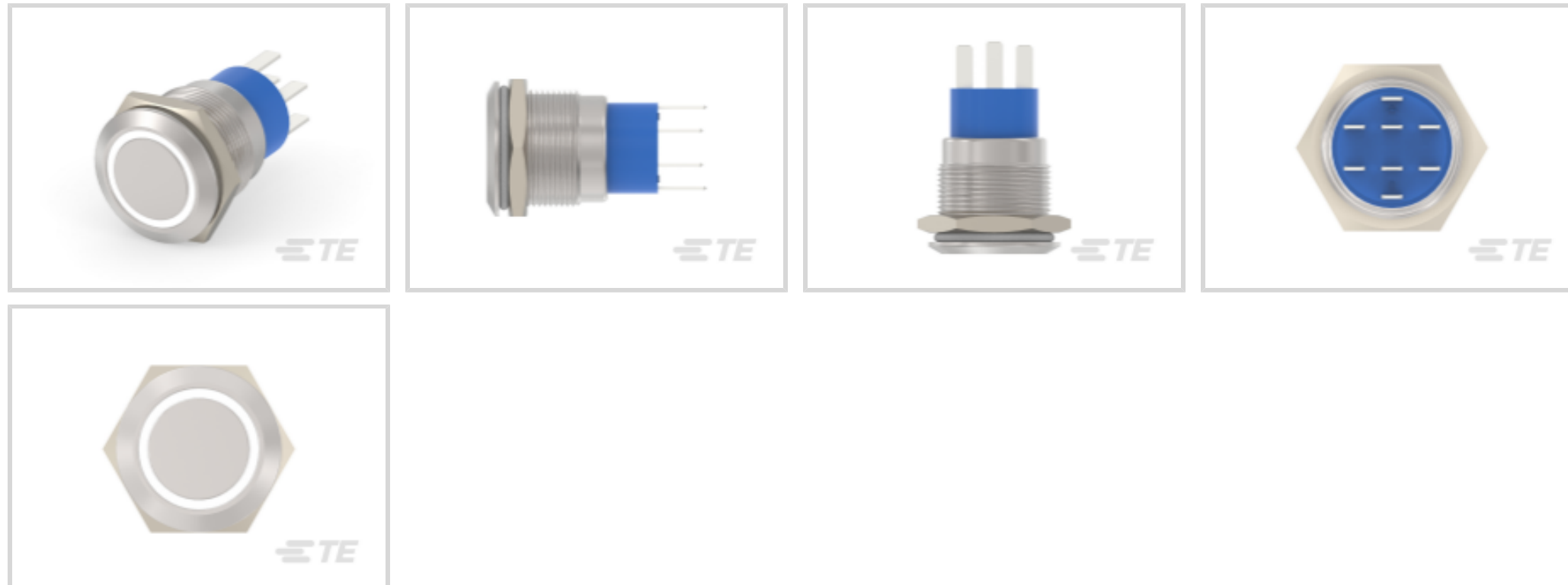
Alcoswitch | Alcoswitch AV19

TE Internal #: 4-2213767-3

Push Button Switches, Double Pole - Single Throw Configuration (Pole-Throw), Anti-Vandal, Single Actuator, Flush Actuator Profile, Alcoswitch AV19

[View on TE.com >](#)

Relays, Contactors & Switches > Switches > Push Button Switches



Configuration (Pole-Throw): **Double Pole - Single Throw**

Push Button Switch Product Type: **Anti-Vandal**

Number of Actuators: **Single**

Actuator Profile: **Flush**

Bushing Style: **Threaded**

Features

Product Type Features

Switch Type	Pushbutton
Dust Proof	Yes
Push Button Switch Product Type	Anti-Vandal
Illuminated	Yes
Actuator Style	Round

Configuration Features

ESD Grounding Terminal	Without
Detent Style	Audible
Configuration (Pole-Throw)	Double Pole - Single Throw
Number of Actuators	Single
Snap Action	Without
Support Bracket	Without
Tactile	No
Operating Function	Momentary



Electrical Characteristics

Push Button Switch Voltage Rating	250 VAC
-----------------------------------	---------

Body Features

Case Material	PBT
Actuator Profile	Flush
Bushing Style	Threaded

Contact Features

Push Button Switch Contact Current Rating	5 A
Switch Contact Plating Material	Silver

Termination Features

Termination Type	Wire Lugs
------------------	-----------

Mechanical Attachment

Mounting Angle	Vertical
Push Button Switch Mounting Type	Panel

Housing Features

Process Sealed	Yes
----------------	-----

Dimensions

19 in

Industry Standards

IP Rating	IP67
-----------	------

Product Compliance

[For compliance documentation, visit the product page on TE.com>](#)

EU RoHS Directive 2011/65/EU	Compliant with Exemptions
EU ELV Directive 2000/53/EC	Compliant with Exemptions
China RoHS 2 Directive MIIT Order No 32, 2016	Restricted Materials Above Threshold
EU REACH Regulation (EC) No. 1907/2006	Current ECHA Candidate List: JUNE 2023 (235) Candidate List Declared Against: JUNE 2023 (235) SVHC > Threshold: Pb (4% in Component Part)

Article Safe Usage Statements:

Do not eat, drink or smoke when using this product. Wash thoroughly after handling. Recycle if possible and dispose of the article by following all applicable governmental regulations relevant to your geographic location.



Halogen Content	Low Halogen - Br, Cl, F, I < 900 ppm per homogenous material. Also BFR/CFR/PVC Free
Solder Process Capability	Not applicable for solder process capability

Product Compliance Disclaimer

This information is provided based on reasonable inquiry of our suppliers and represents our current actual knowledge based on the information they provided. This information is subject to change. The part numbers that TE has identified as EU RoHS compliant have a maximum concentration of 0.1% by weight in homogenous materials for lead, hexavalent chromium, mercury, PBB, PBDE, DBP, BBP, DEHP, DIBP, and 0.01% for cadmium, or qualify for an exemption to these limits as defined in the Annexes of Directive 2011/65/EU (RoHS2). Finished electrical and electronic equipment products will be CE marked as required by Directive 2011/65/EU. Components may not be CE marked. Additionally, the part numbers that TE has identified as EU ELV compliant have a maximum concentration of 0.1% by weight in homogenous materials for lead, hexavalent chromium, and mercury, and 0.01% for cadmium, or qualify for an exemption to these limits as defined in the Annexes of Directive 2000/53/EC (ELV). Regarding the REACH Regulation, the information TE provides on SVHC in articles for this part number is based on the latest European Chemicals Agency (ECHA) 'Guidance on requirements for substances in articles' posted at this URL: <https://echa.europa.eu/guidance-documents/guidance-on-reach>

Compatible Parts



TE Part # 2213763-1
AV19 SPM 5A NO LED



TE Part # 3-2213766-7
AV19 SPL 5A POWER LED BLUE 12V



TE Part # 2213763-5
AV19 DPM 5A NO LED




TE Part # 2213763-7
AV19 DPL 3A NO LED



TE Part # 2213767-3
AV19 SPM 5A MOVE RING LED
WHITE 24V

Also in the Series | Alcoswitch AV19



Push Button Switches(472)

Customers Also Bought



TE Part #1-2178712-0
10P, MOW, MICRO-MATCH VALUE LINE



TE Part #1487587-1
USB, A-B, 28/26, WHITE, 1.0M



TE Part #180429-2
250 FASTON, FLAG, REC., 17-14 AWG, TPBR



TE Part #7-520366-2
ULTRAFAST 110 ASSY REC 26-22 TPBR LP



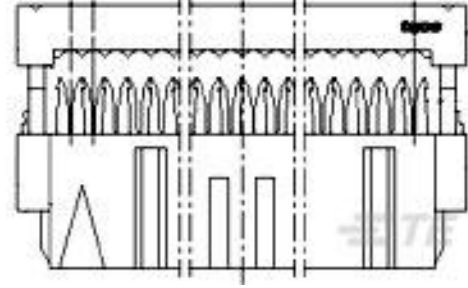
TE Part #322447
TERMINAL, SOLIS R 12-10 4



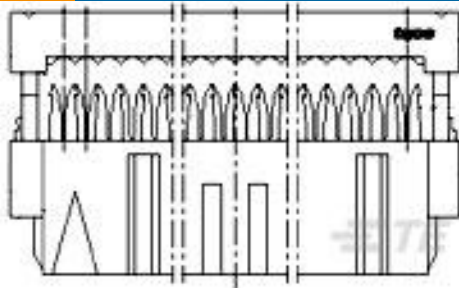
TE Part #1624202-2
23SE 10KA 6.35X50FL B7 CAT



TE Part #4-2213767-5
AV19 DPM 5A MOVE RING LED RED 12V



TE Part #1-215915-4
AMP-LATCH 15.2 HIGH TAPE



TE Part #1-215915-0
AMP-LATCH 15.2 HIGH TAPE

Documents

Product Drawings

[AV19 DPM 5A MOVE RING LED WHITE 24V](#)

English

CAD Files

[3D PDF](#)

3D

Customer View Model

[ENG_CVM_CVM_4-2213767-3_A.2d_dxf.zip](#)

English

Customer View Model

[ENG_CVM_CVM_4-2213767-3_A.3d_igs.zip](#)

English

Customer View Model

[ENG_CVM_CVM_4-2213767-3_A.3d_stp.zip](#)

English

By downloading the CAD file I accept and agree to the [Terms and Conditions](#) of use.



Datasheets & Catalog Pages

[ALCOSWITCH Anti-Vandal Switch flyer](#)

English

Agency Approvals

[UL Report](#)

English