

4-2213480-1 ✓ ACTIVE

LUMAWISE | LUMAWISE LED Holders

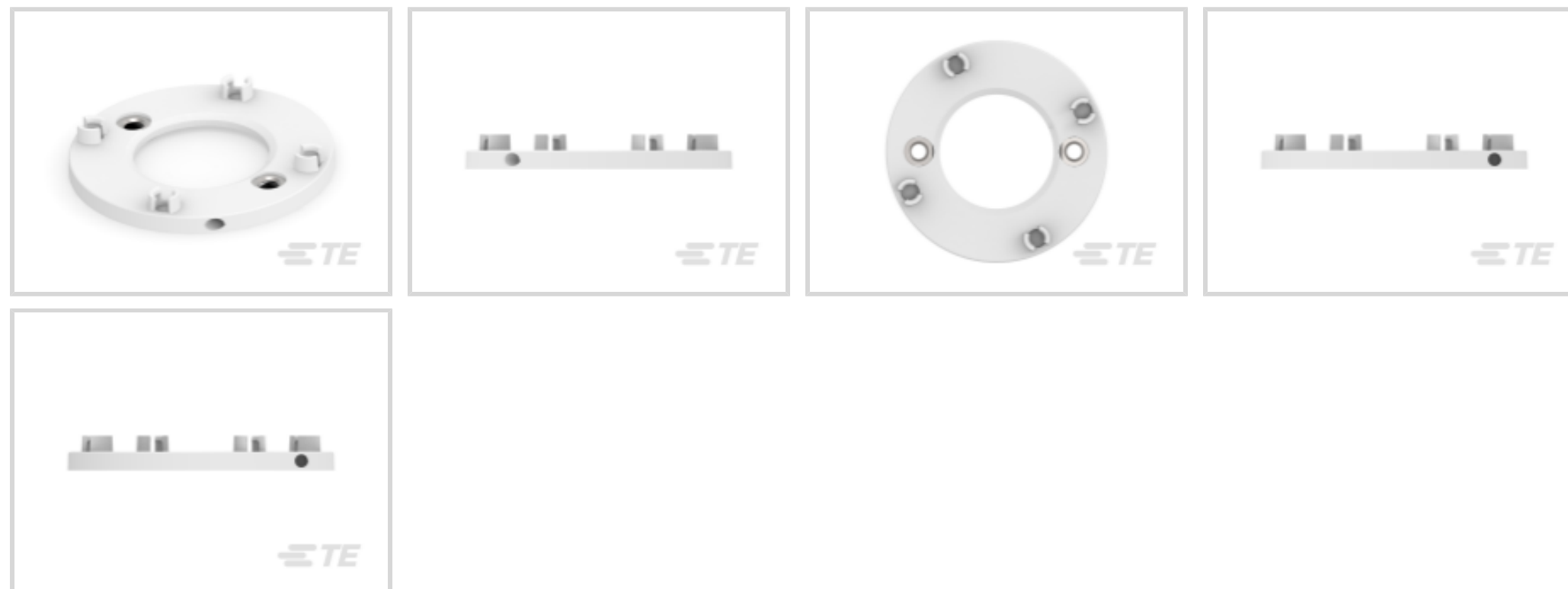
TE Internal #: 4-2213480-1

LED Holders, Edison Opto 2PHM40X / Citizen CLU 044 / Citizen CLU 046, Optic Compatible / Zhaga Inspired, 60 VDC, Poke-In, LUMAWISE LED Holders

[View on TE.com >](#)



Connectors > Lighting Connectors > LED Holders > Z50 Low Profile LED Holders



Compatible LED: Bridgelux V22, Citizen CLL040, Citizen CLL042, Citizen CLU 044, Citizen CLU 046, Citizen CLU048-1212C4, Citizen CLU730, Citizen CLU731, Cree CMT 2890, Edison Opto 2PHM40X, LG Innotek LEMWM28C80HZxxxx, LG Innotek LEMWM28C80LZxxxx, Lumileds 1216, Lumileds LUXEON CoB 1211, Luminus CGM-22 GEN 4, Luminus CHM 22, Luminus CHM-14-XH20, Luminus CLM-22 GEN 4, Luminus CXM-22 GEN 3/GEN 4, Panasonic DMC 12CC, Panasonic DMC 17CC, Panasonic DMS 120, Panasonic DMS 150, Panasonic DSM12CC40G, Samsung LC040D, Samsung LC060D, Samsung LC080D, Seoul SAWx22AAA, Seoul SDW05FIC, Seoul SDW85FIC, Seoul ZC40

Lighting Connector Features Included: Optic Compatible, Zhaga Inspired

Operating Voltage: 60 VDC

Termination Method to Wire & Cable: Poke-In

Number of Positions: 1

[All Z50 Low Profile LED Holders \(10\)](#)

## Features

### Product Type Features

COB Substrate Thickness	1 mm
Connector & Contact Terminates To	Printed Circuit Board

### Configuration Features

Lighting Connector Features Included	Optic Compatible, Zhaga Inspired
Number of Positions	1

### Electrical Characteristics

Operating Voltage	60 VDC
-------------------	--------

### Body Features



## Compatible LED

Bridgelux V22, Citizen CLL040, Citizen CLL042, Citizen CLU 044, Citizen CLU 046, Citizen CLU048-1212C4, Citizen CLU730, Citizen CLU731, Cree CMT 2890, Edison Opto 2PHM40X, LG Innotek LEMWWM28C80HZxxxx, LG Innotek LEMWWM28C80LZxxxx, Lumileds 1216, Lumileds LUXEON CoB 1211, Luminus CGM-22 GEN 4, Luminus CHM 22, Luminus CHM-14-XH20, Luminus CLM-22 GEN 4, Luminus CXM-22 GEN 3/GEN 4, Panasonic DMC 12CC, Panasonic DMC 17CC, Panasonic DMS 120, Panasonic DMS 150, Panasonic DSM12CC40G, Samsung LC040D, Samsung LC060D, Samsung LC080D, Seoul SAWx22AAA, Seoul SDW05FIC, Seoul SDW85FIC, Seoul ZC40

## Contact Features

Contact Mating Area Plating Material	Gold
Contact Current Rating (Max)	3 A

## Termination Features

Termination Method to Wire & Cable	Poke-In
------------------------------------	---------

## Usage Conditions

Operating Temperature Range	-40 – 105 °C[-40 – 105 °F]
-----------------------------	----------------------------

## Operation/Application

Circuit Application	Power
---------------------	-------

## Product Compliance

[For compliance documentation, visit the product page on TE.com>](#)

EU RoHS Directive 2011/65/EU	Compliant
EU ELV Directive 2000/53/EC	Compliant
China RoHS 2 Directive MIIT Order No 32, 2016	No Restricted Materials Above Threshold
EU REACH Regulation (EC) No. 1907/2006	Current ECHA Candidate List: JUNE 2023 (235) Candidate List Declared Against: JUNE 2023 (235) Does not contain REACH SVHC
Halogen Content	Low Halogen - Br, Cl, F, I < 900 ppm per homogenous material. Also BFR/CFR/PVC Free
Solder Process Capability	Not reviewed for solder process capability

Product Compliance Disclaimer

This information is provided based on reasonable inquiry of our suppliers and represents our current actual knowledge based on the information they provided. This information is subject to change. The part numbers that TE has identified as EU RoHS compliant have a maximum concentration of 0.1% by weight in homogenous materials for lead, hexavalent chromium, mercury, PBB, PBDE, DBP, BBP, DEHP, DIBP, and 0.01% for cadmium, or qualify for an exemption to these limits as defined in the Annexes of Directive 2011/65/EU (RoHS2). Finished electrical and electronic equipment products will be CE marked as required by Directive 2011/65/EU. Components may not be CE marked. Additionally, the part numbers that TE has identified as EU ELV compliant have a maximum concentration of 0.1% by weight in homogenous materials for lead, hexavalent chromium, and mercury, and 0.01% for cadmium, or qualify for an exemption to these limits as defined in the Annexes of Directive 2000/53/EC (ELV). Regarding the REACH Regulation, the information TE provides on SVHC in articles for this part number is based on the latest European Chemicals Agency (ECHA) 'Guidance on requirements for substances in articles' posted at this URL: <https://echa.europa.eu/guidance-documents/guidance-on-reach>

### Compatible Parts




TE Part # 2271203-1  
2PIN WIRE TO WIRE CONNECTOR



TE Part # CAT-L6267-B2125B  
LIGHT-N-LOK Modular Latched Plugs




TE Part # CAT-L97-L4981C  
Mini LED Holders Z35



TE Part # CAT-L97-L4981B  
LED Holders, Z45

### Also in the Series | LUMAWISE LED Holders



LED Holders(79)

### Customers Also Bought



TE Part #2213730-1  
LIGHT CONTROLLER BASE ASSEMBLY, 76MM DIA



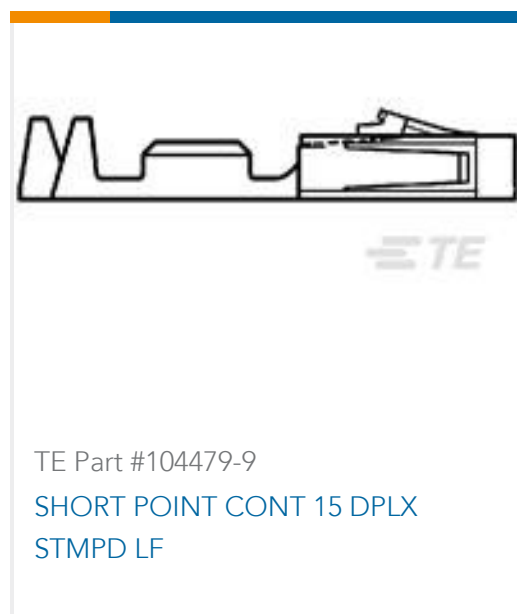
TE Part #2213480-1  
LUMAWISE Z50 HOLDER 2828 GENERAL



TE Part #322906  
TERMINAL,SOLIS R 90DEG 1/0 3/8



TE Part #1445049-2  
FREE HANG SNGL ROW HSG 2 POS



## Documents

### Product Drawings

#### LUMAWISE Z50 HOLDER 2828 LEDIL

English

### CAD Files

#### 3D PDF

3D

#### Customer View Model

[ENG\\_CVM\\_CVM\\_4-2213480-1\\_C.2d\\_dxf.zip](#)

English

#### Customer View Model

[ENG\\_CVM\\_CVM\\_4-2213480-1\\_C.3d\\_igs.zip](#)

English

#### Customer View Model

[ENG\\_CVM\\_CVM\\_4-2213480-1\\_C.3d\\_stp.zip](#)

English

By downloading the CAD file I accept and agree to the [Terms and Conditions](#) of use.

### Datasheets & Catalog Pages

#### LUMAWISE LED HOLDERS + LEDiL ELISE REFLECTORS

English

#### LUMAWISE TYPE Z LED HOLDERS

English

### Product Specifications

#### LUMAWISE Z50 High-Performance Light Emitting Diode (LED) Holders

English



## LUMAWISE Z50 High Performance Light Emitting Diode (LED) Holders

English