



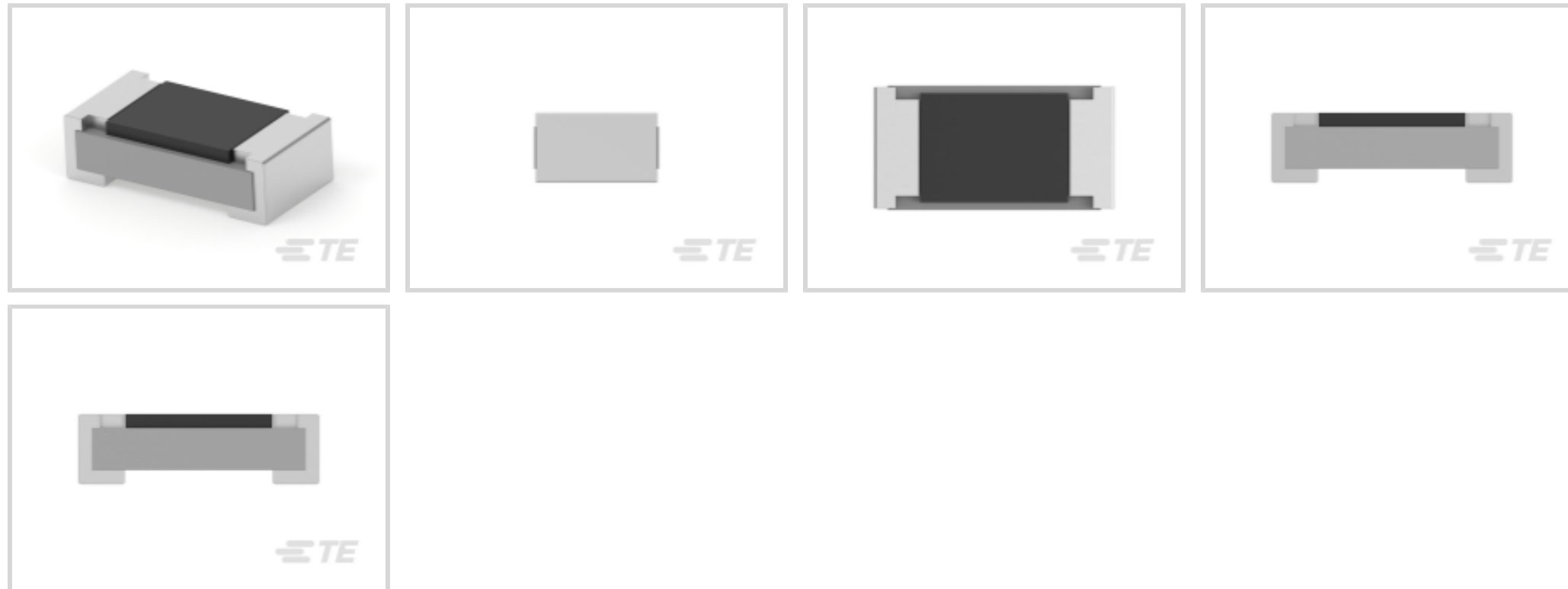
Neohm | Neohm CPF

TE Internal #: 4-2176237-2

10K Ω , Thin Film, Precision Resistor, .1 %, 2 Termination, 0603,
Taped & Reeled, .0625 W, ± 25 ppm/ $^{\circ}\text{C}$, Solder, 1.55 x .8 x .45 mm,
Neohm CPF

[View on TE.com >](#)

Passive Components > Resistors > Surface Mount Resistors



Resistor Type: **Precision Resistor**

Number of Terminations: **2**

Package Size Code: **0603**

Packaging Method: **Taped & Reeled**

Passive Component Tolerance: **.1 %**

Features

Product Type Features

Product Type	Fixed Resistor
Resistor Type	Precision Resistor
Package Size Code	0603
Element Type	Thin Film

Configuration Features

Number of Resistors	1
---------------------	---

Electrical Characteristics

Voltage Rating	50 V
Passive Component Tolerance	.1 %
Resistance Class	1k Ω – 1M Ω
Resistance Value	10K Ω
Power Rating	.0625 W

Termination Features

Number of Terminations	2
------------------------	---



Surface Mount Resistor Termination Type	Solder
---	--------

Dimensions

Passive Component Dimensions	1.55 x .8 x .45 mm
------------------------------	--------------------

Usage Conditions

Operating Temperature Range	-55 – 155 °C
Temperature Coefficient	±25 ppm/°C

Packaging Features

Packaging Method	Taped & Reeled
------------------	----------------

Product Compliance

[For compliance documentation, visit the product page on TE.com>](#)

EU RoHS Directive 2011/65/EU	Compliant
EU ELV Directive 2000/53/EC	Compliant
China RoHS 2 Directive MIIT Order No 32, 2016	No Restricted Materials Above Threshold
EU REACH Regulation (EC) No. 1907/2006	Current ECHA Candidate List: JUNE 2023 (235) Candidate List Declared Against: JUNE 2023 (235) Does not contain REACH SVHC
Halogen Content	BFR/CFR/PVC Free, but Br/Cl >900 ppm in other sources.
Solder Process Capability	Reflow solder capable to 260°C

Product Compliance Disclaimer

This information is provided based on reasonable inquiry of our suppliers and represents our current actual knowledge based on the information they provided. This information is subject to change. The part numbers that TE has identified as EU RoHS compliant have a maximum concentration of 0.1% by weight in homogenous materials for lead, hexavalent chromium, mercury, PBB, PBDE, DBP, BBP, DEHP, DIBP, and 0.01% for cadmium, or qualify for an exemption to these limits as defined in the Annexes of Directive 2011/65/EU (RoHS2). Finished electrical and electronic equipment products will be CE marked as required by Directive 2011/65/EU. Components may not be CE marked. Additionally, the part numbers that TE has identified as EU ELV compliant have a maximum concentration of 0.1% by weight in homogenous materials for lead, hexavalent chromium, and mercury, and 0.01% for cadmium, or qualify for an exemption to these limits as defined in the Annexes of Directive 2000/53/EC (ELV). Regarding the REACH Regulation, the information TE provides on SVHC in articles for this part number is based on the latest European Chemicals Agency (ECHA) 'Guidance on requirements for substances in articles' posted at this URL: <https://echa.europa.eu/guidance-documents/guidance-on-reach>

Compatible Parts



TE Part # 4-2176237-3
CPF A 0603 11K 0.1% 25PPM 5K RL



TE Part # 4-2176237-4
CPF A 0603 12K 0.1% 25PPM 5K RL



TE Part # 4-2176237-5
CPF A 0603 14K 0.1% 25PPM 5K RL



TE Part # 1-2176237-5
CPF A 0603 150R 0.1% 25PPM 5K RL



TE Part # 4-2176237-6
CPF A 0603 15K 0.1% 25PPM 5K RL



TE Part # 6-2176237-4
CPF A 0603 180K 0.1% 25PPM 5K RL



TE Part # 2176237-3
CPF A 0603 18R 0.1% 25PPM 5K RL



TE Part # 2-2176237-8
CPF A 0603 1K2 0.1% 25PPM 5K RL



TE Part # 3-2176237-0
CPF A 0603 1K8 0.1% 25PPM 5K RL



TE Part # 6-2176237-6
CPF A 0603 220K 0.1% 25PPM 5K RL



TE Part # 4-2176237-8
CPF A 0603 22K 0.1% 25PPM 5K RL



TE Part # 3-2176237-3
CPF A 0603 2K26 0.1% 25PPM 5K RL



TE Part # 6-2176237-9
CPF A 0603 330K 0.1% 25PPM 5K RL



TE Part # 2-2176237-0
CPF A 0603 360R 0.1% 25PPM 5K RL



TE Part # 2-2176237-1
CPF A 0603 390R 0.1% 25PPM 5K RL



TE Part # 5-2176237-3
CPF A 0603 39K 0.1% 25PPM 5K RL



TE Part # 3-2176237-5
CPF A 0603 3K3 0.1% 25PPM 5K RL



TE Part # 3-2176237-6
CPF A 0603 3K9 0.1% 25PPM 5K RL



TE Part # 5-2176237-4
CPF A 0603 47K 0.1% 25PPM 5K RL

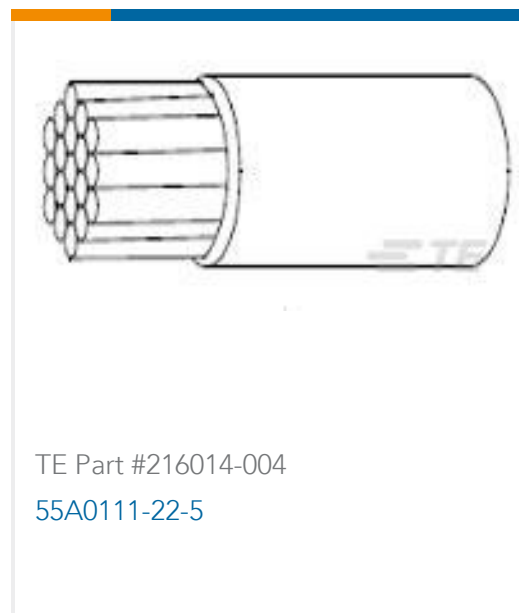
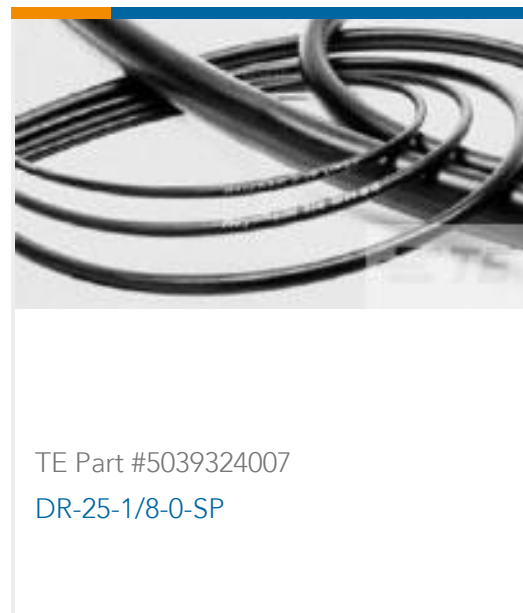
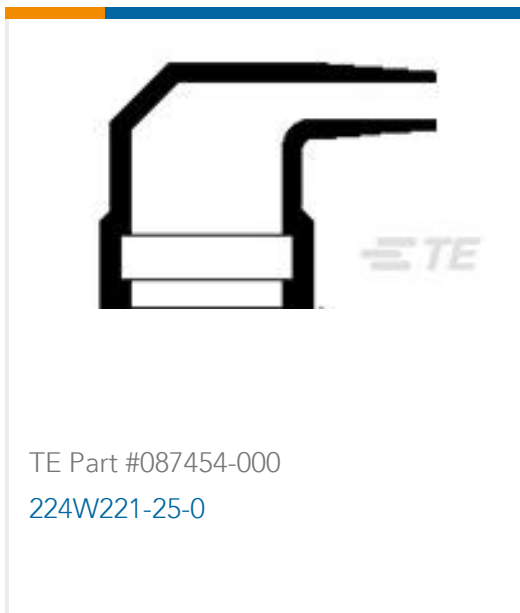


TE Part # 2-2176237-3
CPF A 0603 510R 0.1% 25PPM 5K RL

Also in the Series | **Neohm CPF**



Customers Also Bought



Documents

CAD Files

[3D PDF](#)

[3D](#)

Customer View Model

[ENG_CVM_CVM_4-2176237-2_A.2d_dxf.zip](#)

English

Customer View Model

[ENG_CVM_CVM_4-2176237-2_A.3d_igs.zip](#)

CPF-A-0603B10KE

10K Ω , Thin Film, Precision Resistor, .1 %, 2 Termination, 0603, Taped & Reeled, .0625 W, ± 25 ppm/ $^{\circ}$ C, Solder, 1.55 x .8 x .45 mm, Neohm CPF



English

Customer View Model

[ENG_CVM_CVM_4-2176237-2_A.3d_stp.zip](#)

English

By downloading the CAD file I accept and agree to the [Terms and Conditions](#) of use.

Datasheets & Catalog Pages

[Automotive Grade Thin Film Chip Resistor - Type CPF-A Series](#)

English