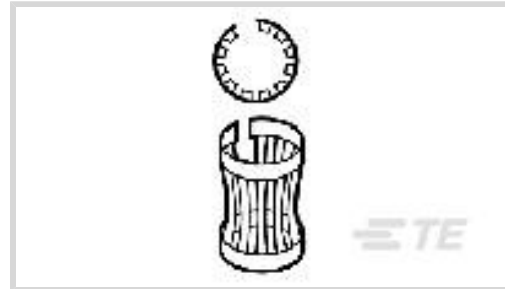




Connectors > Rectangular Connectors > Rectangular Contact Inserts



Contact Type: **Socket**

Number of Positions: **1**

Sealable: **No**

Contact Current Rating (Max): **110 A**

Circuit Application: **Power**

Features

Product Type Features

| | |
|----------|----|
| Sealable | No |
|----------|----|

Configuration Features

| | |
|---------------------|---|
| Number of Positions | 1 |
|---------------------|---|

Body Features

| | |
|--------------------------|------------------|
| Primary Product Material | Beryllium Copper |
|--------------------------|------------------|

Contact Features

| | |
|--------------|--------|
| Contact Type | Socket |
|--------------|--------|

| | |
|------------------------------|-------|
| Contact Current Rating (Max) | 110 A |
|------------------------------|-------|

Usage Conditions

| | |
|-----------------------------|------------------------------|
| Operating Temperature Range | -196 – 200 °C[-320 – 392 °F] |
|-----------------------------|------------------------------|

Operation/Application

| | |
|---------------------|-------|
| Circuit Application | Power |
|---------------------|-------|

Product Compliance

[For compliance documentation, visit the product page on TE.com>](#)

| | |
|------------------------------|-----------|
| EU RoHS Directive 2011/65/EU | Compliant |
|------------------------------|-----------|

| | |
|-----------------------------|-----------|
| EU ELV Directive 2000/53/EC | Compliant |
|-----------------------------|-----------|

| | |
|---|---|
| China RoHS 2 Directive MIIT Order No 32, 2016 | No Restricted Materials Above Threshold |
|---|---|

| | |
|--|--|
| EU REACH Regulation (EC) No. 1907/2006 | |
|--|--|

Current ECHA Candidate List: JUNE 2023 (235)

Candidate List Declared Against: JUNE 2023 (235)

Does not contain REACH SVHC

Halogen Content

Low Halogen - Br, Cl, F, I < 900 ppm per homogenous material. Also BFR/CFR/PVC Free

Solder Process Capability

Not applicable for solder process capability

Product Compliance Disclaimer

This information is provided based on reasonable inquiry of our suppliers and represents our current actual knowledge based on the information they provided. This information is subject to change. The part numbers that TE has identified as EU RoHS compliant have a maximum concentration of 0.1% by weight in homogenous materials for lead, hexavalent chromium, mercury, PBB, PBDE, DBP, BBP, DEHP, DIBP, and 0.01% for cadmium, or qualify for an exemption to these limits as defined in the Annexes of Directive 2011/65/EU (RoHS2). Finished electrical and electronic equipment products will be CE marked as required by Directive 2011/65/EU. Components may not be CE marked. Additionally, the part numbers that TE has identified as EU ELV compliant have a maximum concentration of 0.1% by weight in homogenous materials for lead, hexavalent chromium, and mercury, and 0.01% for cadmium, or qualify for an exemption to these limits as defined in the Annexes of Directive 2000/53/EC (ELV). Regarding the REACH Regulation, the information TE provides on SVHC in articles for this part number is based on the latest European Chemicals Agency (ECHA) 'Guidance on requirements for substances in articles' posted at this URL: <https://echa.europa.eu/guidance-documents/guidance-on-reach>

Compatible Parts

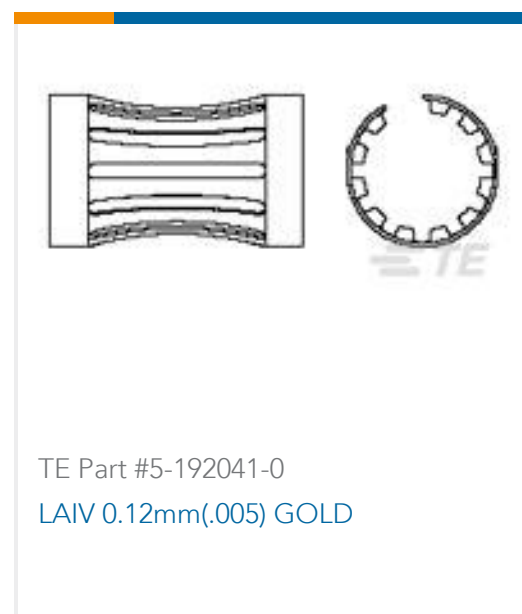


TE Part # 4-192038-8
LA3,.250,.006,SILVER

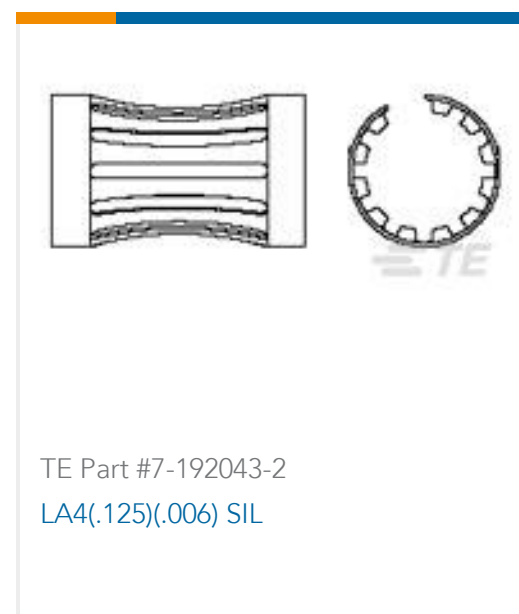
Customers Also Bought



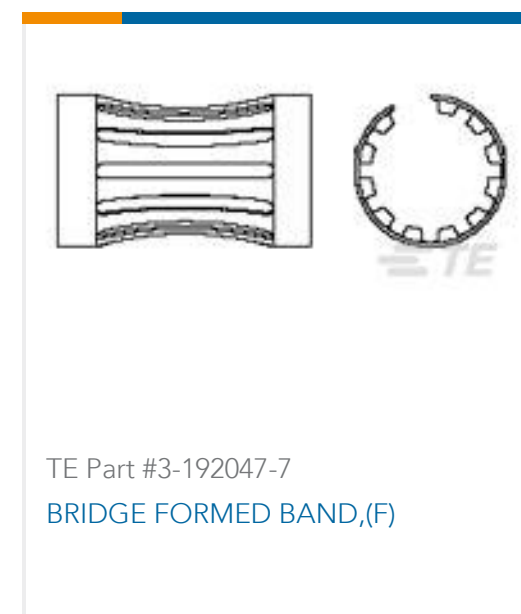
TE Part #4-192038-0
LA3(.008)GOLD



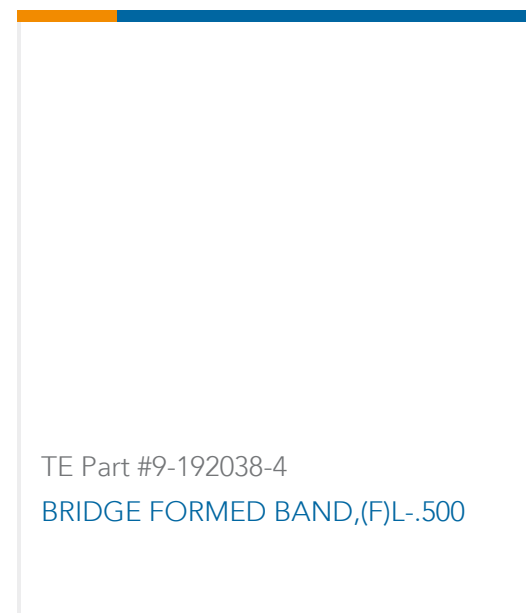
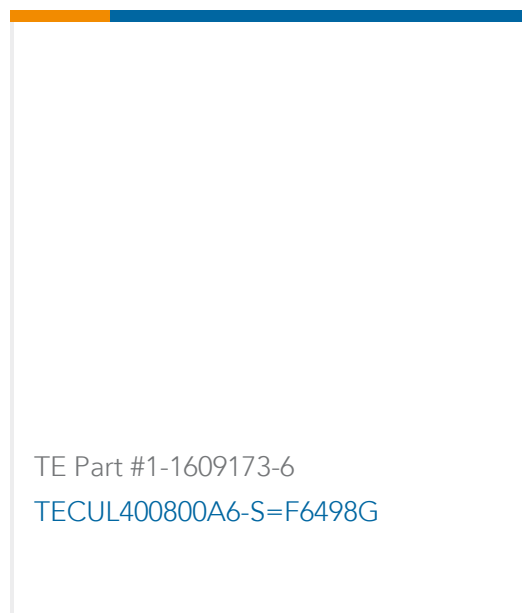
TE Part #5-192041-0
LAIV 0.12mm(.005) GOLD



TE Part #7-192043-2
LA4(.125)(.006) SIL



TE Part #3-192047-7
BRIDGE FORMED BAND,(F)



Documents

Product Drawings

[LA3,.25,.006 GOLDPL](#)

English

CAD Files

[3D PDF](#)

3D

Customer View Model

[ENG_CVM_CVM_4-192038-9_L.2d_dxf.zip](#)

English

Customer View Model

[ENG_CVM_CVM_4-192038-9_L.3d_igs.zip](#)

English

Customer View Model

[ENG_CVM_CVM_4-192038-9_L.3d_stp.zip](#)

English

By downloading the CAD file I accept and agree to the [Terms and Conditions](#) of use.

Datasheets & Catalog Pages

[POWER_CONNECTORS_CATALOG_SEC02_CABLE_MOUNTED](#)

English