



Power Relay F A

TE Internal #: 4-1904060-6

Maxi Relays, 12 VDC Coil Voltage, Plug-In, Bistable, DC, 25 Ω Coil

Resistance, Power Relay F A

[View on TE.com >](#)

Relays, Contactors & Switches > Relays > Automotive Relays > Automotive Plug-In Relays > Maxi Relays



Rated Coil Voltage: **12 VDC**

Maxi Relay Contact Current Class: **>50A**

Maxi Relay Mounting Type: **Plug-In**

Maxi Relay Coil Magnetic System: **Bistable, DC**

Maxi Relay Coil Resistance: **25 Ω**

Features

Product Type Features

Relay Type	Power Relay F7 A Latching
------------	---------------------------

Electrical Characteristics

Coil Power Rating Class	>1.5W
Current Rating (85°C)	70 A
Contact Limiting Short-Time Current	300 A
Insulation Initial Dielectric Between Contacts and Coil	500 Vrms
Insulation Initial Dielectric Between Coil/Contact Class	0 – 500 V
Coil Power Rating (DC)	1300 mW
Insulation Initial Dielectric Between Open Contacts	500 Vrms
Contact Limiting Making Current	300 A
Contact Limiting Continuous Current	80 A
Rated Voltage	12 VDC
Contact Limiting Breaking Current	70 A
Contact Switching Load (Min)	1000mA @ 5VDC
Rated Coil Voltage	12 VDC
Maxi Relay Coil Magnetic System	Bistable, DC
Maxi Relay Coil Resistance	25 Ω

Body Features

Weight	35 g[1.2 oz]
--------	--------------



Contact Features

Terminal Type	Plug-In, Quick Connect
Contact Arrangement	1 Form A (NO)
Contact Base Material	Silver Alloy
Maxi Relay Contact Current Class	>50A

Mechanical Attachment

Maxi Relay Mounting Type	Plug-In
--------------------------	---------

Dimensions

Width Class (Mechanical)	25 – 30 mm
Length Class (Mechanical)	25 – 30 mm
Height Class (Mechanical)	25 – 30 mm
Width	27.8 mm[1.094 in]
Length	27.8 mm[1.094 in]
Height	25.3 mm[.99 in]

Usage Conditions

Environmental Ambient Temperature (Max)	125 °C[257 °F]
Environmental Ambient Temperature Class	105 – 125°C

Other

Mounting Brackets	Without
-------------------	---------

Product Compliance

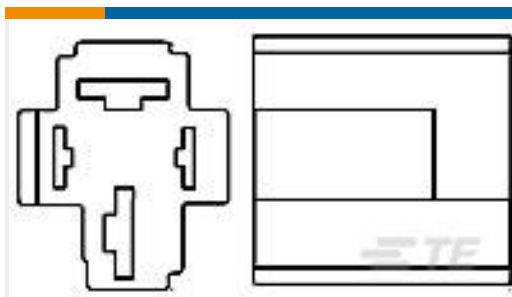
[For compliance documentation, visit the product page on TE.com>](#)

EU RoHS Directive 2011/65/EU	Not Compliant
EU ELV Directive 2000/53/EC	Not Compliant
China RoHS 2 Directive MIIT Order No 32, 2016	Restricted Materials Above Threshold
EU REACH Regulation (EC) No. 1907/2006	Current ECHA Candidate List: JUNE 2023 (235) Candidate List Declared Against: JUN 2020 (209) Does not contain REACH SVHC
Halogen Content	Not Low Halogen - contains Br or Cl > 900 ppm.
Solder Process Capability	Not applicable for solder process capability

Product Compliance Disclaimer

This information is provided based on reasonable inquiry of our suppliers and represents our current actual knowledge based on the information they provided. This information is subject to change. The part numbers that TE has identified as EU RoHS compliant have a maximum concentration of 0.1% by weight in homogenous materials for lead, hexavalent chromium, mercury, PBB, PBDE, DBP, BBP, DEHP, DIBP, and 0.01% for cadmium, or qualify for an exemption to these limits as defined in the Annexes of Directive 2011/65/EU (RoHS2). Finished electrical and electronic equipment products will be CE marked as required by Directive 2011/65/EU. Components may not be CE marked. Additionally, the part numbers that TE has identified as EU ELV compliant have a maximum concentration of 0.1% by weight in homogenous materials for lead, hexavalent chromium, and mercury, and 0.01% for cadmium, or qualify for an exemption to these limits as defined in the Annexes of Directive 2000/53/EC (ELV). Regarding the REACH Regulation, the information TE provides on SVHC in articles for this part number is based on the latest European Chemicals Agency (ECHA) 'Guidance on requirements for substances in articles' posted at this URL: <https://echa.europa.eu/guidance-documents/guidance-on-reach>

Compatible Parts



TE Part # 1393310-4
VCF7-1000=FROM SEC

Also in the Series | Power Relay F A



Maxi Relays(2)

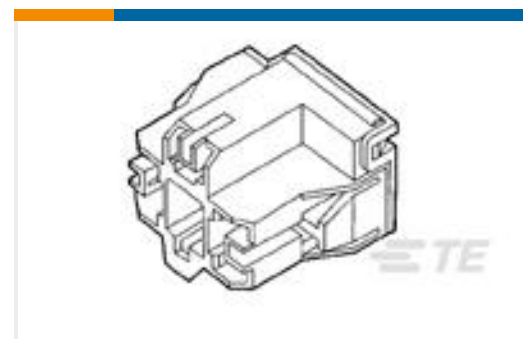


Mini Relays(11)

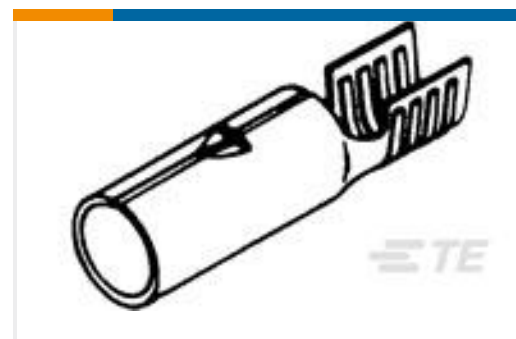
Customers Also Bought



TE Part #776532-3
AS 16, 8P PLUG ASSY, RD, KEY 3



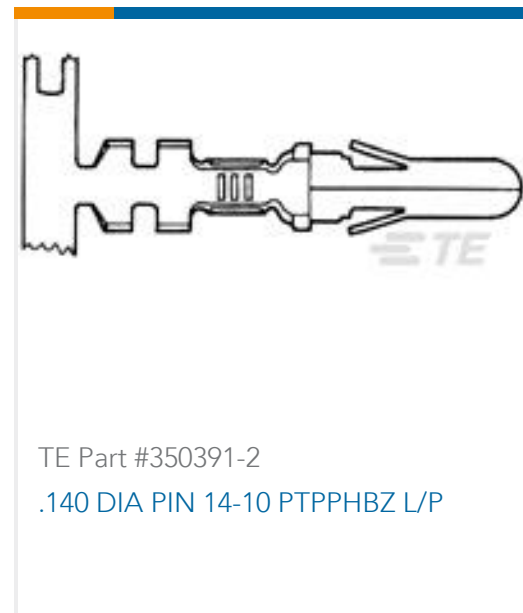
TE Part #172615-2
POSITIVE LOCK 312 HOUSING RECEPTACLE



TE Part #42891-1
SHUR PLUG 180 RECEPTACLE 14-10 AWG BR



TE Part #1-963540-1
18pos MQS .63 header 180deg



Documents

Product Drawings

V23136L0031D642-EV-CBOX

English

CAD Files

3D PDF

3D

Customer View Model

ENG_CVM_CVM_4-1904060-6_A_c-4-1904060-6-a.2d_dxf.zip

English

Customer View Model

ENG_CVM_CVM_4-1904060-6_A_c-4-1904060-6-a.3d_igs.zip

English

Customer View Model

ENG_CVM_CVM_4-1904060-6_A_c-4-1904060-6-a.3d_stp.zip

English

By downloading the CAD file I accept and agree to the [Terms and Conditions](#) of use.

Datasheets & Catalog Pages

Automotive Relay Application Notes

English

1308002-1 Power Relay F7 A Latching Flyer

English

Power Relay F7 A Latching Datasheet

English

Product Specifications



Definitions General Purpose Relays

English