



Holsworthy | Holsworthy Holco

TE Internal #: 4-1879621-7

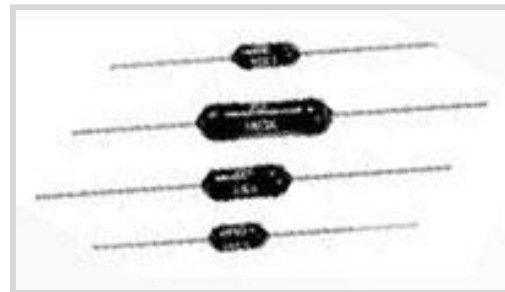
820 Ω, Thin Film, Precision Resistor, 1 %, 10 x 3.7 mm, 2

Termination, Bandoliered, 1 W, ±50 ppm/°C, Tinned Copper Leads

Termination, Holsworthy Holco

[View on TE.com >](#)

Passive Components > Resistors > Through-Hole Resistors



Resistor Type: **Precision Resistor**

Passive Component Dimensions: **10 x 3.7 mm**

Number of Terminations: **2**

Packaging Method: **Bandoliered**

Passive Component Tolerance: **1 %**

Features

Product Type Features

Product Type	Fixed Resistor
Resistor Type	Precision Resistor
Element Type	Thin Film

Configuration Features

Number of Resistors	1
---------------------	---

Electrical Characteristics

Voltage Rating	500 V
Passive Component Tolerance	1 %
Resistance Class	Up to 1kΩ
Resistance Value	820 Ω
Power Rating	1 W

Body Features

Passive Component Lead Type	Axial-Leaded
-----------------------------	--------------

Termination Features

Number of Terminations	2
Passive Component Termination Material Type	Tinned Copper Leads

Dimensions

Passive Component Dimensions	10 x 3.7 mm
------------------------------	-------------



Usage Conditions

Operating Temperature Range	-55 – 155 °C
Temperature Coefficient	±50 ppm/°C

Packaging Features

Packaging Method	Bandoliered
------------------	-------------

Product Compliance

[For compliance documentation, visit the product page on TE.com>](#)

EU RoHS Directive 2011/65/EU	Compliant
EU ELV Directive 2000/53/EC	Compliant
China RoHS 2 Directive MIIT Order No 32, 2016	No Restricted Materials Above Threshold
EU REACH Regulation (EC) No. 1907/2006	Current ECHA Candidate List: JUNE 2023 (235) Candidate List Declared Against: JAN 2021 (211) Does not contain REACH SVHC
Halogen Content	Not Yet Reviewed for halogen content
Solder Process Capability	Wave solder capable to 265°C

Product Compliance Disclaimer

This information is provided based on reasonable inquiry of our suppliers and represents our current actual knowledge based on the information they provided. This information is subject to change. The part numbers that TE has identified as EU RoHS compliant have a maximum concentration of 0.1% by weight in homogenous materials for lead, hexavalent chromium, mercury, PBB, PBDE, DBP, BBP, DEHP, DIBP, and 0.01% for cadmium, or qualify for an exemption to these limits as defined in the Annexes of Directive 2011/65/EU (RoHS2). Finished electrical and electronic equipment products will be CE marked as required by Directive 2011/65/EU. Components may not be CE marked. Additionally, the part numbers that TE has identified as EU ELV compliant have a maximum concentration of 0.1% by weight in homogenous materials for lead, hexavalent chromium, and mercury, and 0.01% for cadmium, or qualify for an exemption to these limits as defined in the Annexes of Directive 2000/53/EC (ELV). Regarding the REACH Regulation, the information TE provides on SVHC in articles for this part number is based on the latest European Chemicals Agency (ECHA) 'Guidance on requirements for substances in articles' posted at this URL: <https://echa.europa.eu/guidance-documents/guidance-on-reach>

Compatible Parts

TE Part # 9-1879664-1
H8 10K 0.1% 15PPM

TE Part # 1879623-8
H4 1K3 0.1% 5PPM

TE Part # 2-1879622-2
H4P 1M0 1% 50PPM

TE Part # 5-1879642-1
H8 5K0 0.1% 25PPM



TE Part # 1879629-8
H4P 127R 0.5% 5PPM

Also in the Series | Holsworthy Holco



Through-Hole Resistors(6406)

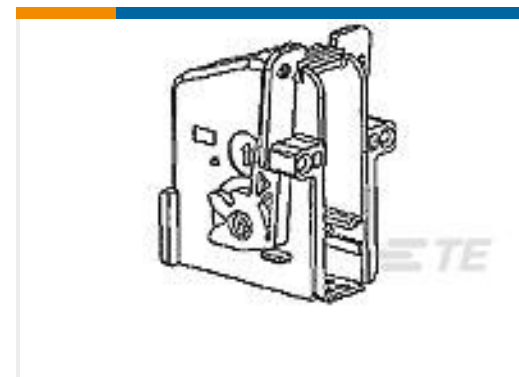
Customers Also Bought



TE Part #1355348-1
MQS, CONNECTOR HOUSING



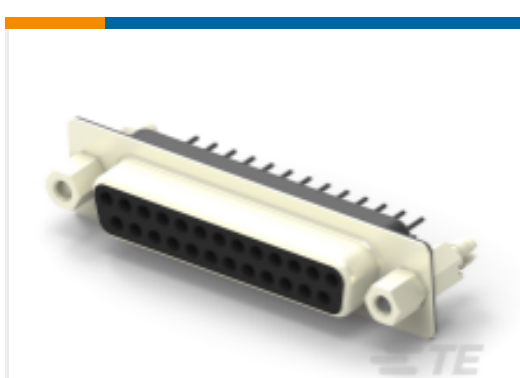
TE Part #382575-2
2MM MINI-SHUNT ASSEMBLY 15 AU



TE Part #1-1355350-1
MQS ABDECKKAPPE 18P



TE Part #1757820-2
AMPLIMITE,ASY,RCPT,STD,109,ZN,2



TE Part #2301841-2
AMPL REC HD20, VERT, 25P, B/L,4-40 S/LOC



TE Part #1-963539-2
18pos MQS .63 header 90deg



TE Part #1053372-1
2062 8001 90,OSM JACK, QPL



TE Part #1218124-1
9 POS,ASSY,PLUG,LOW PROF,109



TE Part #YDIV46E17-08SNV001
PLUG ASSY



Documents

CAD Files

3D PDF

3D

Customer View Model

[ENG_CVM_CVM_4-1879621-7_BA.2d_dxf.zip](#)

English

Customer View Model

[ENG_CVM_CVM_4-1879621-7_BA.3d_igs.zip](#)

English

Customer View Model

[ENG_CVM_CVM_4-1879621-7_BA.3d_stp.zip](#)

English

By downloading the CAD file I accept and agree to the [Terms and Conditions](#) of use.

Datasheets & Catalog Pages

[1309350_PASSIVE_COMPONENT](#)

English

[Axial Leaded Precision Resistors - Type HOLCO Series](#)

English

[8-1773459-4_POWER_FILTERING_AND_RESISTIVE_SOLUTIONS_FOR_ELEVATORS_AND_ESCALATORS](#)

English