



Agastat E7000

TE Internal #: 4-1618394-1

TE Internal Description: EV200BAANA=CONTACTOR, SPST-NC

12V COIL

[View on TE.com >](#)



Product Compliance

[For compliance documentation, visit the product page on TE.com>](#)

| | |
|---|--|
| EU RoHS Directive 2011/65/EU | Compliant |
| EU ELV Directive 2000/53/EC | Compliant |
| China RoHS 2 Directive MIIT Order No 32, 2016 | No Restricted Materials Above Threshold |
| EU REACH Regulation (EC) No. 1907/2006 | Current ECHA Candidate List: JUNE 2023 (235) Candidate List Declared Against: JAN 2022 (223) Does not contain REACH SVHC |
| Halogen Content | Low Halogen - Br, Cl, F, I < 900 ppm per homogenous material. Also BFR/CFR/PVC Free |
| Solder Process Capability | Hand solderable with lead free solder |

Product Compliance Disclaimer

This information is provided based on reasonable inquiry of our suppliers and represents our current actual knowledge based on the information they provided. This information is subject to change. The part numbers that TE has identified as EU RoHS compliant have a maximum concentration of 0.1% by weight in homogenous materials for lead, hexavalent chromium, mercury, PBB, PBDE, DBP, BBP, DEHP, DIBP, and 0.01% for cadmium, or qualify for an exemption to these limits as defined in the Annexes of Directive 2011/65/EU (RoHS2). Finished electrical and electronic equipment products will be CE marked as required by Directive 2011/65/EU. Components may not be CE marked. Additionally, the part numbers that TE has identified as EU ELV compliant have a maximum concentration of 0.1% by weight in homogenous materials for lead, hexavalent chromium, and mercury, and 0.01% for cadmium, or qualify for an exemption to these limits as defined in the Annexes of Directive 2000/53/EC (ELV). Regarding the REACH Regulation, the information TE provides on SVHC in articles for this part number is based on the latest European Chemicals Agency (ECHA) 'Guidance on requirements for substances in articles' posted at this URL: <https://echa.europa.eu/guidance-documents/guidance-on-reach>

Also in the Series | [Agastat E7000](#)



Standard Labels(15)



Time Delay Relays(16)

Customers Also Bought



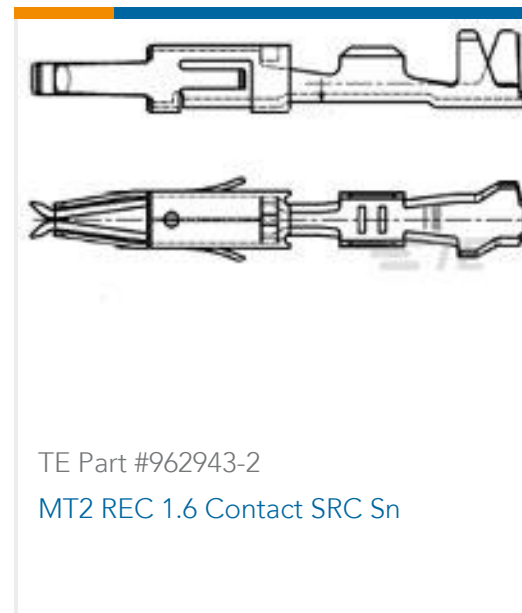
TE Part #1-1618002-8
EV200HAANA=RELAY, SPST-NO WITH



TE Part #843036-000
101A031-3-0



TE Part #1-1623773-5
C10 220R 5% (LOOSE)



TE Part #962943-2
MT2 REC 1.6 Contact SRC Sn



TE Part #1622480-1
LR1 1% 43R



TE Part #ASA021G04620235000
623 PLUG



TE Part #ASA035G04610235000
623 PLUG

Documents

CAD Files

3D PDF

3D

Customer View Model

[ENG_CVM_CVM_4-1618394-1_F.2d_dxf.zip](#)

English

Customer View Model

[ENG_CVM_CVM_4-1618394-1_F.3d_igs.zip](#)

English

Customer View Model

[ENG_CVM_CVM_4-1618394-1_F.3d_stp.zip](#)

English

By downloading the CAD file I accept and agree to the [Terms and Conditions](#) of use.

Datasheets & Catalog Pages

[5-1773450-5_sec7_EV200B](#)

English

