

4-1618391-0 ✓ ACTIVE

Kilovac | Kilovac LEV100

TE Internal #: 4-1618391-0

DC Contactors, 1 Form X, SPST-NO DM, 22 AWG Wire Size, .34 mm² Wire Size, 100 A, 12 VDC Coil Voltage, 26 Ω Coil Resistance, Kilovac LEV100

[View on TE.com >](#)



Relays, Contactors & Switches > Contactors > Mil-Aero Contactors > DC Contactors



DC Contactor Contact Arrangement: **1 Form X, SPST-NO DM**

Wire Size: **.34 mm²**

DC Contactor Contact Current Rating: **100 A**

Coil Voltage (Max): **12 VDC**

Features

Product Type Features

Product Classification	Relays - Contactors
Product Type	Contactor
Product Category	Electromechanical Relays
Contactor Type	Sealed
Terminal Configuration	2 x M4 Bolt

Configuration Features

Auxiliary Switch Contact Arrangement	None
--------------------------------------	------

Electrical Characteristics

Actuating System	DC
Coil Voltage (Max)	12 VDC
DC Contactor Coil Resistance	26 Ω
DC Contactor Coil Voltage Rating	12 VDC
DC Contactor Contact Switching Voltage (Max)	900 VDC

Contact Features

DC Contactor Contact Arrangement	1 Form X, SPST-NO DM
DC Contactor Contact Current Rating	100 A
Pole Configuration	1

Termination Features

Coil Termination	Wire
------------------	------



Mechanical Attachment

DC Contactor Mounting Type	Side Mount
----------------------------	------------

Dimensions

Coil Wire Length	381 mm[15 in]
Wire Size	.34 mm ²

Packaging Features

Packaging Method	Individual
------------------	------------

Other

Torque	30 – 40 in-lbs
--------	----------------

Product Compliance

[For compliance documentation, visit the product page on TE.com>](#)

EU RoHS Directive 2011/65/EU	Compliant with Exemptions
EU ELV Directive 2000/53/EC	Compliant with Exemptions
China RoHS 2 Directive MIIT Order No 32, 2016	Restricted Materials Above Threshold
EU REACH Regulation (EC) No. 1907/2006	Current ECHA Candidate List: JUNE 2023 (235) Candidate List Declared Against: JAN 2023 (233) SVHC > Threshold: Pb (.35% in Component Part) Article Safe Usage Statements: Do not eat, drink or smoke when using this product. Wash thoroughly after handling. Recycle if possible and dispose of the article by following all applicable governmental regulations relevant to your geographic location.
Halogen Content	Low Halogen - Br, Cl, F, I < 900 ppm per homogenous material. Also BFR/CFR/PVC Free
Solder Process Capability	Not applicable for solder process capability

Product Compliance Disclaimer

This information is provided based on reasonable inquiry of our suppliers and represents our current actual knowledge based on the information they provided. This information is subject to change. The part numbers that TE has identified as EU RoHS compliant have a maximum concentration of 0.1% by weight in homogenous materials for lead, hexavalent chromium, mercury, PBB, PBDE, DBP, BBP, DEHP, DIBP, and 0.01% for cadmium, or qualify for an exemption to these limits as defined in the Annexes of Directive 2011/65/EU (RoHS2). Finished electrical and electronic equipment products will be CE marked as required by Directive 2011/65/EU. Components may not be CE marked. Additionally, the part numbers that TE has identified as EU ELV compliant have a maximum concentration of 0.1% by weight in homogenous materials for lead, hexavalent chromium, and mercury, and 0.01% for cadmium, or qualify for an exemption to these limits as defined in the Annexes of Directive 2000/53/EC (ELV). Regarding the REACH Regulation, the information TE provides on SVHC in articles for this part number is based on the latest European Chemicals Agency (ECHA) 'Guidance on requirements for substances in articles' posted at this URL: <https://echa.europa.eu/guidance-documents/guidance-on-reach>



Compatible Parts



TE Part # 7-1618401-3
LEV200A4NAF01=Contactor, w/Coil Sup



TE Part # 1618387-3
LEV200A4ANA=RELAY, SPST-NO



TE Part # 6-1618385-2
LEV200A9ANA=RELAY, SPST, 240V COIL

Also in the Series | Kilovac LEV100



DC Contactors(11)



High Voltage Relays(3)

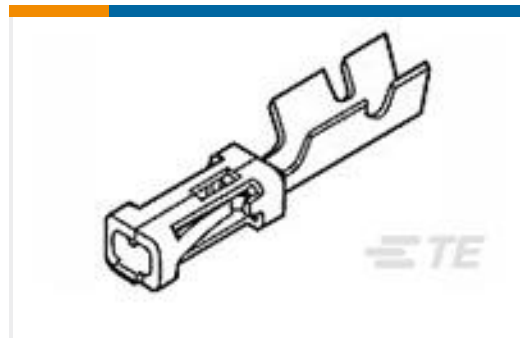
Customers Also Bought



TE Part #749877-7
68 50SR PANEL MOUNT RCPT



TE Part #1-6609987-1
15SRB8-R=F8220A



TE Part #5-103171-1
MOD IV RECP PLTD 15 DPLX LF



TE Part #5677964005
RNF-3000-39/13-X-SP



TE Part #9-1616982-7
A1077B1=CONTACTOR SPDT 200 AMP, 28 VDC



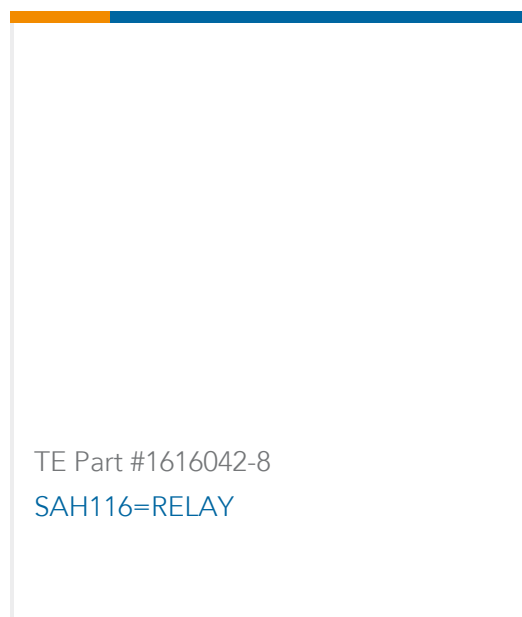
TE Part #899170S004
LSS-26-8A-CS5575



TE Part #1-1616042-1
SAH159A=RELAY



TE Part #4-2252009-2
A712RS3=CONTACTOR,600A,28VDC



Documents

CAD Files

[3D PDF](#)

[3D](#)

Customer View Model

[ENG_CVM_CVM_4-1618391-0_D.2d_dxf.zip](#)

English

Customer View Model

[ENG_CVM_CVM_4-1618391-0_D.3d_igs.zip](#)

English

Customer View Model

[ENG_CVM_CVM_4-1618391-0_D.3d_stp.zip](#)

English

By downloading the CAD file I accept and agree to the [Terms and Conditions](#) of use.

Datasheets & Catalog Pages

[Kilovac LEV100 Series 900 Vdc Contactor](#)

English