



Kilovac

TE Internal #: 4-1618241-4

High Voltage Relays, 10VDC Contact Voltage Rating, 1 Form B, SPST-NC, 1 N/C, Stud Terminals, High Voltage Tabs, Without Economizer, Power Switching

[View on TE.com >](#)

Relays, Contactors & Switches > Relays > High Voltage Relays



Contact Voltage Rating: **10 VDC**

High Voltage Relay Contact Arrangement: **1 Form B, SPST-NC, 1 N/C**

High Voltage Connection (Coil): **Stud Terminals**

High Voltage Connection (Power): **High Voltage Tabs**

Economizer: **Without**

Features

Product Type Features

RF Rated	Yes
Product Type	Relay
Relay Type	High Voltage

Configuration Features

Economizer	Without
Power Switching	Yes

Electrical Characteristics

Contact Voltage Rating	10 VDC
High Voltage Relay Voltage (Max)	26.5 VDC
High Voltage Relay Coil Voltage Rating	26.5 VDC
High Voltage Relay Coil Resistance	290 Ω

Contact Features

High Voltage Relay Contact Arrangement	1 Form B, SPST-NC, 1 N/C
Auxiliary Contacts	Without
High Voltage Relay Contact Current Rating	30 A

Termination Features

High Voltage Connection (Coil)	Stud Terminals
High Voltage Connection (Power)	High Voltage Tabs

Termination Style

Stud Terminals

Mechanical Attachment

High Voltage Relay Mounting Type

Panel Mount

Product Compliance

For compliance documentation, visit the product page on [TE.com](#)>

EU RoHS Directive 2011/65/EU

Compliant

EU ELV Directive 2000/53/EC

Not Compliant

China RoHS 2 Directive MIIT Order No 32, 2016

No Restricted Materials Above Threshold

EU REACH Regulation (EC) No. 1907/2006

Current ECHA Candidate List: JUNE 2023 (235)
Candidate List Declared Against: JUNE 2022 (224)
Does not contain REACH SVHC

Halogen Content

Low Halogen - Br, Cl, F, I < 900 ppm per homogenous material. Also BFR/CFR/PVC Free

Solder Process Capability

Not lead free process capable

Product Compliance Disclaimer

This information is provided based on reasonable inquiry of our suppliers and represents our current actual knowledge based on the information they provided. This information is subject to change. The part numbers that TE has identified as EU RoHS compliant have a maximum concentration of 0.1% by weight in homogenous materials for lead, hexavalent chromium, mercury, PBB, PBDE, DBP, BBP, DEHP, DIBP, and 0.01% for cadmium, or qualify for an exemption to these limits as defined in the Annexes of Directive 2011/65/EU (RoHS2). Finished electrical and electronic equipment products will be CE marked as required by Directive 2011/65/EU. Components may not be CE marked. Additionally, the part numbers that TE has identified as EU ELV compliant have a maximum concentration of 0.1% by weight in homogenous materials for lead, hexavalent chromium, and mercury, and 0.01% for cadmium, or qualify for an exemption to these limits as defined in the Annexes of Directive 2000/53/EC (ELV). Regarding the REACH Regulation, the information TE provides on SVHC in articles for this part number is based on the latest European Chemicals Agency (ECHA) 'Guidance on requirements for substances in articles' posted at this URL: <https://echa.europa.eu/guidance-documents/guidance-on-reach>

Compatible Parts



Customers Also Bought



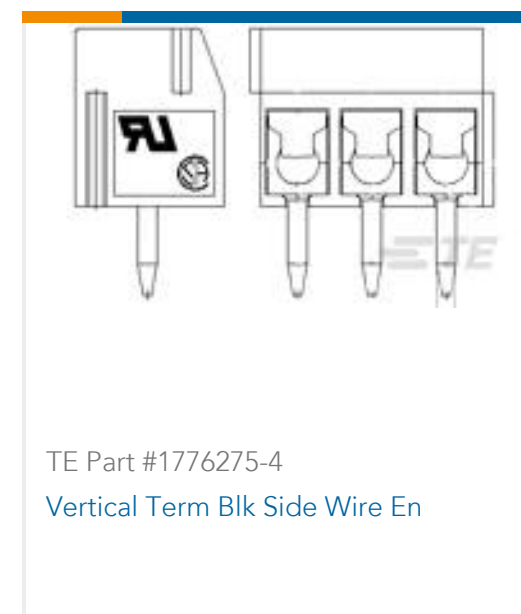
TE Part #2273003-1
M8 x 1.0 straight socket Pigtail



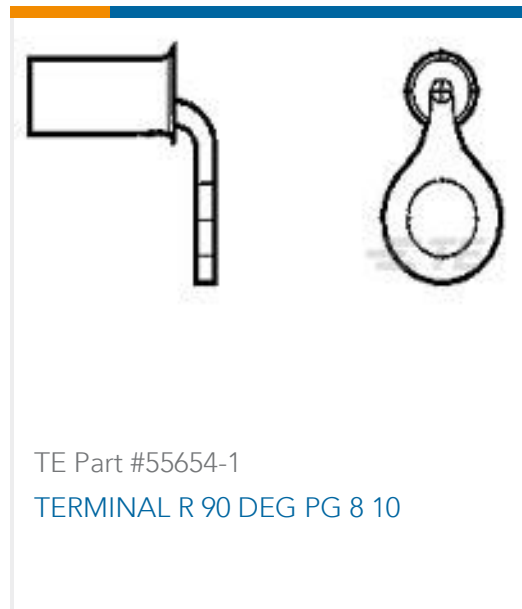
TE Part #6-1618241-1
K81C345=RELAY, VACUUM, SPDT



TE Part #5-146282-2
02 MODII HDR SRST B/A .100CL



TE Part #1776275-4
Vertical Term Blk Side Wire En



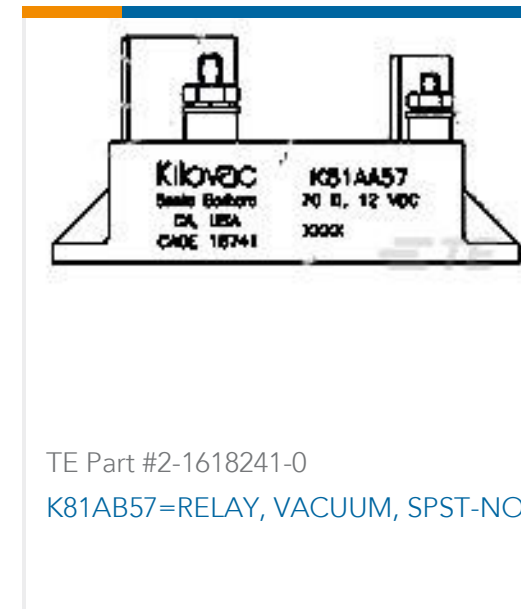
TE Part #55654-1
TERMINAL R 90 DEG PG 8 10



TE Part #1-87221-0
11 MODII HDR SRST UNSHRD .150



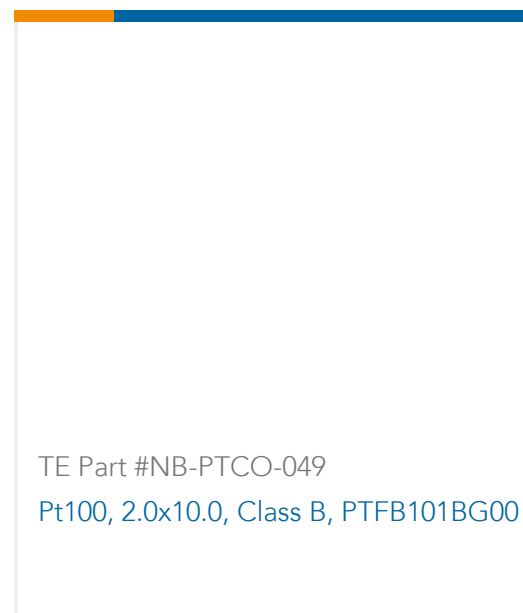
TE Part #66400-1
III+ PIN,24-20,TIN-LEAD,LP



TE Part #2-1618241-0
K81AB57=RELAY, VACUUM, SPST-NO



TE Part #4-1393249-8
W58-XC4C12A-4=W58



TE Part #NB-PTCO-049
Pt100, 2.0x10.0, Class B, PTFB101BG00

Documents

CAD Files

3D PDF

3D

Customer View Model

[ENG_CVM_CVM_4-1618241-4_H.2d_dxf.zip](#)

English

Customer View Model

[ENG_CVM_CVM_4-1618241-4_H.3d_igs.zip](#)

English

Customer View Model

[ENG_CVM_CVM_4-1618241-4_H.3d_stp.zip](#)

English

By downloading the CAD file I accept and agree to the [Terms and Conditions](#) of use.

Datasheets & Catalog Pages

[5-1773450-5_sec7_K81](#)

English