



Kilovac

TE Internal #: 4-1618002-9

High Voltage Relays, 28 – 1800VDC Contact Voltage Rating, 1 Form A, SPST-NO, Flying Leads, Stud Terminals, With Economizer, Auxiliary Contacts

[View on TE.com >](#)

Relays, Contactors & Switches > Relays > High Voltage Relays



Contact Voltage Rating: **28 – 1800 VDC**

High Voltage Relay Contact Arrangement: **1 Form A, SPST-NO**

High Voltage Connection (Coil): **Flying Leads**

High Voltage Connection (Power): **Stud Terminals**

Economizer: **With**

Features

Product Type Features

RF Rated	No
Product Type	Relay
Relay Type	High Voltage

Configuration Features

Economizer	With
Power Switching	Yes

Electrical Characteristics

Contact Voltage Rating	28 – 1800 VDC
High Voltage Relay Voltage (Max)	320 VDC
High Voltage Relay Coil Voltage Rating	24 VDC
High Voltage Relay Coil Resistance	72 Ω
High Voltage Relay Contact Switching Voltage (Max)	1800

Contact Features

High Voltage Relay Contact Arrangement	1 Form A, SPST-NO
Auxiliary Contacts	With
High Voltage Relay Contact Current Rating	600 A
Contact Base Material	Copper

Termination Features



High Voltage Connection (Coil)	Flying Leads
High Voltage Connection (Power)	Stud Terminals
Termination Style	Stud Terminals

Mechanical Attachment

High Voltage Relay Mounting Type	Bottom
----------------------------------	--------

Product Compliance

[For compliance documentation, visit the product page on TE.com>](#)

EU RoHS Directive 2011/65/EU	Not Compliant
EU ELV Directive 2000/53/EC	Not Compliant
China RoHS 2 Directive MIIT Order No 32, 2016	Restricted Materials Above Threshold
EU REACH Regulation (EC) No. 1907/2006	Current ECHA Candidate List: JUNE 2023 (235) Candidate List Declared Against: JAN 2022 (223) SVHC > Threshold: Not Yet Reviewed
Halogen Content	Low Halogen - Br, Cl, F, I < 900 ppm per homogenous material. Also BFR/CFR/PVC Free
Solder Process Capability	Not applicable for solder process capability

Product Compliance Disclaimer

This information is provided based on reasonable inquiry of our suppliers and represents our current actual knowledge based on the information they provided. This information is subject to change. The part numbers that TE has identified as EU RoHS compliant have a maximum concentration of 0.1% by weight in homogenous materials for lead, hexavalent chromium, mercury, PBB, PBDE, DBP, BBP, DEHP, DIBP, and 0.01% for cadmium, or qualify for an exemption to these limits as defined in the Annexes of Directive 2011/65/EU (RoHS2). Finished electrical and electronic equipment products will be CE marked as required by Directive 2011/65/EU. Components may not be CE marked. Additionally, the part numbers that TE has identified as EU ELV compliant have a maximum concentration of 0.1% by weight in homogenous materials for lead, hexavalent chromium, and mercury, and 0.01% for cadmium, or qualify for an exemption to these limits as defined in the Annexes of Directive 2000/53/EC (ELV). Regarding the REACH Regulations, TE's information on SVHC in articles for this part number is still based on the European Chemical Agency (ECHA) 'Guidance on requirements for substances in articles' (Version: 2, April 2011), applying the 0.1% weight on weight concentration threshold at the finished product level. TE is aware of the European Court of Justice ruling of September 10th, 2015 also known as O5A (Once An Article Always An Article) stating that, in case of 'complex object', the threshold for a SVHC must be applied to both the product as a whole and simultaneously to each of the articles forming part of its composition. TE has evaluated this ruling based on the new ECHA "Guidance on requirements for substances in articles" (June 2017, version 4.0) and will be updating its statements accordingly.

Compatible Parts



TE Part # 1618002-7
EV200AAANA=RELAY, EV200 SPST-N

Customers Also Bought



TE Part #5070032034
RNF-100-3/32-X-STK



TE Part #320570
SPLICE BUTT PIDG 12-10



TE Part #9-1879130-8
RN 0402 5K76 0.1% 10PPM 1K RL



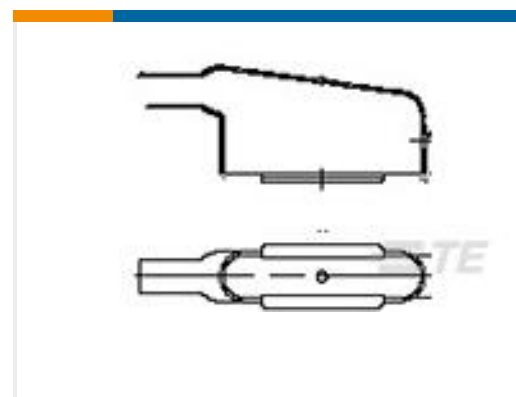
TE Part #CP9303-000
55PC1842-10-MST4-9CS3296



TE Part #CS8764-000
55PC1122-22-9/96-9CS3296



TE Part #EH3304-000
202E342-4-08-0



TE Part #814697-000
234A642-3-0



TE Part #5-1616976-8
A792ST1



TE Part #CR4108-000
55PC1142-12-MST4-9CS3296



TE Part #CS7811-000
55PC1132-14-MST3-9CS3296

Documents

CAD Files

3D PDF

3D

Customer View Model

[ENG_CVM_CVM_4-1618002-9_G.2d_dxf.zip](#)

English

Customer View Model

[ENG_CVM_CVM_4-1618002-9_G.3d_igs.zip](#)

English



Customer View Model

[ENG_CVM_CVM_4-1618002-9_G.3d_stp.zip](#)

English

By downloading the CAD file I accept and agree to the [Terms and Conditions](#) of use.

Datasheets & Catalog Pages

[5-1773450-5_sec7_EV500](#)

English