

# HFW1201L02M ✓ ACTIVE



CII

TE Internal #: 4-1617031-0

Half-Size Relays, 2 Form C, DPDT, 2 C/O, 5 VDC Input, 2 A, 5 VDC

Coil Voltage, 27  $\Omega$  Coil Resistance, 926 mW Coil Power (DC),

Printed Circuit Board

[View on TE.com >](#)

Relays, Contactors & Switches > Relays > Mil-Aero Relays > Half-Size Relays



Half-Size Relay Contact Arrangement: **2 Form C, DPDT, 2 C/O**

Half-Size Relay Input Voltage: **5 VDC**

Half-Size Relay Contact Current Rating: **2 A**

Half-Size Relay Coil Voltage Rating: **5 VDC**

Half-Size Relay Coil Resistance: **27  $\Omega$**

## Features

### Product Type Features

Enclosure Type	Hermetically Sealed
Relay Type	Military/Aerospace High Performance
Coil Latching	Without
Product Type	Relay
MOSFET Driver	Without

### Configuration Features

Transistor Driver	Without
-------------------	---------

### Electrical Characteristics

Coil Magnetic System	Non-Polarized, Monostable
Actuating System	DC
Vibration	30G's, 10 – 3000Hz
Shock	100G's, 6ms
Coil Suppression Diode	Without
Coil Power Measurement	Milliwatts
Coil Polarity Protection Diode	Without
Half-Size Relay Input Voltage	5 VDC
Half-Size Relay Coil Voltage Rating	5 VDC



Half-Size Relay Coil Resistance	27 Ω
Half-Size Relay Coil Power Rating (DC)	926 mW

**Contact Features**

Half-Size Relay Contact Arrangement	2 Form C, DPDT, 2 C/O
Half-Size Relay Contact Current Rating	2 A

**Termination Features**

Termination Type	PC Pins
------------------	---------

**Mechanical Attachment**

Half-Size Relay Mounting Type	Printed Circuit Board
-------------------------------	-----------------------

**Usage Conditions**

Operating Temperature Range	-65 – 125 °C
-----------------------------	--------------

**Product Compliance**

[For compliance documentation, visit the product page on TE.com>](#)

EU RoHS Directive 2011/65/EU	Not Compliant
EU ELV Directive 2000/53/EC	Not Compliant
China RoHS 2 Directive MIIT Order No 32, 2016	Restricted Materials Above Threshold
EU REACH Regulation (EC) No. 1907/2006	Current ECHA Candidate List: JUNE 2023 (235) Candidate List Declared Against: JUNE 2022 (224) Does not contain REACH SVHC
Halogen Content	Low Halogen - Br, Cl, F, I < 900 ppm per homogenous material. Also BFR/CFR/PVC Free
Solder Process Capability	Not applicable for solder process capability

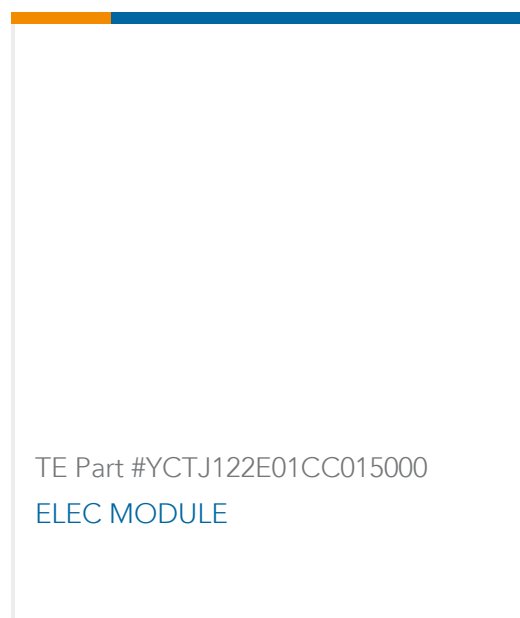
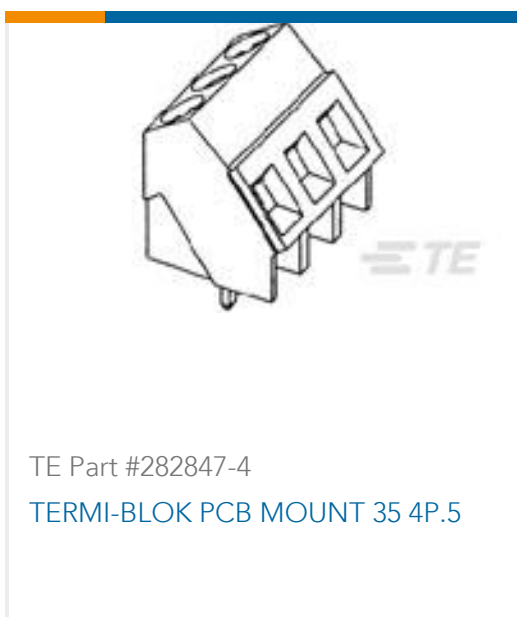
Product Compliance Disclaimer

This information is provided based on reasonable inquiry of our suppliers and represents our current actual knowledge based on the information they provided. This information is subject to change. The part numbers that TE has identified as EU RoHS compliant have a maximum concentration of 0.1% by weight in homogenous materials for lead, hexavalent chromium, mercury, PBB, PBDE, DBP, BBP, DEHP, DIBP, and 0.01% for cadmium, or qualify for an exemption to these limits as defined in the Annexes of Directive 2011/65/EU (RoHS2). Finished electrical and electronic equipment products will be CE marked as required by Directive 2011/65/EU. Components may not be CE marked. Additionally, the part numbers that TE has identified as EU ELV compliant have a maximum concentration of 0.1% by weight in homogenous materials for lead, hexavalent chromium, and mercury, and 0.01% for cadmium, or qualify for an exemption to these limits as defined in the Annexes of Directive 2000/53/EC (ELV). Regarding the REACH Regulation, the information TE provides on SVHC in articles for this part number is based on the latest European Chemicals Agency (ECHA) 'Guidance on requirements for substances in articles' posted at this URL: <https://echa.europa.eu/guidance-documents/guidance-on-reach>

## Compatible Parts



## Customers Also Bought



## Documents

[CAD Files](#)

[3D PDF](#)

[3D](#)

[Customer View Model](#)

[ENG\\_CVM\\_CVM\\_4-1617031-0\\_2.2d\\_dxf.zip](#)

[English](#)

[Customer View Model](#)



[ENG\\_CVM\\_CVM\\_4-1617031-0\\_2.3d\\_igs.zip](#)

English

**Customer View Model**

[ENG\\_CVM\\_CVM\\_4-1617031-0\\_2.3d\\_stp.zip](#)

English

By downloading the CAD file I accept and agree to the [Terms and Conditions](#) of use.

**Datasheets & Catalog Pages**

[5-1773450-5\\_sec1\\_HFW](#)

English