

# 3KEBS1BFPD ✓ ACTIVE

Corcom KEB

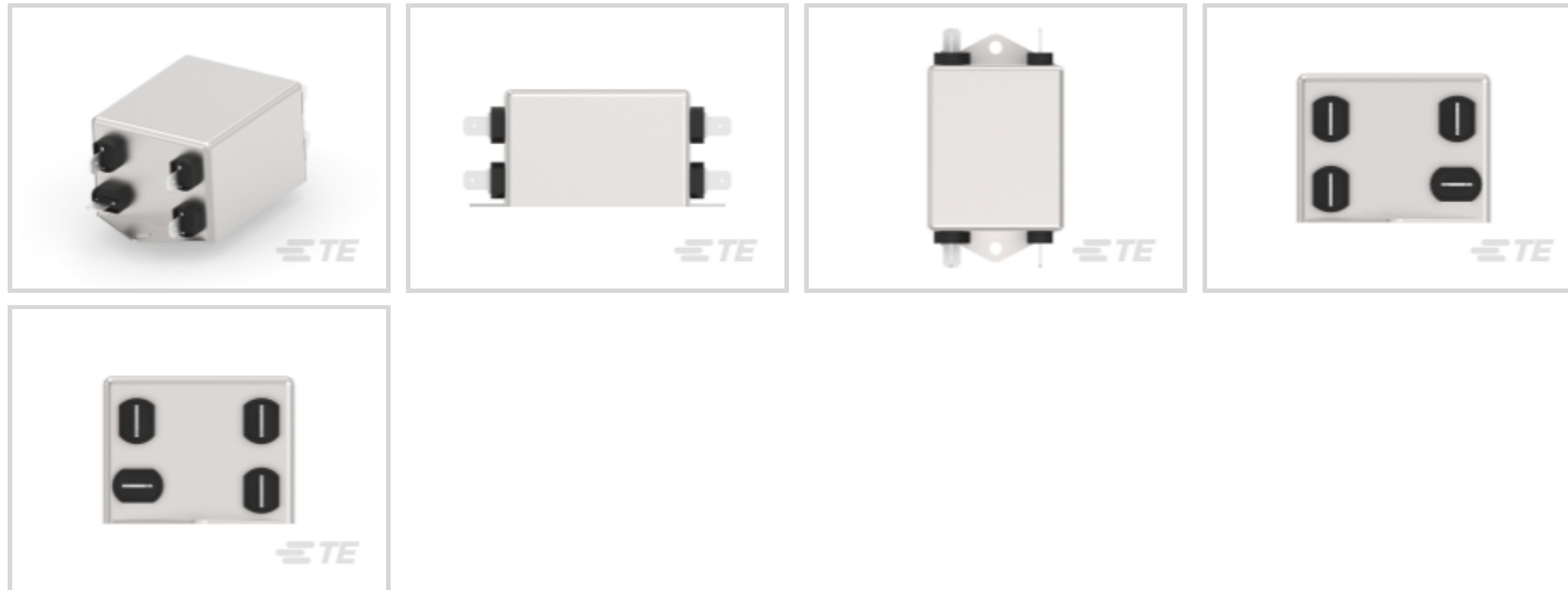
TE Internal #: 4-1609965-1

3-Phase Filters, 3A Current Rating, .250" FASTON Input, .250" FASTON Output, DELTA (3 wire + ground), Operating Voltage 520 VAC, Chassis, Corcom KEB

[View on TE.com >](#)



EMI & EMC Solutions > EMI Filters > Power Line Filters > 3-Phase Filters



Current Rating: **3 A**

Input Termination Type: **.250" FASTON**

Output Termination Type: **.250" FASTON**

Wiring Configuration: **DELTA (3 wire + ground)**

Operating Voltage: **520 VAC**

## Features

### Product Type Features

Filtering Requirements	Filtered
Input Termination Type	.250" FASTON
Output Termination Type	.250" FASTON

### Configuration Features

Wiring Configuration	DELTA (3 wire + ground)
----------------------	-------------------------

### Electrical Characteristics

Leakage Current (Max) (230VAC, 50Hz)	3
Current Rating	3 A
Operating Voltage	520 VAC

### Mechanical Attachment

Product Mount Type	Chassis
--------------------	---------

### Usage Conditions

Operating Temperature Range	-25 – 85 °C
-----------------------------	-------------



## Product Compliance

[For compliance documentation, visit the product page on TE.com>](#)

EU RoHS Directive 2011/65/EU	Compliant
EU ELV Directive 2000/53/EC	Compliant
China RoHS 2 Directive MIIT Order No 32, 2016	No Restricted Materials Above Threshold
EU REACH Regulation (EC) No. 1907/2006	Current ECHA Candidate List: JUNE 2023 (235) Candidate List Declared Against: JAN 2023 (233) Does not contain REACH SVHC
Halogen Content	Low Halogen - Br, Cl, F, I < 900 ppm per homogenous material. Also BFR/CFR/PVC Free
Solder Process Capability	Not reviewed for solder process capability

### Product Compliance Disclaimer

This information is provided based on reasonable inquiry of our suppliers and represents our current actual knowledge based on the information they provided. This information is subject to change. The part numbers that TE has identified as EU RoHS compliant have a maximum concentration of 0.1% by weight in homogenous materials for lead, hexavalent chromium, mercury, PBB, PBDE, DBP, BBP, DEHP, DIBP, and 0.01% for cadmium, or qualify for an exemption to these limits as defined in the Annexes of Directive 2011/65/EU (RoHS2). Finished electrical and electronic equipment products will be CE marked as required by Directive 2011/65/EU. Components may not be CE marked. Additionally, the part numbers that TE has identified as EU ELV compliant have a maximum concentration of 0.1% by weight in homogenous materials for lead, hexavalent chromium, and mercury, and 0.01% for cadmium, or qualify for an exemption to these limits as defined in the Annexes of Directive 2000/53/EC (ELV). Regarding the REACH Regulation, the information TE provides on SVHC in articles for this part number is based on the latest European Chemicals Agency (ECHA) 'Guidance on requirements for substances in articles' posted at this URL: <https://echa.europa.eu/guidance-documents/guidance-on-reach>

## Compatible Parts



Also in the Series | [Corcom KEB](#)



3-Phase Filters(38)

## Customers Also Bought



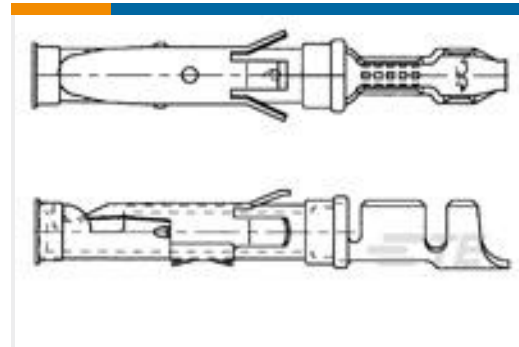
TE Part #5747299-8  
15 RCPT SP/FMS INSR



TE Part #5747845-4  
15 MSFL RCPT RA 318 (IN,FM,BL)



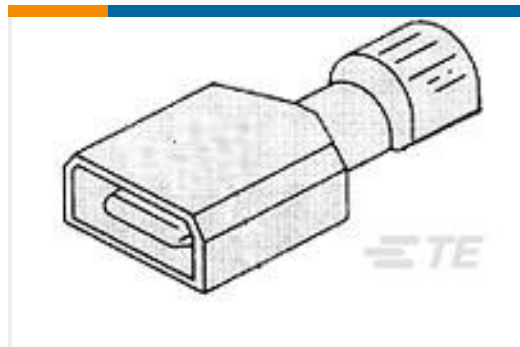
TE Part #3-1415055-1  
SR4D4024



TE Part #163084-2  
062 SOC.ASS. TYP3+



TE Part #3-1461491-6  
PCN-124D3MHZ,000



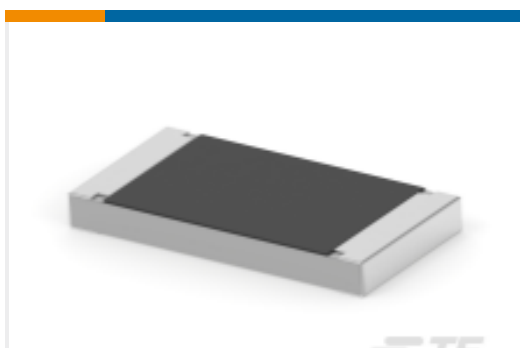
TE Part #2-520103-2  
ULTRA-FAST 250 ASSEMBLY TAB 22-18 AWG BR



TE Part #2226744-8  
KIT, PIN, SNAP-LUG, BLACK, 3/8 THREAD



TE Part #53242-6  
PG SPR SPD 22-16COM22-18MIL 10 THREAD



TE Part #4-2176350-0  
CRGCQ 2512 3M3 5%



TE Part #62576-1  
187 FASTON TAB BR

## Documents

### Product Drawings

[KEB 3A 1S SPADE DELTA 520VAC](#)

English

### CAD Files

[Customer View Model](#)

[ENG\\_CVM\\_CVM\\_4-1609965-1\\_B.3d\\_igs.zip](#)

English

[Customer View Model](#)



[ENG\\_CVM\\_CVM\\_4-1609965-1\\_B.3d\\_stp.zip](#)

English

**Customer View Model**

[ENG\\_CVM\\_CVM\\_4-1609965-1\\_B.2d\\_dxf.zip](#)

English

**3D PDF**

3D

By downloading the CAD file I accept and agree to the [Terms and Conditions](#) of use.

---

## Datasheets & Catalog Pages

**KEB SERIES**

English