

10EJT8F ✓ ACTIVE

Corcom | Corcom EJT

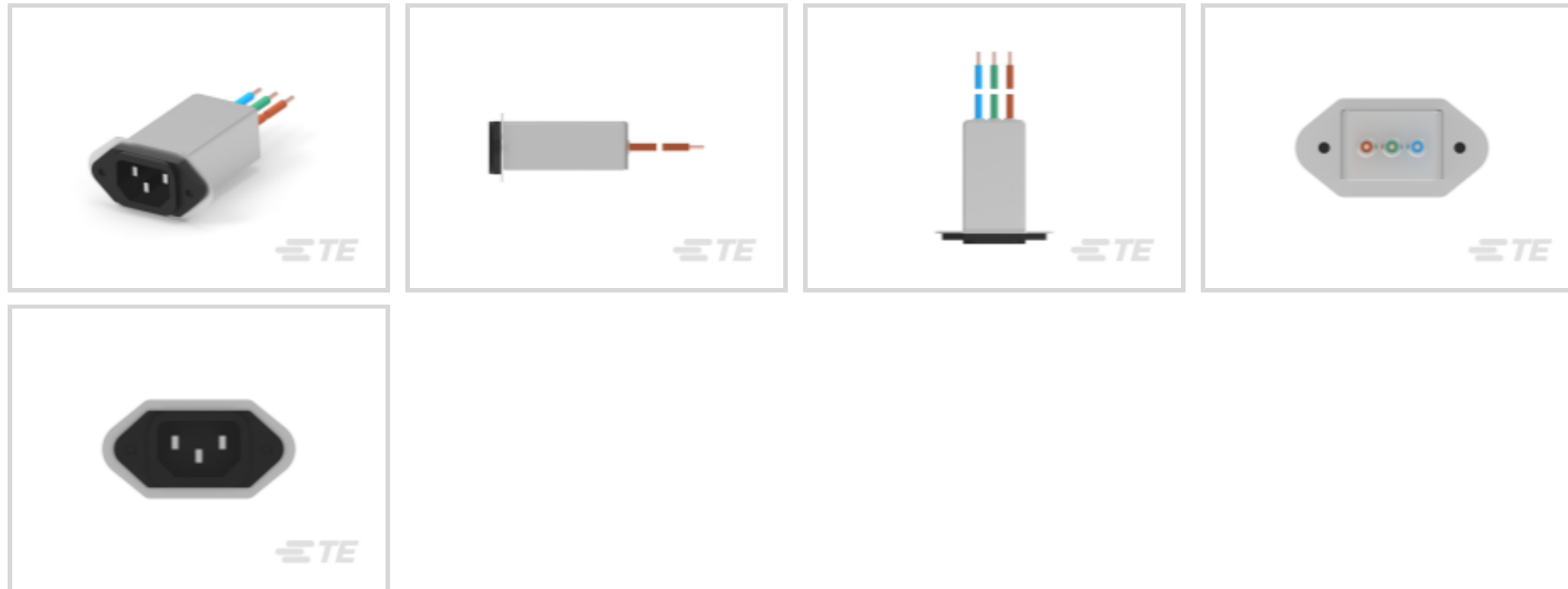
TE Internal #: 4-1609157-8

Multi-Function Inlet Filters, Power Line, Vertical, 10A Current Rating, Wire Lead Output, Operating Voltage 250 VAC, Filtered, Corcom EJT

[View on TE.com >](#)



EMI & EMC Solutions > EMI Filters > Multi-Function Inlet Filters > IEC Filtered Inlets, Corcom EJT Series



Filter Type: **Power Line**

Product Orientation: **Vertical**

Leakage Current (Max) (120VAC, 60Hz): **250 μ A**

Current Rating: **10 A**

Output Termination Type: **Wire Lead**

[All IEC Filtered Inlets, Corcom EJT Series \(22\)](#)

Features

Product Type Features

Ground Choke Option	No
Filter Type	Power Line
Output Termination Type	Wire Lead
Filtering Requirements	Filtered
Filter Connector Type	IEC 60320-1 C-14

Electrical Characteristics

Leakage Current (Max) (120VAC, 60Hz)	250 μ A
Current Rating	10 A
Operating Voltage	250 VAC

Body Features

Product Orientation	Vertical
---------------------	----------

Mechanical Attachment

Panel Mount Feature Type

Extended Flange

Product Compliance

[For compliance documentation, visit the product page on TE.com>](#)

EU RoHS Directive 2011/65/EU

Compliant

EU ELV Directive 2000/53/EC

Compliant

China RoHS 2 Directive MIIT Order No 32, 2016

No Restricted Materials Above Threshold

EU REACH Regulation (EC) No. 1907/2006

Current ECHA Candidate List: JUNE 2023 (235)
 Candidate List Declared Against: JUNE 2023 (235)
 Does not contain REACH SVHC

Halogen Content

Not Low Halogen - contains Br or Cl > 900 ppm.

Solder Process Capability

Not applicable for solder process capability

Product Compliance Disclaimer

This information is provided based on reasonable inquiry of our suppliers and represents our current actual knowledge based on the information they provided. This information is subject to change. The part numbers that TE has identified as EU RoHS compliant have a maximum concentration of 0.1% by weight in homogenous materials for lead, hexavalent chromium, mercury, PBB, PBDE, DBP, BBP, DEHP, DIBP, and 0.01% for cadmium, or qualify for an exemption to these limits as defined in the Annexes of Directive 2011/65/EU (RoHS2). Finished electrical and electronic equipment products will be CE marked as required by Directive 2011/65/EU. Components may not be CE marked. Additionally, the part numbers that TE has identified as EU ELV compliant have a maximum concentration of 0.1% by weight in homogenous materials for lead, hexavalent chromium, and mercury, and 0.01% for cadmium, or qualify for an exemption to these limits as defined in the Annexes of Directive 2000/53/EC (ELV). Regarding the REACH Regulation, the information TE provides on SVHC in articles for this part number is based on the latest European Chemicals Agency (ECHA) 'Guidance on requirements for substances in articles' posted at this URL: <https://echa.europa.eu/guidance-documents/guidance-on-reach>

Compatible Parts

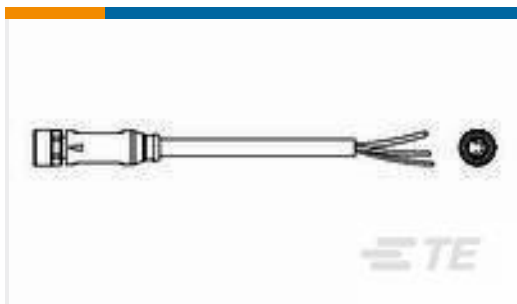
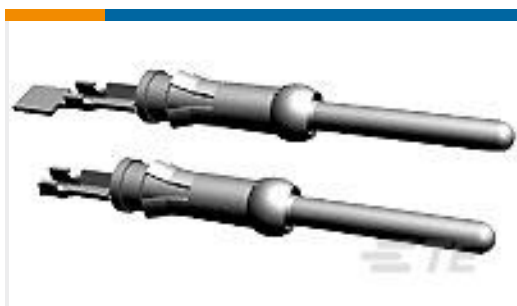


Also in the Series | [Corcom EJT](#)



Multi-Function Inlet Filters(22)

Customers Also Bought

TE Part #2273003-1
M8 x 1.0 straight socket PigtailTE Part #6-1618241-1
K81C345=RELAY, VACUUM, SPDTTE Part #321026
SPLICE,PG BUTT 26-22TE Part #1-87221-0
11 MODII HDR SRST UNSHRD .150TE Part #66400-1
III+ PIN,24-20,TIN-LEAD,LPTE Part #4-1393249-8
W58-XC4C12A-4=W58TE Part #4-1609157-4
15EJT1F=F8137ATE Part #4-1618388-6
LEV200A5NAA=RELAY, SPST-NOTE Part #NB-PTCO-049
Pt100, 2.0x10.0, Class B, PTFB101BG00

Documents

CAD Files

Customer View Model

[ENG_CVM_CVM_4-1609157-8_B1.3d_igs.zip](#)

English

Customer View Model

[ENG_CVM_CVM_4-1609157-8_B1.3d_stp.zip](#)

English

Customer View Model

[ENG_CVM_CVM_4-1609157-8_B1.2d_dxf.zip](#)



English

[3D PDF](#)

[3D](#)

By downloading the CAD file I accept and agree to the [Terms and Conditions](#) of use.

Datasheets & Catalog Pages

[1654001_CORCOM_PRODUCT_GUIDE](#)

English

[Corcom EJT Flanged Inlet Filter](#)

English

[Corcom Combined Selector Charts](#)

English