

# 15EJT1F ✓ ACTIVE

Corcom | Corcom EJT

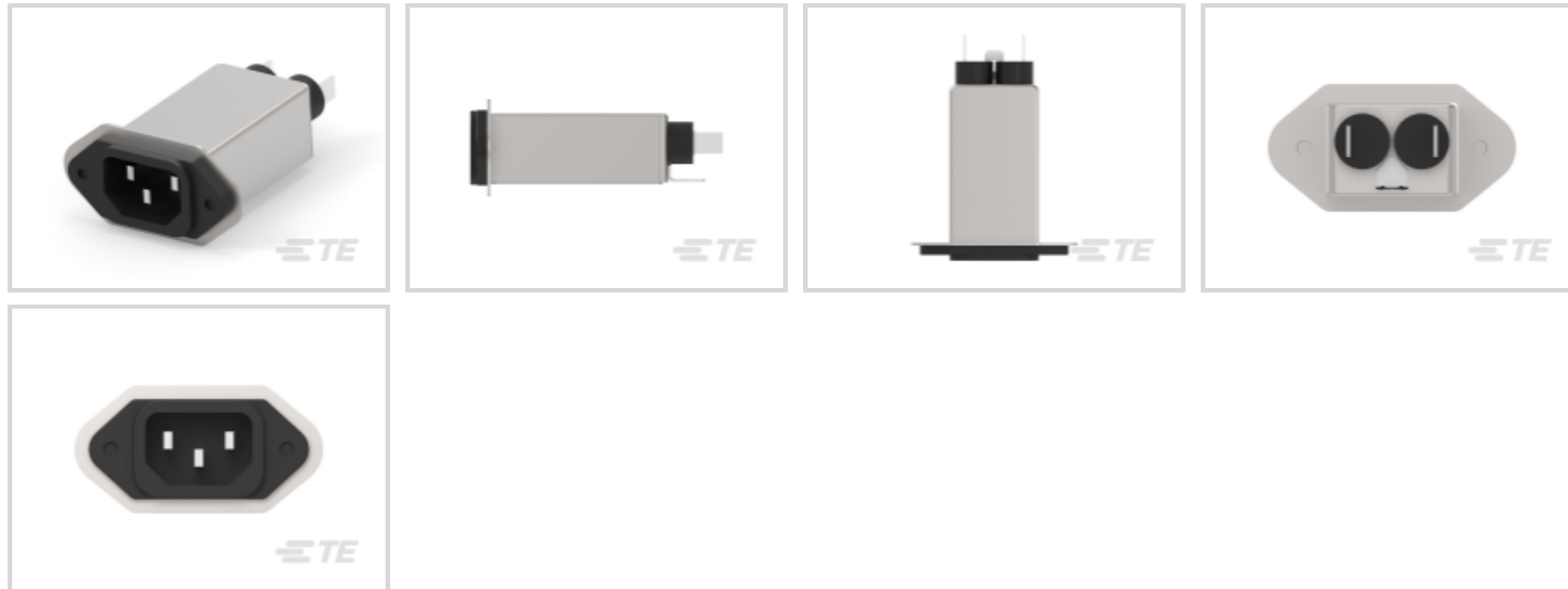
TE Internal #: 4-1609157-4

Multi-Function Inlet Filters, Power Line, Vertical, 15A Current Rating, .250" FASTON Output, Operating Voltage 250 VAC, Filtered, Corcom EJT

[View on TE.com >](#)



EMI & EMC Solutions > EMI Filters > Multi-Function Inlet Filters > IEC Filtered Inlets, Corcom EJT Series



Filter Type: **Power Line**

Product Orientation: **Vertical**

Leakage Current (Max) (120VAC, 60Hz): **250  $\mu$ A**

Current Rating: **15 A**

Output Termination Type: **.250" FASTON**

[All IEC Filtered Inlets, Corcom EJT Series \(22\)](#)

## Features

### Product Type Features

|                         |                  |
|-------------------------|------------------|
| Ground Choke Option     | No               |
| Filter Type             | Power Line       |
| Output Termination Type | .250" FASTON     |
| Filtering Requirements  | Filtered         |
| Filter Connector Type   | IEC 60320-1 C-14 |

### Electrical Characteristics

|                                      |             |
|--------------------------------------|-------------|
| Leakage Current (Max) (120VAC, 60Hz) | 250 $\mu$ A |
| Current Rating                       | 15 A        |
| Operating Voltage                    | 250 VAC     |

### Body Features

|                     |          |
|---------------------|----------|
| Product Orientation | Vertical |
|---------------------|----------|

### Mechanical Attachment

Panel Mount Feature Type

Extended Flange

## Product Compliance

[For compliance documentation, visit the product page on TE.com>](#)

EU RoHS Directive 2011/65/EU

Compliant

EU ELV Directive 2000/53/EC

Compliant

China RoHS 2 Directive MIIT Order No 32, 2016

No Restricted Materials Above Threshold

EU REACH Regulation (EC) No. 1907/2006

Current ECHA Candidate List: JUNE 2023 (235)

Candidate List Declared Against: JUNE 2023 (235)

Does not contain REACH SVHC

Halogen Content

Not Low Halogen - contains Br or Cl &gt; 900 ppm.

Solder Process Capability

Not applicable for solder process capability

### Product Compliance Disclaimer

This information is provided based on reasonable inquiry of our suppliers and represents our current actual knowledge based on the information they provided. This information is subject to change. The part numbers that TE has identified as EU RoHS compliant have a maximum concentration of 0.1% by weight in homogenous materials for lead, hexavalent chromium, mercury, PBB, PBDE, DBP, BBP, DEHP, DIBP, and 0.01% for cadmium, or qualify for an exemption to these limits as defined in the Annexes of Directive 2011/65/EU (RoHS2). Finished electrical and electronic equipment products will be CE marked as required by Directive 2011/65/EU. Components may not be CE marked. Additionally, the part numbers that TE has identified as EU ELV compliant have a maximum concentration of 0.1% by weight in homogenous materials for lead, hexavalent chromium, and mercury, and 0.01% for cadmium, or qualify for an exemption to these limits as defined in the Annexes of Directive 2000/53/EC (ELV). Regarding the REACH Regulation, the information TE provides on SVHC in articles for this part number is based on the latest European Chemicals Agency (ECHA) 'Guidance on requirements for substances in articles' posted at this URL: <https://echa.europa.eu/guidance-documents/guidance-on-reach>

## Compatible Parts



Also in the Series | [Corcom EJT](#)

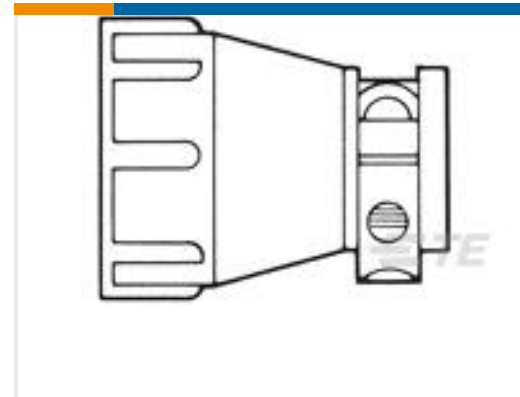


Multi-Function Inlet Filters(22)

## Customers Also Bought



TE Part #211771-1  
Cable/Panel Mount Connector, CPC  
Series 1



TE Part #206138-8  
CLAMP CBL SHELL SIZE 23



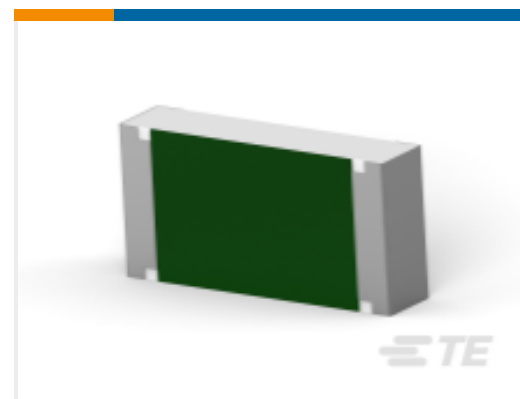
TE Part #321017  
TERMINAL, PIDG R 26-22 4



TE Part #1445336-3  
LOOSE PC CONTACT 30 AU PLATED



TE Part #2267079-2  
TMS6T3B1M1QE



TE Part #6-2176397-0  
3502 300R 1%



TE Part #6609105-9  
PS0S0DBX0=C1177



TE Part #1-66105-9  
Pin and Socket Contacts, Type III, LP

## Documents

### CAD Files

#### 3D PDF

3D

#### Customer View Model

[ENG\\_CVM\\_CVM\\_4-1609157-4\\_B.2d\\_dxf.zip](#)

English

#### Customer View Model

[ENG\\_CVM\\_CVM\\_4-1609157-4\\_B.3d\\_igs.zip](#)

English

#### Customer View Model

[ENG\\_CVM\\_CVM\\_4-1609157-4\\_B.3d\\_stp.zip](#)

English

By downloading the CAD file I accept and agree to the [Terms and Conditions](#) of use.

### Datasheets & Catalog Pages

[1654001\\_CORCOM\\_PRODUCT\\_GUIDE](#)

English

15EJT1F

Multi-Function Inlet Filters, Power Line, Vertical, 15A Current Rating, .250" FASTON Output, Operating Voltage 250 VAC, Filtered, Corcom EJT



[Corcom EJT Flanged Inlet Filter](#)

English

[Corcom Combined Selector Charts](#)

English