



SIAMEZE

TE Internal #: 4-1601237-1

Magnet Wire Terminals, Wire-to-Wire, Lead Wire Size 20 AWG,
Lead Wire Size .5 mm², .13 – .36 mm Magnet Wire, 36 – 27 AWG

Magnet Wire, SIAMEZE

[View on TE.com >](#)

Terminals & Splices > Magnet Wire Terminals



Magnet Wire Terminal Type: **Wire-to-Wire**

Lead Wire Size: **.5 mm²**

Magnet Wire Size: **.13 – .36 mm**

Features

Product Type Features

Compatible With Discrete Wire Type	Magnet Wire, Solid
------------------------------------	--------------------

Contact Features

Magnet Wire Terminal Type	Wire-to-Wire
Terminal Plating Material	Unplated
Terminal Orientation	Straight

Termination Features

Termination Method to Wire & Cable	Insulation Displacement (IDC)
------------------------------------	-------------------------------

Dimensions

Terminal Height	3.18 mm[.125 in]
Lead Wire Size	.5 mm ²
Magnet Wire Size	.13 – .36 mm
Stock Thickness (Magnet Wire Side)	.51 mm[.02 in]
Product Length	7.62 mm[.3 in]

Usage Conditions

Insulation Option	Uninsulated
-------------------	-------------



Operation/Application

Compatible With Wire Base Material	Copper
------------------------------------	--------

Packaging Features

Packaging Method	Bag
------------------	-----

Product Compliance

[For compliance documentation, visit the product page on TE.com>](#)

EU RoHS Directive 2011/65/EU	Compliant
EU ELV Directive 2000/53/EC	Compliant
China RoHS 2 Directive MIIT Order No 32, 2016	No Restricted Materials Above Threshold
EU REACH Regulation (EC) No. 1907/2006	Current ECHA Candidate List: JUNE 2023 (235) Candidate List Declared Against: JUNE 2023 (235) Does not contain REACH SVHC
Halogen Content	Low Halogen - Br, Cl, F, I < 900 ppm per homogenous material. Also BFR/CFR/PVC Free
Solder Process Capability	Not applicable for solder process capability

Product Compliance Disclaimer

This information is provided based on reasonable inquiry of our suppliers and represents our current actual knowledge based on the information they provided. This information is subject to change. The part numbers that TE has identified as EU RoHS compliant have a maximum concentration of 0.1% by weight in homogenous materials for lead, hexavalent chromium, mercury, PBB, PBDE, DBP, BBP, DEHP, DIBP, and 0.01% for cadmium, or qualify for an exemption to these limits as defined in the Annexes of Directive 2011/65/EU (RoHS2). Finished electrical and electronic equipment products will be CE marked as required by Directive 2011/65/EU. Components may not be CE marked. Additionally, the part numbers that TE has identified as EU ELV compliant have a maximum concentration of 0.1% by weight in homogenous materials for lead, hexavalent chromium, and mercury, and 0.01% for cadmium, or qualify for an exemption to these limits as defined in the Annexes of Directive 2000/53/EC (ELV). Regarding the REACH Regulation, the information TE provides on SVHC in articles for this part number is based on the latest European Chemicals Agency (ECHA) 'Guidance on requirements for substances in articles' posted at this URL: <https://echa.europa.eu/guidance-documents/guidance-on-reach>

Compatible Parts





Also in the Series | SIAMEZE



Insertion & Extraction Tools(1)

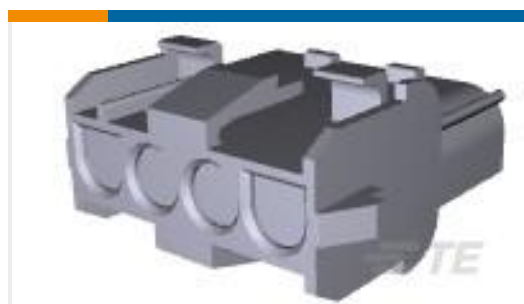


Magnet Wire Terminals(196)

Customers Also Bought



TE Part #1-480704-0
06P UMNL PLUG HSG NATL



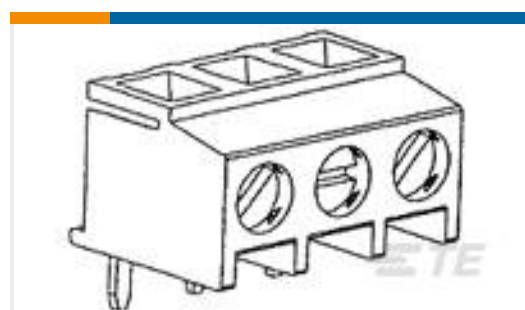
TE Part #926305-7
4P UNIV M-N-L CAP



TE Part #794606-1
MICRO MNL RPT CNT STRIP 20-24



TE Part #63658-1
MAG MATE TERM 25-22 016TPBR



TE Part #284093-3
TERMI-BLOK PCB MOUNT 90, 5,0MM



TE Part #280232
250 FASTON POST INS.,REC.,1 POS,
NATRUAL



TE Part #62895-1
MAG-MATE POKE-IN TAB 018 TPBR



TE Part #1601056-1
131-119-000=WIRE2WIRE,STD,SMZ



TE Part #1601237-1
WIRE2WIRE,FINE,SMZ

Documents

[Product Drawings](#)
[WIRE2WIRE,FINE,SMZ](#)

English

[WIRE2WIRE,FINE,SMZ](#)

English

[CAD Files](#)



3D PDF

3D

Customer View Model

[ENG_CVM_CVM_4-1601237-1_A.2d_dxf.zip](#)

English

Customer View Model

[ENG_CVM_CVM_4-1601237-1_A.3d_igs.zip](#)

English

Customer View Model

[ENG_CVM_CVM_4-1601237-1_A.3d_stp.zip](#)

English

By downloading the CAD file I accept and agree to the [Terms and Conditions](#) of use.

Datasheets & Catalog Pages

Magnet Wire Terminals & Splices

English

[1-1773702-7 _IDC_Magnet_Wire](#)

English

Product Specifications

Application Specification

English

Product Environmental Compliance

Product Compliance

English

Product Compliance

English