

# W54-XB2A99C10-25 ✓ ACTIVE

## Potter & Brumfield W54

TE Internal #: 4-1423674-9

Circuit Breakers, Thermal, Series Trip, White, Operating Voltage 250 VAC, Operating Voltage 50 VDC, 25A Current Rating, 1 Pole, Potter & Brumfield W54

[View on TE.com >](#)



Relays, Contactors & Switches > Circuit Breakers



Circuit Breaker Type: **Thermal**

Circuit Function: **Series Trip**

Illuminated: **No**

Actuator Color: **White**

Operating Voltage: **250 VAC**

### Features

#### Product Type Features

Illumination Type	No Light
Actuator Type	Push to Reset
Terminal Configuration	6.35 [.25] Straight Quick Connect Tab
Circuit Breaker Type	Thermal
Illuminated	No

#### Configuration Features

Panel Cutout Size	8.8 x 9.7 mm [.346 x .382 in]
Circuit Function	Series Trip
Number of Poles	1

#### Electrical Characteristics

Operating Voltage	50 VDC
Current Rating	25 A
Interrupt Capacity	1000A @ 250VAC/50VDC

#### Body Features

Actuator Color	White
----------------	-------

#### Contact Features

Trip Time at 200%	5 – 30 seconds
-------------------	----------------

#### Mechanical Attachment



Mounting Hardware Packaging	No Mounting Hardware
Mounting Bushing	3/8" (One Side Flat) x 10mm Long, Metal
Mounting Options	None

### Identification Marking

Stamped Marking Type	Red Rate Marking
----------------------	------------------

### Product Compliance

[For compliance documentation, visit the product page on TE.com>](#)

EU RoHS Directive 2011/65/EU	Compliant with Exemptions
EU ELV Directive 2000/53/EC	Not Compliant
China RoHS 2 Directive MIIT Order No 32, 2016	Restricted Materials Above Threshold
EU REACH Regulation (EC) No. 1907/2006	Current ECHA Candidate List: JUNE 2023 (235) Candidate List Declared Against: JUL 2021 (219) SVHC > Threshold: Cadmium oxide (11.48% in Component Part) <b>Article Safe Usage Statements:</b> Use personal protective equipment as required. Do not eat, drink or smoke when using this product. Recycle if possible and dispose of the article by following all applicable governmental regulations relevant to your geographic location.
Halogen Content	Not Yet Reviewed for halogen content
Solder Process Capability	Not applicable for solder process capability

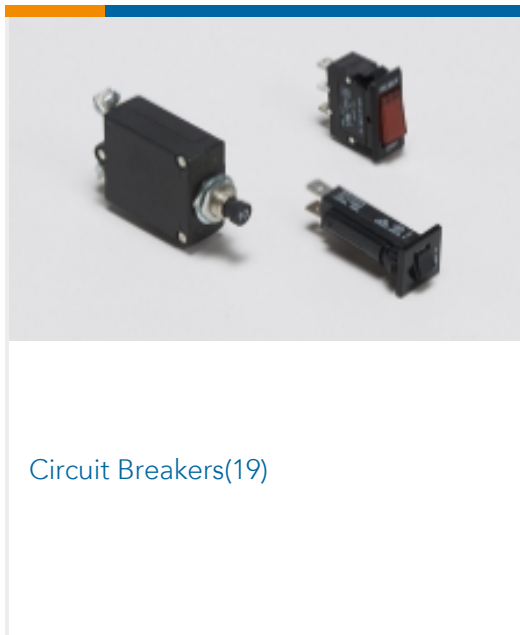
#### Product Compliance Disclaimer

This information is provided based on reasonable inquiry of our suppliers and represents our current actual knowledge based on the information they provided. This information is subject to change. The part numbers that TE has identified as EU RoHS compliant have a maximum concentration of 0.1% by weight in homogenous materials for lead, hexavalent chromium, mercury, PBB, PBDE, DBP, BBP, DEHP, DIBP, and 0.01% for cadmium, or qualify for an exemption to these limits as defined in the Annexes of Directive 2011/65/EU (RoHS2). Finished electrical and electronic equipment products will be CE marked as required by Directive 2011/65/EU. Components may not be CE marked. Additionally, the part numbers that TE has identified as EU ELV compliant have a maximum concentration of 0.1% by weight in homogenous materials for lead, hexavalent chromium, and mercury, and 0.01% for cadmium, or qualify for an exemption to these limits as defined in the Annexes of Directive 2000/53/EC (ELV). Regarding the REACH Regulation, the information TE provides on SVHC in articles for this part number is based on the latest European Chemicals Agency (ECHA) 'Guidance on requirements for substances in articles' posted at this URL: <https://echa.europa.eu/guidance-documents/guidance-on-reach>

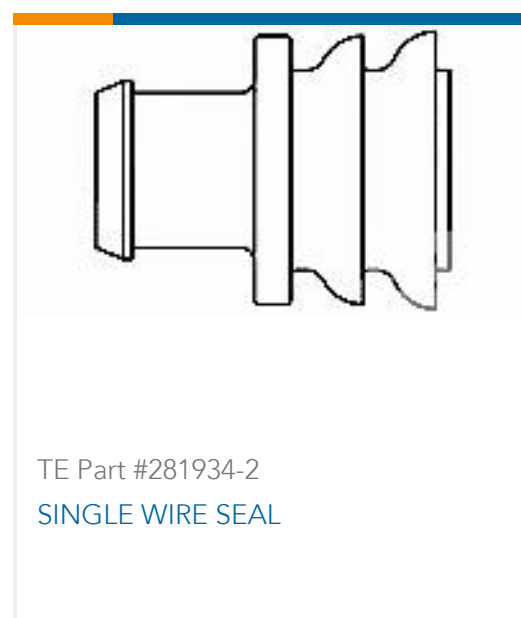
### Compatible Parts



## Also in the Series | Potter & Brumfield W54



## Customers Also Bought



## Documents

[CAD Files](#)

[3D PDF](#)

[3D](#)

[Customer View Model](#)

[ENG\\_CVM\\_CVM\\_4-1423674-9\\_C.2d\\_dxf.zip](#)

English



### Customer View Model

[ENG\\_CVM\\_CVM\\_4-1423674-9\\_C.3d\\_igs.zip](#)

English

### Customer View Model

[ENG\\_CVM\\_CVM\\_4-1423674-9\\_C.3d\\_stp.zip](#)

English

By downloading the CAD file I accept and agree to the [Terms and Conditions](#) of use.

### Datasheets & Catalog Pages

[W54 Push To Reset Only Thermal Circuit Breaker](#)

English

### Agency Approvals

[CCC Certificate](#)

English