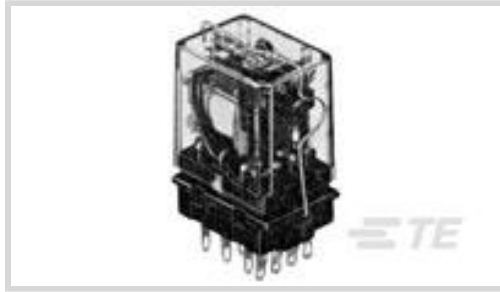




Relays, Contactors & Switches > Relays > Relay Accessories, Sockets & Clips



Relay Accessory, Socket & Clip Product Type: **Accessory**

Relay Accessory, Socket & Clip Body Material: **Stainless Steel**

Relay Accessory, Socket & Clip For Use With: **R10 Relays**

Relay Accessory Type: **Hold-Down Spring**

Features

Product Type Features

Relay Accessory, Socket & Clip Product Type	Accessory
Relay Accessory Type	Hold-Down Spring

Body Features

Relay Accessory, Socket & Clip Body Material	Stainless Steel
--	-----------------

Operation/Application

Relay Accessory, Socket & Clip For Use With	R10 Relays
---	------------

Other

Comment	Use with Socket 1-1419106-9, Use with Sockets 1-1393143-9 and 2-1419106-6.
---------	--

Product Compliance

[For compliance documentation, visit the product page on TE.com>](#)

EU RoHS Directive 2011/65/EU	Compliant
EU ELV Directive 2000/53/EC	Compliant
China RoHS 2 Directive MIIT Order No 32, 2016	No Restricted Materials Above Threshold
EU REACH Regulation (EC) No. 1907/2006	Current ECHA Candidate List: JUNE 2023 (235) Candidate List Declared Against: JUNE 2023 (235) Does not contain REACH SVHC
Halogen Content	Low Halogen - Br, Cl, F, I < 900 ppm per homogenous material. Also BFR/CFR/PVC



Free

Solder Process Capability

Not applicable for solder process capability

Product Compliance Disclaimer

This information is provided based on reasonable inquiry of our suppliers and represents our current actual knowledge based on the information they provided. This information is subject to change. The part numbers that TE has identified as EU RoHS compliant have a maximum concentration of 0.1% by weight in homogenous materials for lead, hexavalent chromium, mercury, PBB, PBDE, DBP, BBP, DEHP, DIBP, and 0.01% for cadmium, or qualify for an exemption to these limits as defined in the Annexes of Directive 2011/65/EU (RoHS2). Finished electrical and electronic equipment products will be CE marked as required by Directive 2011/65/EU. Components may not be CE marked. Additionally, the part numbers that TE has identified as EU ELV compliant have a maximum concentration of 0.1% by weight in homogenous materials for lead, hexavalent chromium, and mercury, and 0.01% for cadmium, or qualify for an exemption to these limits as defined in the Annexes of Directive 2000/53/EC (ELV). Regarding the REACH Regulation, the information TE provides on SVHC in articles for this part number is based on the latest European Chemicals Agency (ECHA) 'Guidance on requirements for substances in articles' posted at this URL: <https://echa.europa.eu/guidance-documents/guidance-on-reach>

Compatible Parts

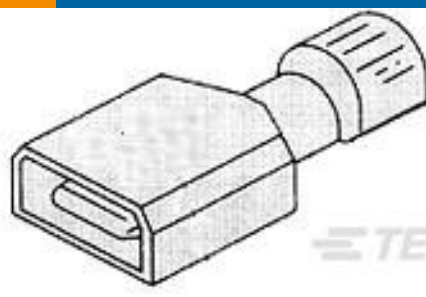


TE Part # 1-1393143-9
27E166=SOCKET,KH,14,SCW,PLES

Customers Also Bought



TE Part #1-320627-0
N PIDG RING 16-14 HD 8




TE Part #4-521097-2
ULTRA-FAST 250 ASY TAB 12-10 AWG TPBR



TE Part #2-520193-2
ULTRA-FAST 187 ASY REC 22-18 TPBR




TE Part #61944-2
250 FASTON REC 18-14 AWG TPBR



TE Part #3-520140-2
ULTRA-FAST 250 ASY REC 16-14 AWG TPBR



TE Part #42801-2
187 FASTON REC 20-16 AWG TPBR



TE Part #2-35653-1
SPLICE,N CE 22-10



TE Part #2-1393117-9
KUP-11A55-120=KU



Documents

CAD Files

3D PDF

3D

Customer View Model

[ENG_CVM_CVM_4-1393159-3_A.2d_dxf.zip](#)

English

Customer View Model

[ENG_CVM_CVM_4-1393159-3_A.3d_igs.zip](#)

English

Customer View Model

[ENG_CVM_CVM_4-1393159-3_A.3d_stp.zip](#)

English

By downloading the CAD file I accept and agree to the [Terms and Conditions](#) of use.

Datasheets & Catalog Pages

KH Sockets & Accessories

English

Product Specifications

Definitions General Purpose Relays

English

Product Environmental Compliance

TE Material Declaration

English