

27E419 ✓ ACTIVE

Potter & Brumfield | Potter & Brumfield KUP

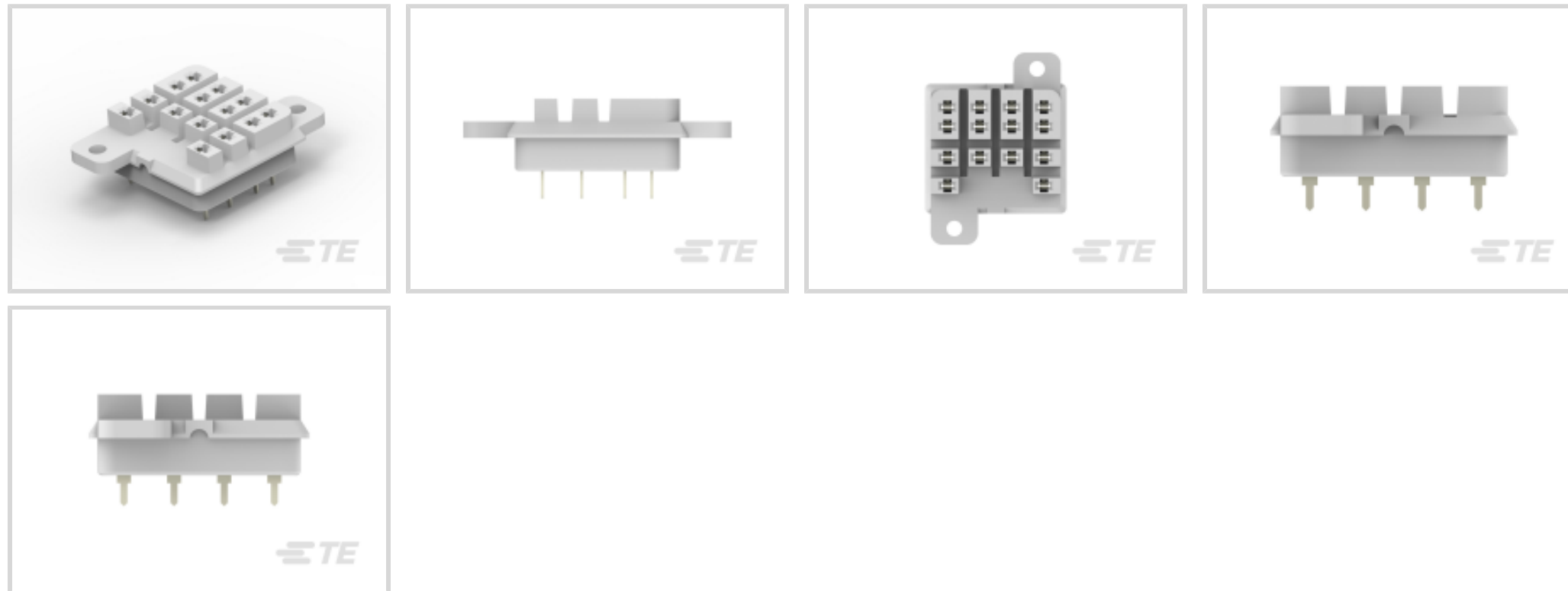
TE Internal #: 4-1393143-0

Relay Accessories, Sockets & Clips, Socket, Printed Circuit Board,  
Nylon, KUP Relays, Hard Mount, 4, Socket, Potter & Brumfield KUP

[View on TE.com >](#)



Relays, Contactors & Switches > Relays > Relay Accessories, Sockets & Clips



Relay Accessory, Socket & Clip Product Type: **Socket**

Relay Accessory, Socket & Clip Socket Type: **Printed Circuit Board**

Grounding Provision: **Without**

Relay Accessory, Socket & Clip Body Material: **Nylon**

Relay Accessory, Socket & Clip For Use With: **KUP Relays**

## Features

### Product Type Features

Terminal Configuration	PC
Relay Accessory, Socket & Clip Product Type	Socket
Relay Accessory Type	Socket

### Configuration Features

Grounding Provision	Without
---------------------	---------

### Body Features

Relay Accessory, Socket & Clip Body Material	Nylon
--	-------

### Contact Features

Terminal Length	5.33 mm[.21 in]
Contact Plating Material	Tin
Contact Base Material	Spring Brass
Relay Accessory, Socket & Clip Socket Type	Printed Circuit Board
Pole Configuration	4

### Termination Features

Number of Pins	11
----------------	----

### Mechanical Attachment

Relay Accessory, Socket & Clip Mounting Type	Hard Mount
--	------------

### Operation/Application

Relay Accessory, Socket & Clip For Use With	KUP Relays
---	------------

## Product Compliance

[For compliance documentation, visit the product page on TE.com>](#)

EU RoHS Directive 2011/65/EU	Compliant
------------------------------	-----------

EU ELV Directive 2000/53/EC	Compliant
-----------------------------	-----------

China RoHS 2 Directive MIIT Order No 32, 2016	No Restricted Materials Above Threshold
---	---

EU REACH Regulation (EC) No. 1907/2006	Current ECHA Candidate List: JUNE 2023 (235) Candidate List Declared Against: JUNE 2023 (235) Does not contain REACH SVHC
--	---

Halogen Content	Low Halogen - Br, Cl, F, I < 900 ppm per homogenous material. Also BFR/CFR/PVC Free
-----------------	---

Solder Process Capability	Not applicable for solder process capability
---------------------------	--


#### Product Compliance Disclaimer

This information is provided based on reasonable inquiry of our suppliers and represents our current actual knowledge based on the information they provided. This information is subject to change. The part numbers that TE has identified as EU RoHS compliant have a maximum concentration of 0.1% by weight in homogenous materials for lead, hexavalent chromium, mercury, PBB, PBDE, DBP, BBP, DEHP, DIBP, and 0.01% for cadmium, or qualify for an exemption to these limits as defined in the Annexes of Directive 2011/65/EU (RoHS2). Finished electrical and electronic equipment products will be CE marked as required by Directive 2011/65/EU. Components may not be CE marked. Additionally, the part numbers that TE has identified as EU ELV compliant have a maximum concentration of 0.1% by weight in homogenous materials for lead, hexavalent chromium, and mercury, and 0.01% for cadmium, or qualify for an exemption to these limits as defined in the Annexes of Directive 2000/53/EC (ELV). Regarding the REACH Regulation, the information TE provides on SVHC in articles for this part number is based on the latest European Chemicals Agency (ECHA) 'Guidance on requirements for substances in articles' posted at this URL: <https://echa.europa.eu/guidance-documents/guidance-on-reach>

## Compatible Parts




TE Part # 5-1393118-0  
KUP-17D19-24=KU



TE Part # 3-1393159-9  
20C254=SPRING,HOLD-DOWN,KUP,.0



TE Part # 1419111-3  
20C228=SPRING,HOLD-DOWN,KUP,.0



TE Part # 5-1393118-9  
KUP-5A15-120=KU



TE Part # 6-1393118-1  
KUP-5A15-240=KU



TE Part # 6-1393118-6  
KUP-5D15-12=KU



TE Part # 6-1393118-7  
KUP-5D15-24=KU



TE Part # 4-1393118-2  
KUP-17A19-120=KU



TE Part # 4-1393118-3  
KUP-17A19-24=KU



TE Part # 4-1393118-9  
KUP-17D19-12=KU



TE Part # 6-1393118-0  
KUP-5A15-24=KU



TE Part # 5-1423996-5  
KUP-17A39-120=RELAY,4C,AGCDO,  
QC.110,LAMP



TE Part # 4-1393118-8  
KUP-17D19-110=KU

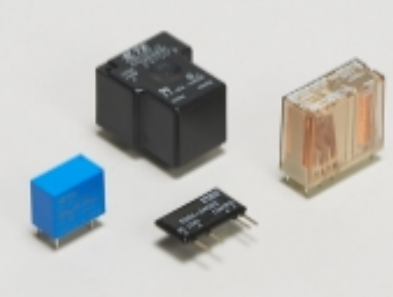


TE Part # 6-1423960-9  
KUP-17D19-48=RELAY,4C,AGCDO,  
QC.110,DUST

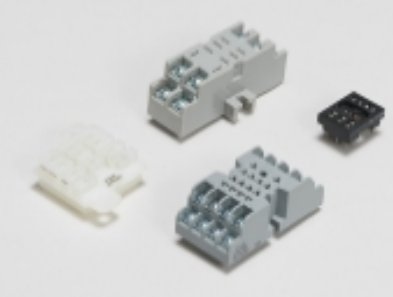


TE Part # 1-1423960-2  
KUP-17D19F-110=RELAY,4C,AGCDO,  
GOLD FLASH

Also in the Series | **Potter & Brumfield KUP**



Power Relays(155)



Relay Accessories, Sockets & Clips(12)

Customers Also Bought



## Documents

### CAD Files

#### 3D PDF

3D

#### Customer View Model

[ENG\\_CVM\\_CVM\\_4-1393143-0\\_A.2d\\_dxf.zip](#)

English

#### Customer View Model

[ENG\\_CVM\\_CVM\\_4-1393143-0\\_A.3d\\_igs.zip](#)

English

#### Customer View Model

[ENG\\_CVM\\_CVM\\_4-1393143-0\\_A.3d\\_stp.zip](#)

English

By downloading the CAD file I accept and agree to the [Terms and Conditions](#) of use.

### Datasheets & Catalog Pages

#### KU Sockets & Accessories

English

### Product Specifications

#### Definitions General Purpose Relays

English