

36906 ✓ ACTIVE

SOLISTRAND

TE Internal #: 36906

Splices, Butt Splice, 8 AWG Wire Size, 8 mm² Wire Size, Sight Hole, .172 in [4.37 mm] Barrel Inside Diameter, 13100 – 20800 CMA Wire Size, Copper

[View on TE.com >](#)



Terminals & Splices > Splices



Wire Size: 8 mm²

Sealable: No

Splice Features: Sight Hole

Barrel Inside Diameter: 4.37 mm [.172 in]

Features

Product Type Features

Splice Accessory Type	Splice
Sealable	No
Splice Type	Butt Splice
Compatible With Discrete Wire Type	Solid, Stranded
Wire Insulation Support Retention Type	Non-Insulation Support

Configuration Features

Compatible With Wire & Cable Type	Discrete Wire
-----------------------------------	---------------

Body Features

Product Weight	4.622 g
Splice Features	Sight Hole

Contact Features

	100 μin
Terminal Plating Material	Tin
Contact Base Material	Copper



Barrel Type	Closed
-------------	--------

Mechanical Attachment

Wire Insulation Support	Without
-------------------------	---------

Dimensions

Outside Diameter	7.52 mm[.296 in]
------------------	------------------

Wire Size	13100 – 20800 CMA
-----------	-------------------

Barrel Inside Diameter	4.37 mm[.172 in]
------------------------	------------------

Terminal Material Thickness	1.3 mm[.051 in]
-----------------------------	-----------------

Product Length	21.01 mm[.827 in]
----------------	-------------------

Usage Conditions

Insulation Option	Uninsulated
-------------------	-------------

Operating Temperature Range	170 °C[338 °F]
-----------------------------	----------------

Operation/Application

Compatible With Wire Base Material	Copper
------------------------------------	--------

Industry Standards

Government Qualified Splice	No
-----------------------------	----

Packaging Features

Packaging Quantity	100
--------------------	-----

Packaging Method	Loose Piece
------------------	-------------

Product Compliance

[For compliance documentation, visit the product page on TE.com>](#)

EU RoHS Directive 2011/65/EU	Compliant
------------------------------	-----------

EU ELV Directive 2000/53/EC	Compliant
-----------------------------	-----------

China RoHS 2 Directive MIIT Order No 32, 2016	No Restricted Materials Above Threshold
---	---

EU REACH Regulation (EC) No. 1907/2006	Current ECHA Candidate List: JUNE 2023 (235) Candidate List Declared Against: JUNE 2023 (235) Does not contain REACH SVHC
--	---

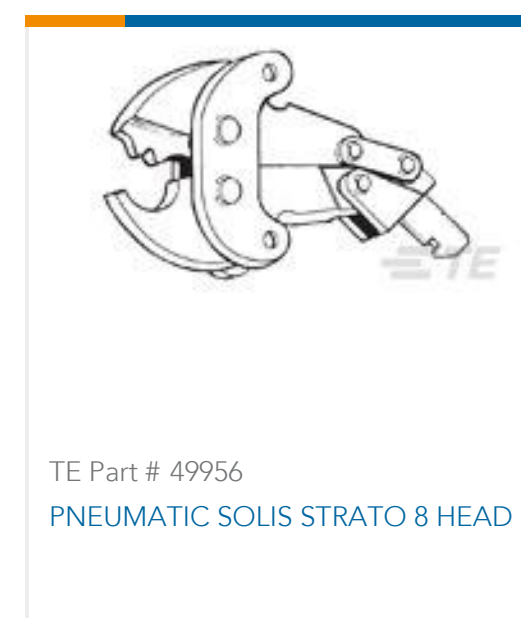
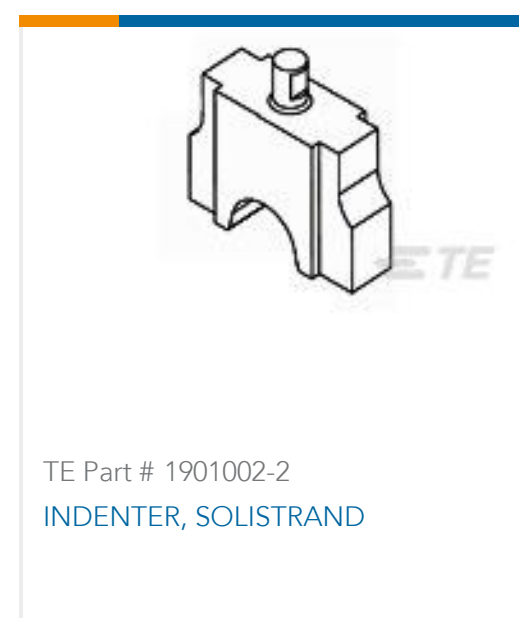
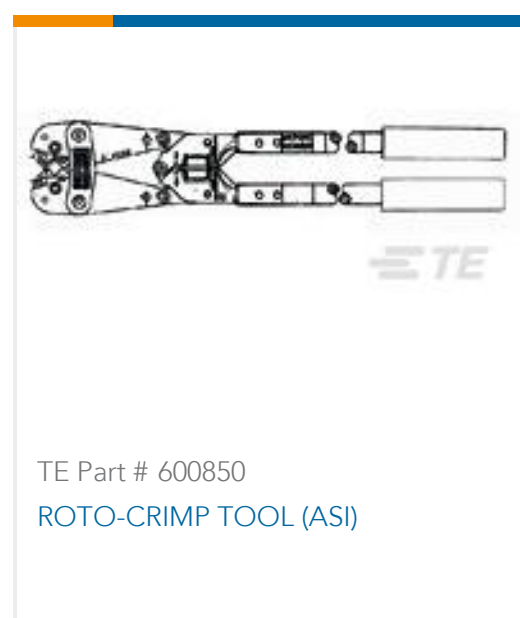
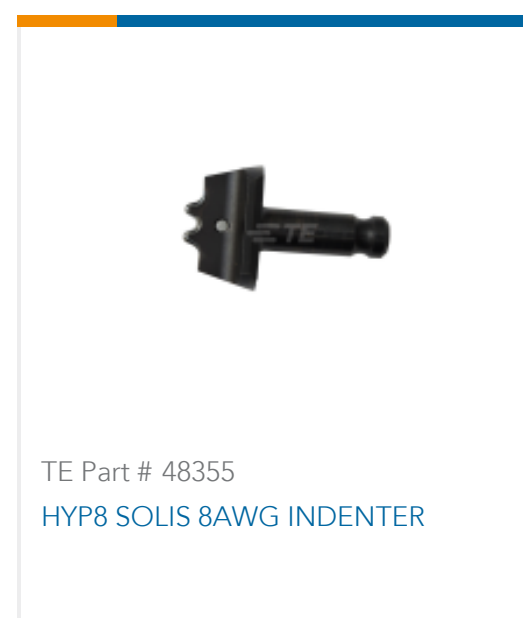
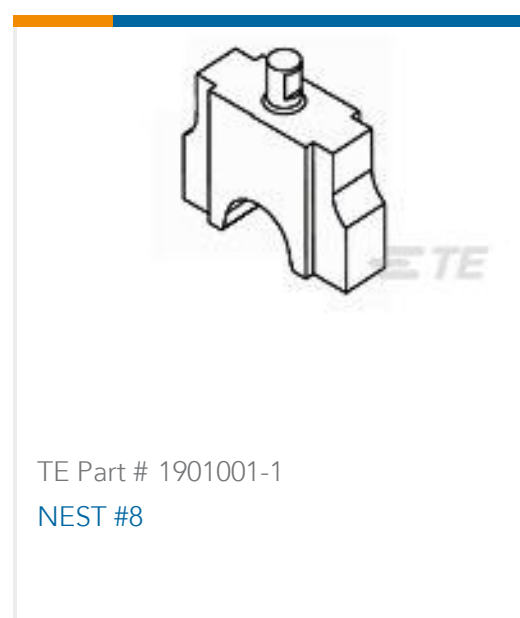
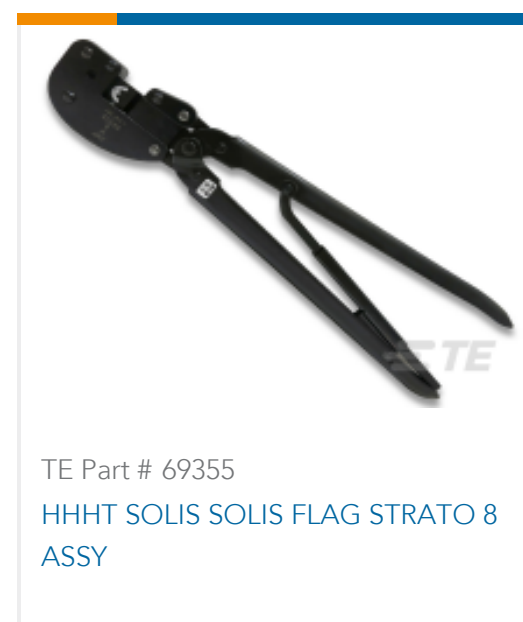
Halogen Content	Low Halogen - Br, Cl, F, I < 900 ppm per homogenous material. Also BFR/CFR/PVC Free
-----------------	---

Solder Process Capability	Not applicable for solder process capability
---------------------------	--

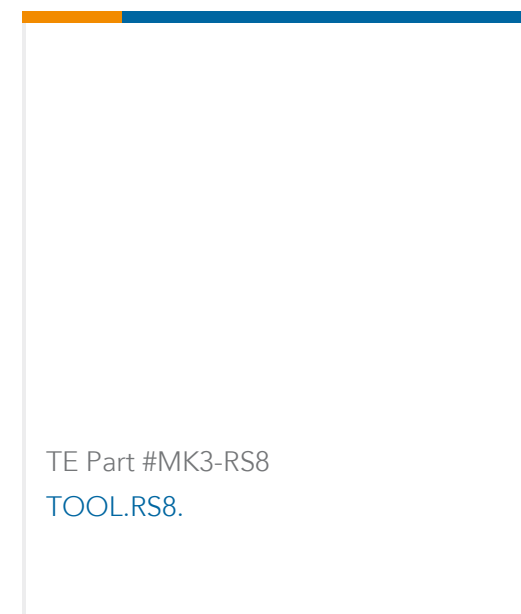
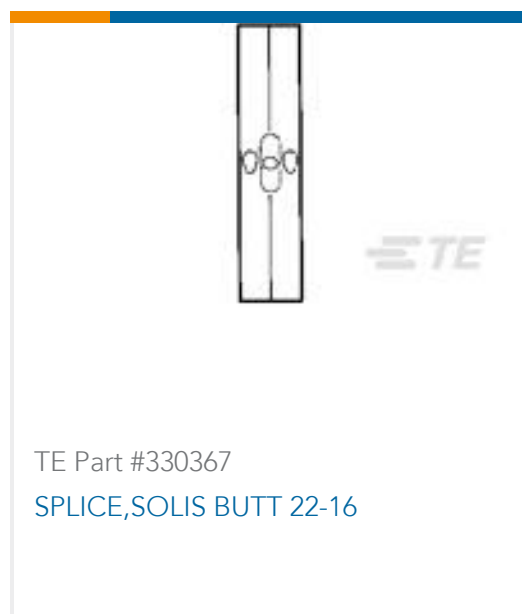
Product Compliance Disclaimer

This information is provided based on reasonable inquiry of our suppliers and represents our current actual knowledge based on the information they provided. This information is subject to change. The part numbers that TE has identified as EU RoHS compliant have a maximum concentration of 0.1% by weight in homogenous materials for lead, hexavalent chromium, mercury, PBB, PBDE, DBP, BBP, DEHP, DIBP, and 0.01% for cadmium, or qualify for an exemption to these limits as defined in the Annexes of Directive 2011/65/EU (RoHS2). Finished electrical and electronic equipment products will be CE marked as required by Directive 2011/65/EU. Components may not be CE marked. Additionally, the part numbers that TE has identified as EU ELV compliant have a maximum concentration of 0.1% by weight in homogenous materials for lead, hexavalent chromium, and mercury, and 0.01% for cadmium, or qualify for an exemption to these limits as defined in the Annexes of Directive 2000/53/EC (ELV). Regarding the REACH Regulation, the information TE provides on SVHC in articles for this part number is based on the latest European Chemicals Agency (ECHA) 'Guidance on requirements for substances in articles' posted at this URL: <https://echa.europa.eu/guidance-documents/guidance-on-reach>

Compatible Parts



Customers Also Bought



Documents

Product Drawings

SPLICE,SOLIS BUTT 8

English

CAD Files

3D PDF

3D

Customer View Model

[ENG_CVM_CVM_36906_H.2d_dxf.zip](#)

English

Customer View Model

[ENG_CVM_CVM_36906_H.3d_igs.zip](#)

English

Customer View Model

[ENG_CVM_CVM_36906_H.3d_stp.zip](#)

English

3D PDF

English

Customer View Model

[ENG_CVM_36906_E.3d_igs.zip](#)

English

Customer View Model

[ENG_CVM_36906_E.3d_stp.zip](#)

English

Customer View Model

[ENG_CVM_36906_E.2d_dxf.zip](#)

English

By downloading the CAD file I accept and agree to the [Terms and Conditions](#) of use.

Datasheets & Catalog Pages

SOLISTRAND - QRG

English

Product Environmental Compliance

MD_36906_080120181445_dmtec

English



[MD_36906_080120181445_dmtec](#)

English

Agency Approvals

UL Report

English

UL Report

English

UL Report

English