

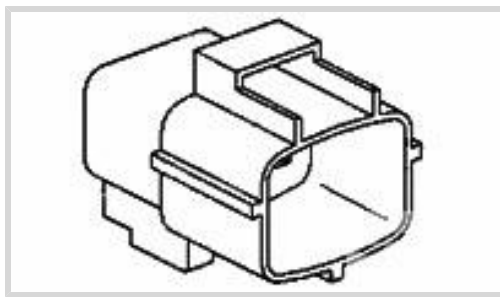
368301-1 ✓ ACTIVE

Econoseal J - Mark II

TE Internal #: 368301-1

TE Internal Description: E-S MK-2(+) 15P CAP HSG BLACK

[View on TE.com >](#)



Product Compliance

[For compliance documentation, visit the product page on TE.com>](#)

EU RoHS Directive 2011/65/EU	Compliant
EU ELV Directive 2000/53/EC	Compliant
China RoHS 2 Directive MIIT Order No 32, 2016	No Restricted Materials Above Threshold
EU REACH Regulation (EC) No. 1907/2006	Current ECHA Candidate List: JUNE 2023 (235) Candidate List Declared Against: JUNE 2023 (235) Does not contain REACH SVHC
Halogen Content	Low Halogen - Br, Cl, F, I < 900 ppm per homogenous material. Also BFR/CFR/PVC Free
Solder Process Capability	Not applicable for solder process capability

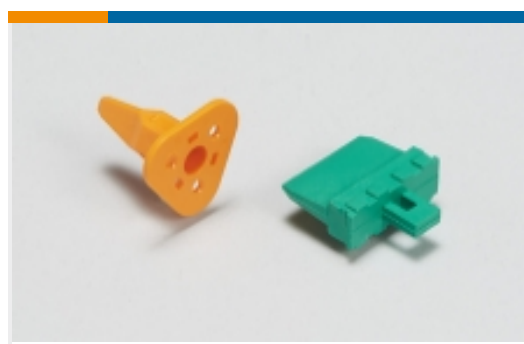
Product Compliance Disclaimer

This information is provided based on reasonable inquiry of our suppliers and represents our current actual knowledge based on the information they provided. This information is subject to change. The part numbers that TE has identified as EU RoHS compliant have a maximum concentration of 0.1% by weight in homogenous materials for lead, hexavalent chromium, mercury, PBB, PBDE, DBP, BBP, DEHP, DIBP, and 0.01% for cadmium, or qualify for an exemption to these limits as defined in the Annexes of Directive 2011/65/EU (RoHS2). Finished electrical and electronic equipment products will be CE marked as required by Directive 2011/65/EU. Components may not be CE marked. Additionally, the part numbers that TE has identified as EU ELV compliant have a maximum concentration of 0.1% by weight in homogenous materials for lead, hexavalent chromium, and mercury, and 0.01% for cadmium, or qualify for an exemption to these limits as defined in the Annexes of Directive 2000/53/EC (ELV). Regarding the REACH Regulation, the information TE provides on SVHC in articles for this part number is based on the latest European Chemicals Agency (ECHA) 'Guidance on requirements for substances in articles' posted at this URL: <https://echa.europa.eu/guidance-documents/guidance-on-reach>

Also in the Series | [Econoseal J - Mark II](#)



Automotive Connector Caps & Covers (1)



Automotive Connector Locks & Position Assurance(29)



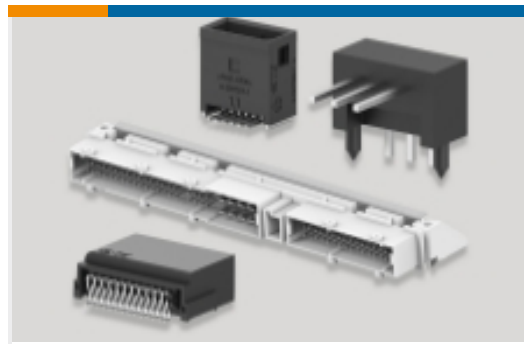
Automotive Housings(60)



Connector Seals & Cavity Plugs(10)



Other Automotive Connector Accessories(4)



PCB Headers & Receptacles(1)

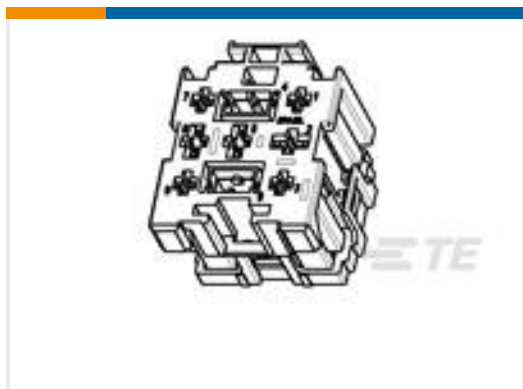
Customers Also Bought



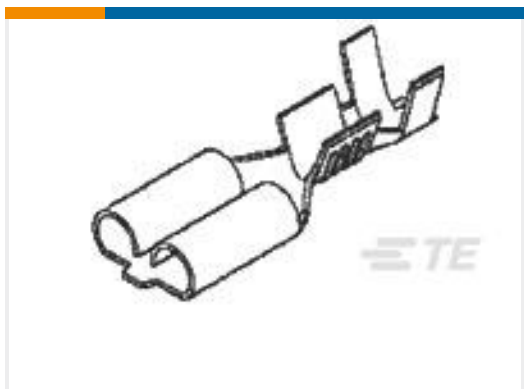
TE Part #1743636-2
HYB SLD 36P CAP HSG



TE Part #368049-1
E-J MK-II(+)-16P PLUG DBL



TE Part #444020-1
9P HSG ASS'Y JR/STD



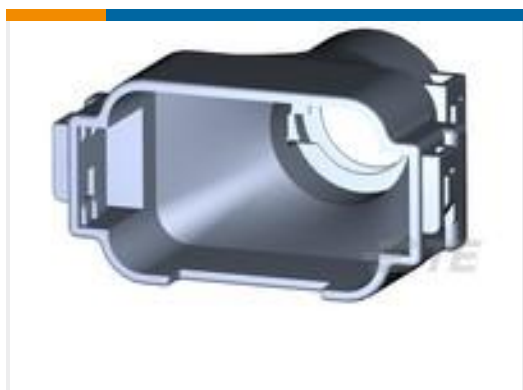
TE Part #171632-1
E-J MK-2 250 REC CONT



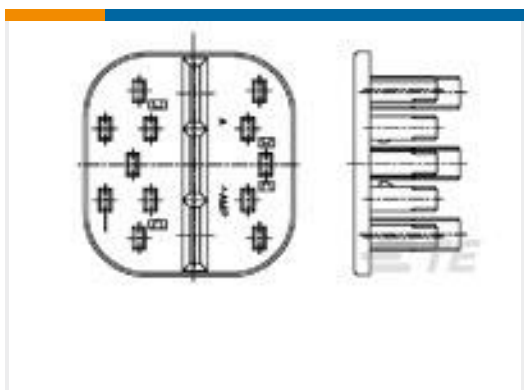
TE Part #2066042-1
12 POS.ECONOSEAL PLUG HSG ASSY JMARK II+



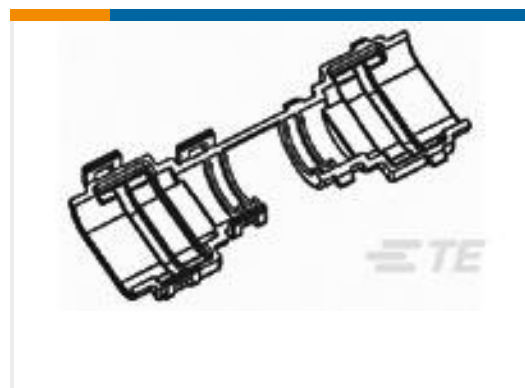
TE Part #444442-1
RELAY ADAPTOR 6POSN



TE Part #936782-2
MT-II/JPT SLD 20P PLUG COVER



TE Part #85223-1
E-J MK-II(+)-15P PLUG DBL



TE Part #936112-1
2.8mm Sealed 3P Cover



TE Part #1599962-2
MAXI FUSE BOX WITH JCASE ASSY

Documents



Product Drawings

E-S MK-2(+) 15P CAP HSG BLACK

English

CAD Files

Customer View Model

[ENG_CVM_CVM_368301-1_O.2d_dxf.zip](#)

English

3D PDF

3D

Customer View Model

[ENG_CVM_CVM_368301-1_O.3d_igs.zip](#)

English

Customer View Model

[ENG_CVM_CVM_368301-1_O.3d_stp.zip](#)

English

By downloading the CAD file I accept and agree to the [Terms and Conditions](#) of use.

Product Specifications

070 250 15P

English