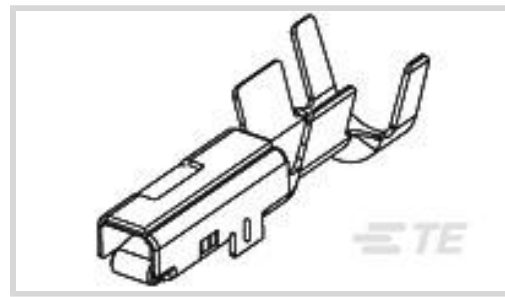




Terminals & Splices > Automotive Terminals



Terminal Type: **Receptacle**

Mating Tab Width: **2.3 mm [.09 in]**

Mating Tab Thickness: **.64 mm [.025 in]**

Terminal Transmits: **0 – 24 A (Low Power)**

Wire Size: **22 – 20 AWG**

Features

Product Type Features

Sealable	Yes
Primary Locking Feature	Clean Body

Body Features

Terminal Seal Type	Single Wire Seal (SWS)
--------------------	------------------------

Contact Features

Contact Size	2mm
Contact Fabrication	Stamped & Formed
Crimp Type	F-Crimp
Terminal Type	Receptacle
Mating Tab Width	2.3 mm [.09 in]
Mating Tab Thickness	.64 mm [.025 in]
Interface Plating	Tin (Sn)

Termination Features

Termination Method to Wire & Cable	Crimp
Product Terminates To	Wire & Cable

Dimensions

Wire Size	.3 – .5 mm ²
-----------	-------------------------

Usage Conditions

--	--



Insulation Option	Uninsulated
Operating Temperature (Max)	120 °C[257 °F]
Operating Temperature Range	-40 – 125 °C[-40 – 257 °F]

Packaging Features

Packaging Quantity	4000
Packaging Method	Reel

Other

Terminal Transmits	0 – 24 A (Low Power)
--------------------	----------------------

Product Compliance

[For compliance documentation, visit the product page on TE.com>](#)

EU RoHS Directive 2011/65/EU	Compliant
EU ELV Directive 2000/53/EC	Compliant
China RoHS 2 Directive MIIT Order No 32, 2016	No Restricted Materials Above Threshold
EU REACH Regulation (EC) No. 1907/2006	Current ECHA Candidate List: JUNE 2023 (235) Candidate List Declared Against: JUNE 2023 (235) Does not contain REACH SVHC
Halogen Content	Low Halogen - Br, Cl, F, I < 900 ppm per homogenous material. Also BFR/CFR/PVC Free
Solder Process Capability	Not applicable for solder process capability

Product Compliance Disclaimer

This information is provided based on reasonable inquiry of our suppliers and represents our current actual knowledge based on the information they provided. This information is subject to change. The part numbers that TE has identified as EU RoHS compliant have a maximum concentration of 0.1% by weight in homogenous materials for lead, hexavalent chromium, mercury, PBB, PBDE, DBP, BBP, DEHP, DIBP, and 0.01% for cadmium, or qualify for an exemption to these limits as defined in the Annexes of Directive 2011/65/EU (RoHS2). Finished electrical and electronic equipment products will be CE marked as required by Directive 2011/65/EU. Components may not be CE marked. Additionally, the part numbers that TE has identified as EU ELV compliant have a maximum concentration of 0.1% by weight in homogenous materials for lead, hexavalent chromium, and mercury, and 0.01% for cadmium, or qualify for an exemption to these limits as defined in the Annexes of Directive 2000/53/EC (ELV). Regarding the REACH Regulation, the information TE provides on SVHC in articles for this part number is based on the latest European Chemicals Agency (ECHA) 'Guidance on requirements for substances in articles' posted at this URL: <https://echa.europa.eu/guidance-documents/guidance-on-reach>

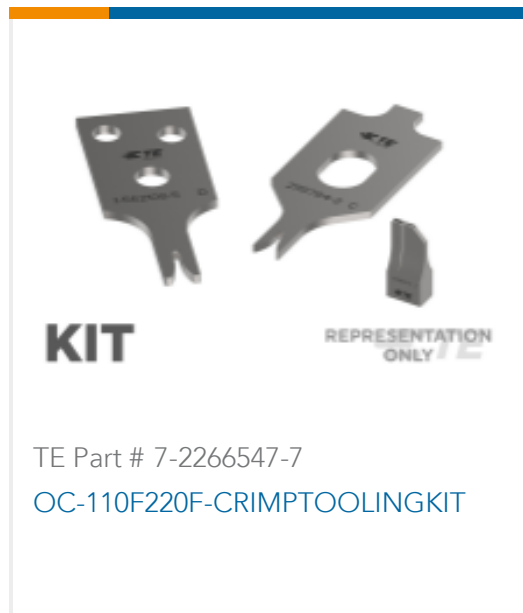
Compatible Parts



TE Part # 2-2266547-1
OC-PA-S-FM-070F154O-001-0031



TE Part # 2266547-1
OC-AT-S-FM-070F154O-001-0031



TE Part # 7-2266547-7
OC-110F220F-CRIMPTOOLINGKIT



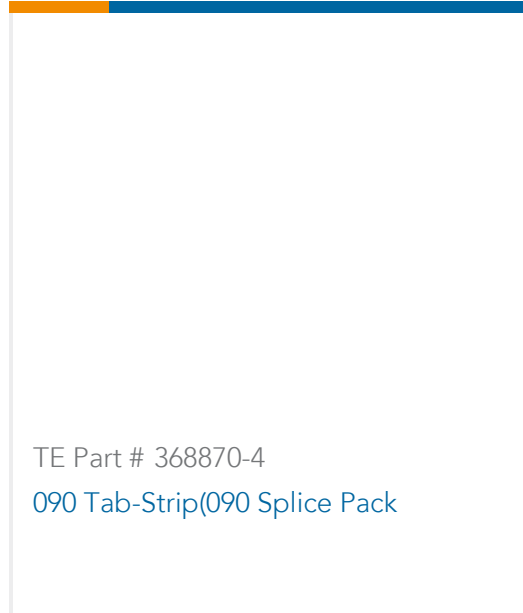
TE Part # 368870-1
090 Tab 3P(090 14P Splice Pack)



TE Part # 368870-2
090 Tab 4P(090 14P Splice Pack)

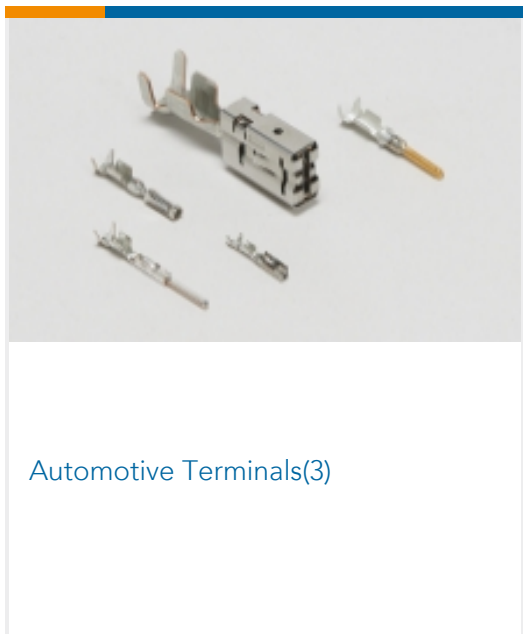


TE Part # 368870-3
090 Tab 7P(090 14P Splice Pack)

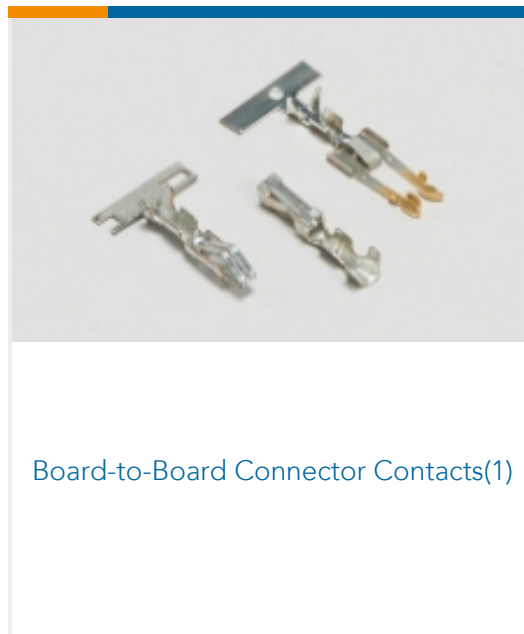


TE Part # 368870-4
090 Tab-Strip(090 Splice Pack)

Also in the Series | CGS RC



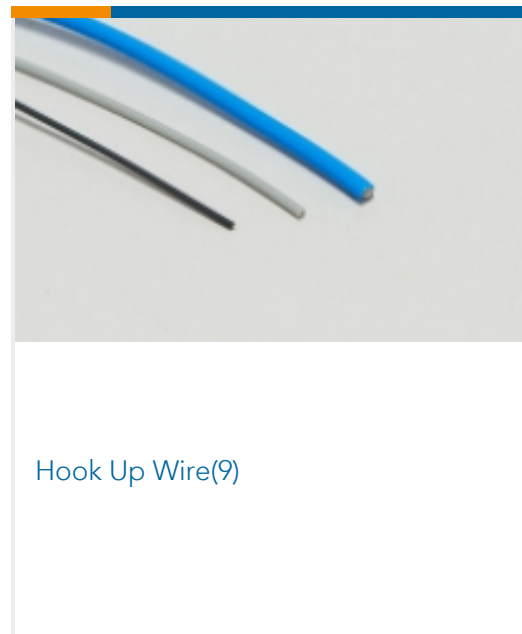
Automotive Terminals(3)



Board-to-Board Connector Contacts(1)



DC Jack Connectors(1)



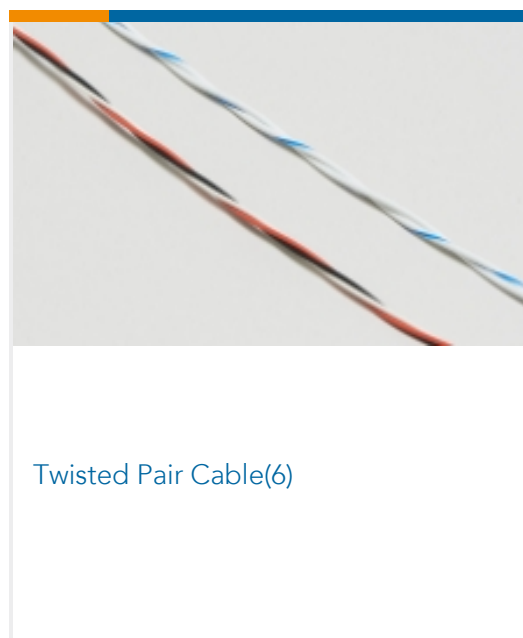
Hook Up Wire(9)



Probe Pads(4)

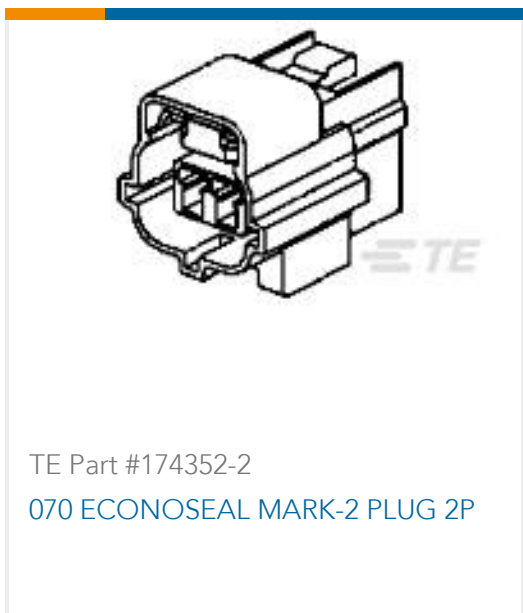


Rack & Panel Connectors(1)



Twisted Pair Cable(6)

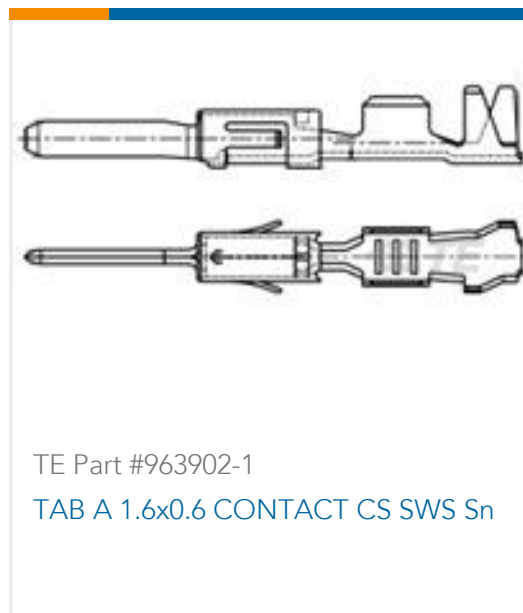
Customers Also Bought



TE Part #174352-2
070 ECONOSEAL MARK-2 PLUG 2P



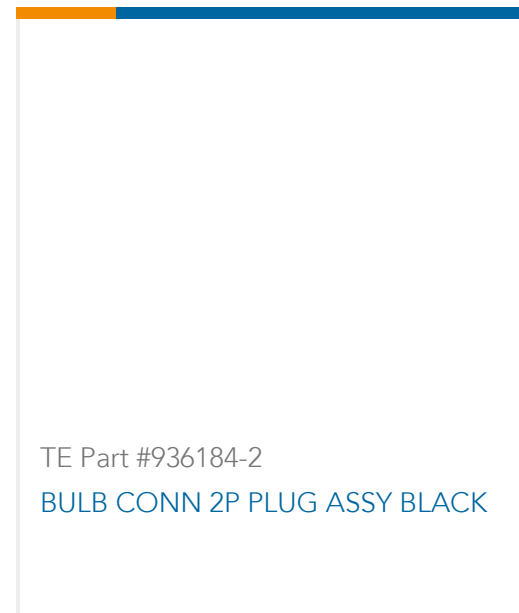
TE Part #1-968968-3
2,5MM BU-GEH ASSY2P



TE Part #963902-1
TAB A 1.6x0.6 CONTACT CS SWS Sn



TE Part #2-936195-1
MULTILOCK, CONNECTOR HOUSING



Documents

Product Drawings

[090 II SEALED REC](#)

English

CAD Files

Customer View Model

[ENG_CVM_368287-1_O.3d_igs.zip](#)

English

Customer View Model

[ENG_CVM_368287-1_O.3d_stp.zip](#)

English

Customer View Model

[ENG_CVM_368287-1_O.2d_dxf.zip](#)

English

[3D PDF](#)

English

By downloading the CAD file I accept and agree to the [Terms and Conditions](#) of use.

Product Specifications

[Application Specification](#)

English