

36810 ✓ ACTIVE

SOLISTRAND

TE Internal #: 36810

Closed Ring Tongue Terminal, 6 AWG, 3/4 Stud Size, 19.84 mm [.781 in] Stud Diameter, Closed Barrel, Straight, Tin, Uninsulated

[View on TE.com >](#)



Terminals & Splices > Ring Terminals



Ring Terminal Product Type: Closed Ring Tongue Terminal

Wire Size: 20800 – 33100 CMA

Stud Size: 3/4

Features

Product Type Features

Ring Terminal Product Type	Closed Ring Tongue Terminal
Stud Size	3/4
Sealable	No
Wire Insulation Support Retention Type	Non-Insulation Support

Configuration Features

Number of Holes	1
-----------------	---

Body Features

Product Weight	13.942 g
----------------	----------

Contact Features

Contact Base Material	Copper
Barrel Type	Closed
Terminal Orientation	Straight
Terminal Plating Material	Tin

Mechanical Attachment

Wire Insulation Support	Without
-------------------------	---------



Dimensions

Wire Size	20800 – 33100 CMA
Stud Diameter	19.84 mm[.781 in]
Tongue Thickness	1.45 mm[.06 in]
Product Length	51.64 mm[2.03 in]
Barrel Inside Diameter	5.89 mm[.232 in]

Usage Conditions

Insulation Option	Uninsulated
Operating Temperature Range	170 °C[338 °F]

Operation/Application

Compatible With Wire Base Material	Copper
Compatible With Wire Plating Material	Tin

Industry Standards

Government Qualified Terminal	No
-------------------------------	----

Packaging Features

Packaging Quantity	100
Packaging Method	Loose Piece

Product Compliance

[For compliance documentation, visit the product page on TE.com>](#)

EU RoHS Directive 2011/65/EU	Compliant
EU ELV Directive 2000/53/EC	Compliant
China RoHS 2 Directive MIIT Order No 32, 2016	No Restricted Materials Above Threshold
EU REACH Regulation (EC) No. 1907/2006	Current ECHA Candidate List: JUNE 2023 (235) Candidate List Declared Against: JUNE 2023 (235) Does not contain REACH SVHC
Halogen Content	Low Halogen - Br, Cl, F, I < 900 ppm per homogenous material. Also BFR/CFR/PVC Free
Solder Process Capability	Not applicable for solder process capability

Product Compliance Disclaimer

This information is provided based on reasonable inquiry of our suppliers and represents our current actual knowledge based on the information they provided. This information is subject to change. The part numbers that TE has identified as

EU RoHS compliant have a maximum concentration of 0.1% by weight in homogenous materials for lead, hexavalent chromium, mercury, PBB, PBDE, DBP, BBP, DEHP, DIBP, and 0.01% for cadmium, or qualify for an exemption to these limits as defined in the Annexes of Directive 2011/65/EU (RoHS2). Finished electrical and electronic equipment products will be CE marked as required by Directive 2011/65/EU. Components may not be CE marked. Additionally, the part numbers that TE has identified as EU ELV compliant have a maximum concentration of 0.1% by weight in homogenous materials for lead, hexavalent chromium, and mercury, and 0.01% for cadmium, or qualify for an exemption to these limits as defined in the Annexes of Directive 2000/53/EC (ELV). Regarding the REACH Regulation, the information TE provides on SVHC in articles for this part number is based on the latest European Chemicals Agency (ECHA) 'Guidance on requirements for substances in articles' posted at this URL: <https://echa.europa.eu/guidance-documents/guidance-on-reach>

Compatible Parts



TE Part # 1490414-2
HYP10 SOLIS HD 6-4AWG INDENTER



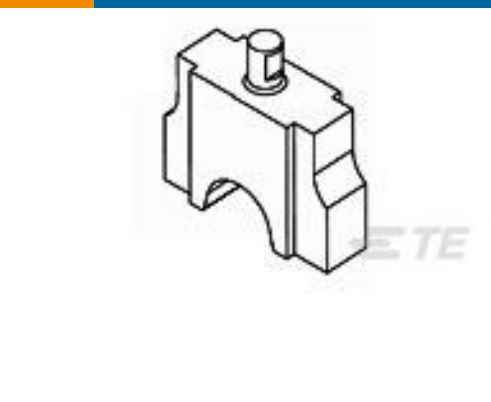
TE Part # 69217
HYP8/10 SOLIS 6AWG DIE SET




TE Part # 48127
HYP8 SOLIS 6-2AWG INDENTER



TE Part # 1490413-2
HYP10 SOLIS HD 8AWG NEST



TE Part # 1901000-1
NEST #6



TE Part # 1901002-1
INDENTER, SOLISTRAND



TE Part # 48128
HYP8 SOLIS 6AWG NEST



TE Part # 68136
PNEU HT SOLIS 6 ASSY


Customers Also Bought



TE Part #5787170-5
50 50SR R/A RCPT ASSY,RDSN L/F



TE Part #1-5747301-4
37 RCPT SP/FMS SCRLK



TE Part #DTHD06-1-4S-E003
DEUTSCH DTHD Housings




TE Part #324615
TERMINAL,PIDG R 12-10 5/8



TE Part #2204534-1
ELCON MINI 3P CABLE CONN,PULL-TAB



TE Part #1-1337473-0
UHF Str Plg PS Silver Pltd RG58C/U, 141A



TE Part #1-1478419-0
N Str Plg PS 50Ohm Silver Pltd RG58C /U,



TE Part #1SNA173226R2700
BJM62



Documents

Product Drawings

[TERMINAL,SOLIS R 6 3/4](#)

English

CAD Files

[3D PDF](#)

3D

Customer View Model

[ENG_CVM_CVM_36810_R.2d_dxf.zip](#)

English

Customer View Model

[ENG_CVM_CVM_36810_R.3d_igs.zip](#)

English

Customer View Model

[ENG_CVM_CVM_36810_R.3d_stp.zip](#)

English

By downloading the CAD file I accept and agree to the [Terms and Conditions](#) of use.

Agency Approvals

[UL Report](#)

English

[UL Report](#)

English

[UL Report](#)

English