



[Positive Lock](#) | [Positive Lock 250](#)

TE Internal #: 368037-2

Quick Disconnects, Receptacle, 22 – 20 AWG Wire Size, .32 – .51 mm<sup>2</sup> Wire Size, Straight, Phosphor Bronze, Pre-Tin Plating, Reel, Positive Lock 250

[View on TE.com >](#)

Terminals & Splices > Quick Disconnects



Quick Disconnect Terminal Type: **Receptacle**

Wire Size: **.32 – .51 mm<sup>2</sup>**

Terminal Orientation: **Straight**

Contact Base Material: **Phosphor Bronze**

**Features**

**Contact Features**

Quick Disconnect Terminal Type	Receptacle
Terminal Orientation	Straight
Contact Base Material	Phosphor Bronze
Terminal Plating Material	Pre-Tin
Crimp Type	Tab-Lok
Barrel Type	Open

**Termination Features**

Product Terminates To	Wire & Cable
-----------------------	--------------

**Mechanical Attachment**

Wire Insulation Support	With
-------------------------	------

**Dimensions**

Terminal Material Thickness	.41 mm[.016 in]
Compatible Insulation Diameter Range	1.5 – 2.4 mm[.06 – .094 in]
Wire Size	.32 – .51 mm <sup>2</sup>



### Usage Conditions

Insulation Option	Uninsulated
-------------------	-------------

### Packaging Features

Packaging Quantity	5000
Packaging Method	Reel

### Other

Line	AMP POSITIVE LOCK
------	-------------------

### Product Compliance

[For compliance documentation, visit the product page on TE.com>](#)

EU RoHS Directive 2011/65/EU	Compliant
EU ELV Directive 2000/53/EC	Compliant
China RoHS 2 Directive MIIT Order No 32, 2016	No Restricted Materials Above Threshold
EU REACH Regulation (EC) No. 1907/2006	Current ECHA Candidate List: JUNE 2023 (235) Candidate List Declared Against: JUNE 2023 (235) Does not contain REACH SVHC
Halogen Content	Low Halogen - Br, Cl, F, I < 900 ppm per homogenous material. Also BFR/CFR/PVC Free
Solder Process Capability	Not applicable for solder process capability

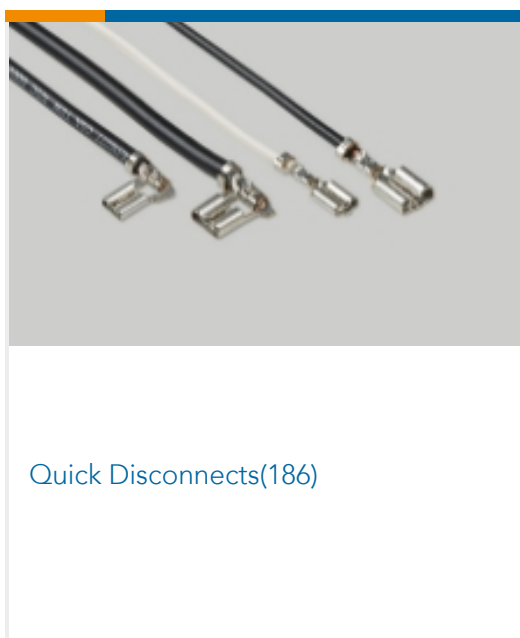
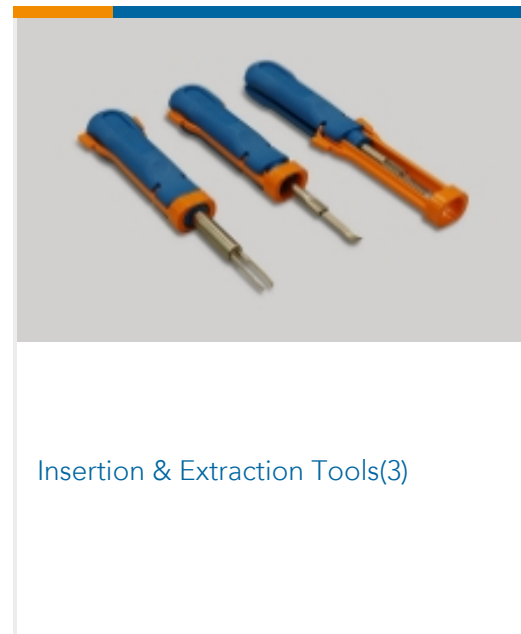
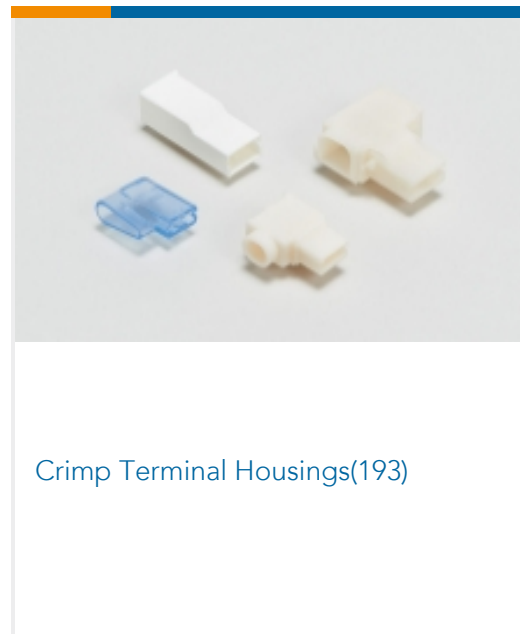
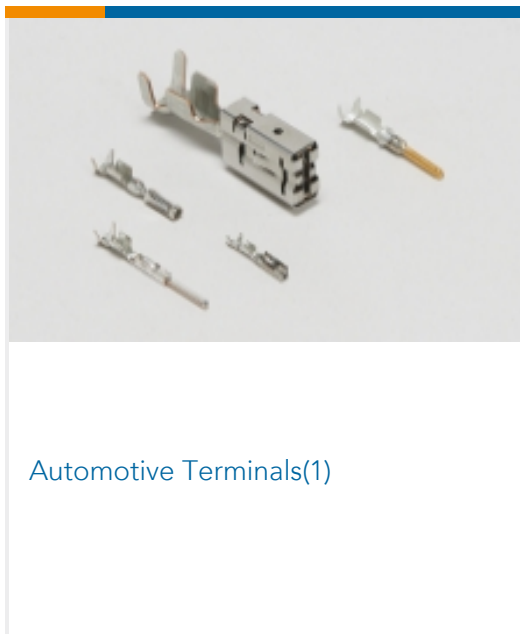
#### Product Compliance Disclaimer

This information is provided based on reasonable inquiry of our suppliers and represents our current actual knowledge based on the information they provided. This information is subject to change. The part numbers that TE has identified as EU RoHS compliant have a maximum concentration of 0.1% by weight in homogenous materials for lead, hexavalent chromium, mercury, PBB, PBDE, DBP, BBP, DEHP, DIBP, and 0.01% for cadmium, or qualify for an exemption to these limits as defined in the Annexes of Directive 2011/65/EU (RoHS2). Finished electrical and electronic equipment products will be CE marked as required by Directive 2011/65/EU. Components may not be CE marked. Additionally, the part numbers that TE has identified as EU ELV compliant have a maximum concentration of 0.1% by weight in homogenous materials for lead, hexavalent chromium, and mercury, and 0.01% for cadmium, or qualify for an exemption to these limits as defined in the Annexes of Directive 2000/53/EC (ELV). Regarding the REACH Regulation, the information TE provides on SVHC in articles for this part number is based on the latest European Chemicals Agency (ECHA) 'Guidance on requirements for substances in articles' posted at this URL: <https://echa.europa.eu/guidance-documents/guidance-on-reach>

### Compatible Parts

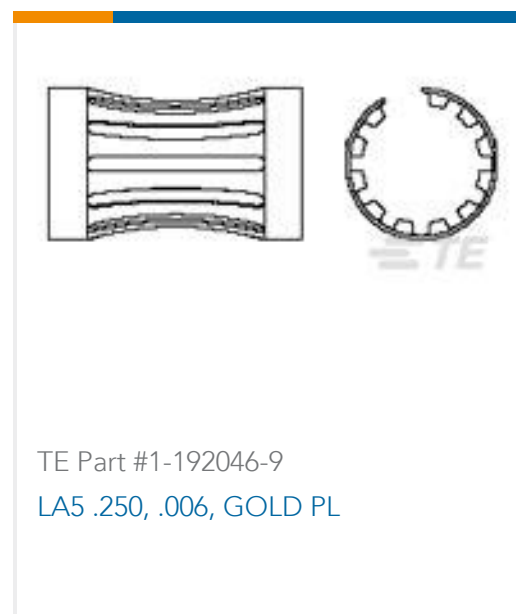


Also in the Series | Positive Lock 250



Customers Also Bought





## Documents

### Product Drawings

[PL 250 REC 0.30-0.56MM2 0.40X21.0PRE-TIN](#)

English

### CAD Files

Customer View Model

[ENG\\_CVM\\_CVM\\_368037-2\\_E.2d\\_dxf.zip](#)

English

3D PDF

3D

Customer View Model

[ENG\\_CVM\\_CVM\\_368037-2\\_E.3d\\_igs.zip](#)

English

Customer View Model

[ENG\\_CVM\\_CVM\\_368037-2\\_E.3d\\_stp.zip](#)

English

By downloading the CAD file I accept and agree to the [Terms and Conditions](#) of use.

### Product Specifications

[Crimping of 250 Series, Automotive Positive Lock Receptacle Contact](#)

English

[Application Specification](#)

English