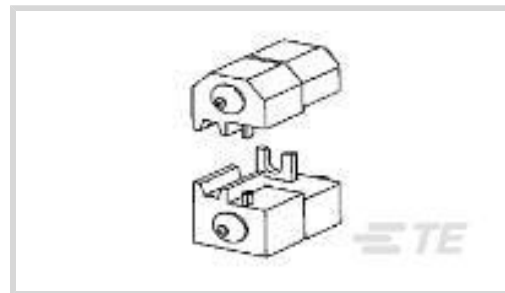




Application Tooling > Hand Crimping Tools



Specification Type: **TE Product Specification (114-)**

TE Certification: **Yes – Certificate Included**

Tooling Type: **Die Assembly**

Features

Other

Crimp Form-Wire Barrel Type	Open Barrel - F Crimp
Specification Type	TE Product Specification (114-)
TE Certification	Yes – Certificate Included
Tooling Type	Die Assembly

Product Compliance

[For compliance documentation, visit the product page on TE.com>](#)

EU RoHS Directive 2011/65/EU	Out of Scope
EU ELV Directive 2000/53/EC	Out of Scope
China RoHS 2 Directive MIIT Order No 32, 2016	Not reviewed for China RoHS compliance
EU REACH Regulation (EC) No. 1907/2006	Current ECHA Candidate List: JUNE 2023 (235) Candidate List Declared Against: JAN 2021 (211) Does not contain REACH SVHC
Halogen Content	Not Yet Reviewed for halogen content
Solder Process Capability	Not applicable for solder process capability

Product Compliance Disclaimer

This information is provided based on reasonable inquiry of our suppliers and represents our current actual knowledge based on the information they provided. This information is subject to change. The part numbers that TE has identified as EU RoHS compliant have a maximum concentration of 0.1% by weight in homogenous materials for lead, hexavalent chromium, mercury, PBB, PBDE, DBP, BBP, DEHP, DIBP, and 0.01% for cadmium, or qualify for an exemption to these limits as defined in the Annexes of Directive 2011/65/EU (RoHS2). Finished electrical and electronic equipment products will be CE marked as required by Directive 2011/65/EU. Components may not be CE marked. Additionally, the part numbers that TE has identified as EU ELV compliant have a maximum concentration of 0.1% by weight in homogenous materials for lead, hexavalent chromium, and mercury, and 0.01% for cadmium, or qualify for an exemption to these limits as defined in the Annexes of Directive 2000/53/EC (ELV). Regarding the REACH Regulation, the information TE provides

on SVHC in articles for this part number is based on the latest European Chemicals Agency (ECHA) 'Guidance on requirements for substances in articles' posted at this URL: <https://echa.europa.eu/guidance-documents/guidance-on-reach>

Compatible Parts



TE Part # CAT-AM71-C83998U
Environmentally Sealed Circular Connector, CPC Series 5



TE Part # CAT-AM71-C83998K
Circular Connector, Environmentally Sealed, CPC Series 6



TE Part # CAT-AM71-A17
POWERBAND Contacts



TE Part # 213906-1
CPC PLUG ASSY, SRS 6, SZ 17-10



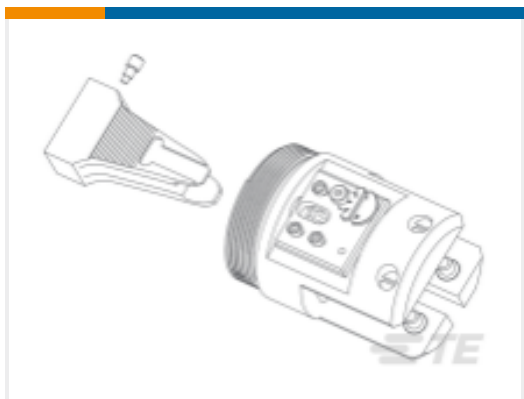
TE Part # 69710-1
C-HEAD FRAME W/O DIES



TE Part # 213899-1
CPC SEAL ASSY KIT, SRS 5, 17-3



TE Part # 213900-1
CPC SEAL ASSY KIT, SRS 6, 17-10

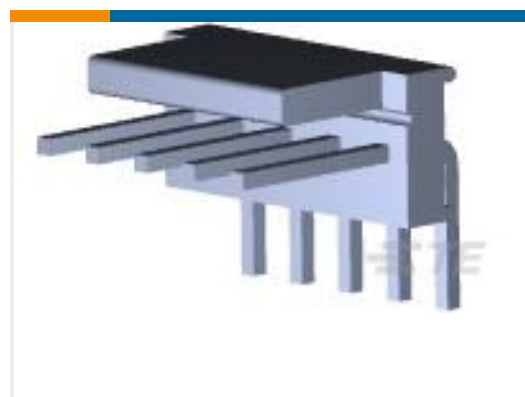


TE Part # 356304-1
TOOL HOLDER ASSY, STRHT ACTION

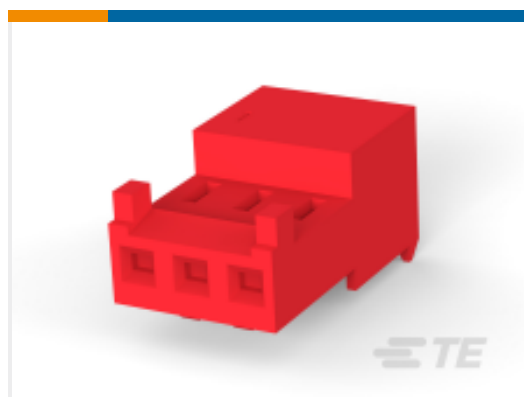


TE Part # 197889-1
ANVIL HOLDER

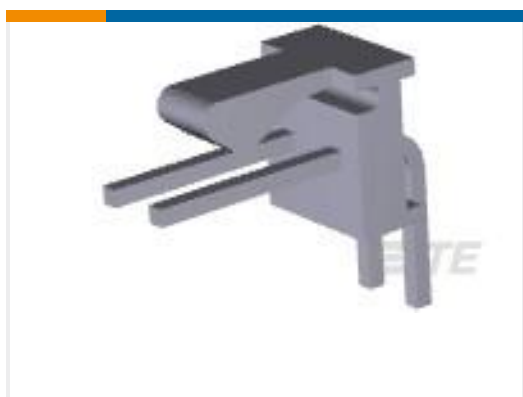
Customers Also Bought



TE Part #640455-5
05P MTA100 HDR ASSY SQ R/A POL



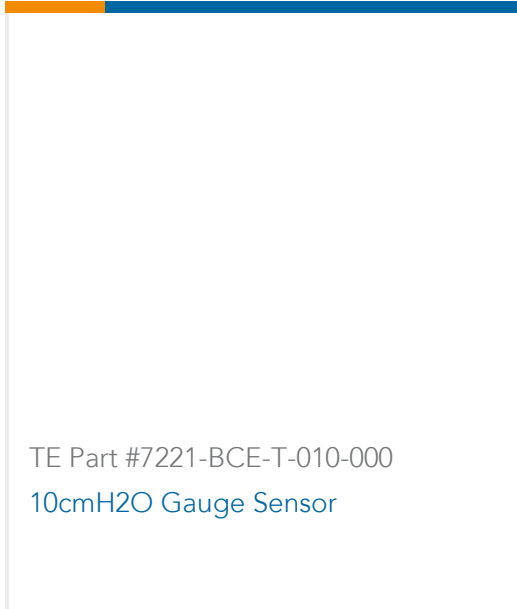
TE Part #3-643813-6
Nylon Tin Plated Receptacle: 2.54 mm, with Mating Alignment, MTA 100



TE Part #640457-2
02P MTA100 HDR ASSY SQ R/A F/L



TE Part #650076-000
D-436-38



Documents

Datasheets & Catalog Pages

[AMP Circular Connectors for Commercial Signal & Power Applications](#)

English

[Power Contacts](#)

English

[Bottoming Dies](#)

English

Instruction Sheets

[Instruction Sheet \(U.S.\)](#)

English

[Crimping Die Assemblies 356611-1, 356611-2, and 356612-1 for POWERBAND Contacts](#)

English