

TE Internal #: 35653

Splices, Closed End Splice, 22 – 10 AWG Wire Size, .3 – 6 mm<sup>2</sup> Wire Size, Serrated, 3.248 – 13.1 kcmil Wire Size, 3248 – 13100 CMA Wire Size, Copper

[View on TE.com >](#)



Terminals & Splices > Splices



Wire Size: .3 – 6 mm<sup>2</sup>

Sealable: No

Splice Features: **Serrated**

Compatible Insulation Diameter Range: 9.53 mm [ .375 in ]

## Features

### Product Type Features

Splice Accessory Type	Splice
Sealable	No
Splice Type	Closed End Splice
Compatible With Discrete Wire Type	Solid, Stranded
Wire Insulation Support Retention Type	Insulation Support

### Configuration Features

Compatible With Wire & Cable Type	Discrete Wire
-----------------------------------	---------------

### Body Features

Product Weight	1.665 g
Splice Features	Serrated

### Contact Features

Terminal Plating Material	Tin
Contact Base Material	Copper
Barrel Type	Closed

### Mechanical Attachment



Wire Insulation Support	With
-------------------------	------

### Dimensions

Wire Size	3248 – 13100 CMA
Compatible Insulation Diameter Range	9.53 mm[.375 in]
Terminal Material Thickness	.55 mm[.022 in]
Product Length	19.69 mm[.775 in]

### Usage Conditions

Insulation Option	Fully Insulated
Operating Temperature Range	105 °C[221 °F]

### Operation/Application

Compatible With Wire Base Material	Copper
------------------------------------	--------

### Identification Marking

Splice Marking	ECN
----------------	-----

### Industry Standards

Government Qualified Splice	No
-----------------------------	----

### Packaging Features

Packaging Quantity	1000
Packaging Method	Loose Piece

### Other

Terminals & Splices Comment	ECN-300V, 105°C.
-----------------------------	------------------

### Product Compliance

[For compliance documentation, visit the product page on TE.com>](#)

EU RoHS Directive 2011/65/EU	Compliant
EU ELV Directive 2000/53/EC	Compliant
China RoHS 2 Directive MIIT Order No 32, 2016	No Restricted Materials Above Threshold
EU REACH Regulation (EC) No. 1907/2006	Current ECHA Candidate List: JUNE 2023 (235) Candidate List Declared Against: JUNE 2023 (235) Does not contain REACH SVHC
Halogen Content	Low Halogen - Br, Cl, F, I < 900 ppm per homogenous material. Also BFR/CFR/PVC Free



Solder Process Capability

Not applicable for solder process capability

Product Compliance Disclaimer

This information is provided based on reasonable inquiry of our suppliers and represents our current actual knowledge based on the information they provided. This information is subject to change. The part numbers that TE has identified as EU RoHS compliant have a maximum concentration of 0.1% by weight in homogenous materials for lead, hexavalent chromium, mercury, PBB, PBDE, DBP, BBP, DEHP, DIBP, and 0.01% for cadmium, or qualify for an exemption to these limits as defined in the Annexes of Directive 2011/65/EU (RoHS2). Finished electrical and electronic equipment products will be CE marked as required by Directive 2011/65/EU. Components may not be CE marked. Additionally, the part numbers that TE has identified as EU ELV compliant have a maximum concentration of 0.1% by weight in homogenous materials for lead, hexavalent chromium, and mercury, and 0.01% for cadmium, or qualify for an exemption to these limits as defined in the Annexes of Directive 2000/53/EC (ELV). Regarding the REACH Regulation, the information TE provides on SVHC in articles for this part number is based on the latest European Chemicals Agency (ECHA) 'Guidance on requirements for substances in articles' posted at this URL: <https://echa.europa.eu/guidance-documents/guidance-on-reach>

### Compatible Parts



TE Part # 217212-1  
PRO-CR ASSY, CES



TE Part # 217212-2  
PRO-CR DIE, CES



TE Part # 45219-2  
DAHT AMP CLOSED END SPLICES 22-10 ASSY



TE Part # 48208  
DAHT CLOSED END SPLICES 22-10 ASSY

### Customers Also Bought



TE Part #3-643816-7  
07P MTA100 CONN ASSY POL RIB



TE Part #6609047-3  
15VT1=F7334 S0



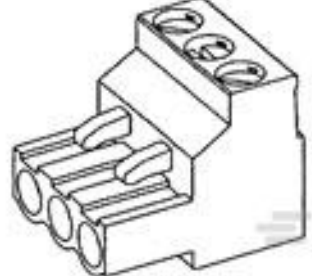
TE Part #6609020-5  
3EB1=F7102 S0



TE Part #1-640250-7  
17P SL156 HSG W/LCK RAMP NATL



TE Part #293650-4  
NECTOR S T-SPLITTER STANDARD



TE Part #796641-7  
7 POS 5.0 MM R/A PLUG,TRM BLK



TE Part #60419-2  
250 FASTON FLAG REC 18-14 AWG TPBR



TE Part #1-690459-0  
SHEAR HOLDER FRONT



## Documents

### Product Drawings

[SPLICE,N CE 22-10](#)

English

### CAD Files

Customer View Model

[ENG\\_CVM\\_CVM\\_35653\\_AA.2d\\_dxf.zip](#)

English

[3D PDF](#)

3D

Customer View Model

[ENG\\_CVM\\_CVM\\_35653\\_AA.3d\\_igs.zip](#)

English

Customer View Model

[ENG\\_CVM\\_CVM\\_35653\\_AA.3d\\_stp.zip](#)

English

By downloading the CAD file I accept and agree to the [Terms and Conditions](#) of use.

### Product Specifications

[Application Specification](#)

English

### Product Environmental Compliance

[MD\\_35653\\_04142014737\\_dmtec](#)

English

[MD\\_35653\\_04142014737\\_dmtec](#)

English

### Instruction Sheets

[Instruction Sheet \(U.S.\)](#)

English

### Agency Approvals

[Agency Approval Document](#)

English