

35625 ✓ ACTIVE

SOLISTRAND

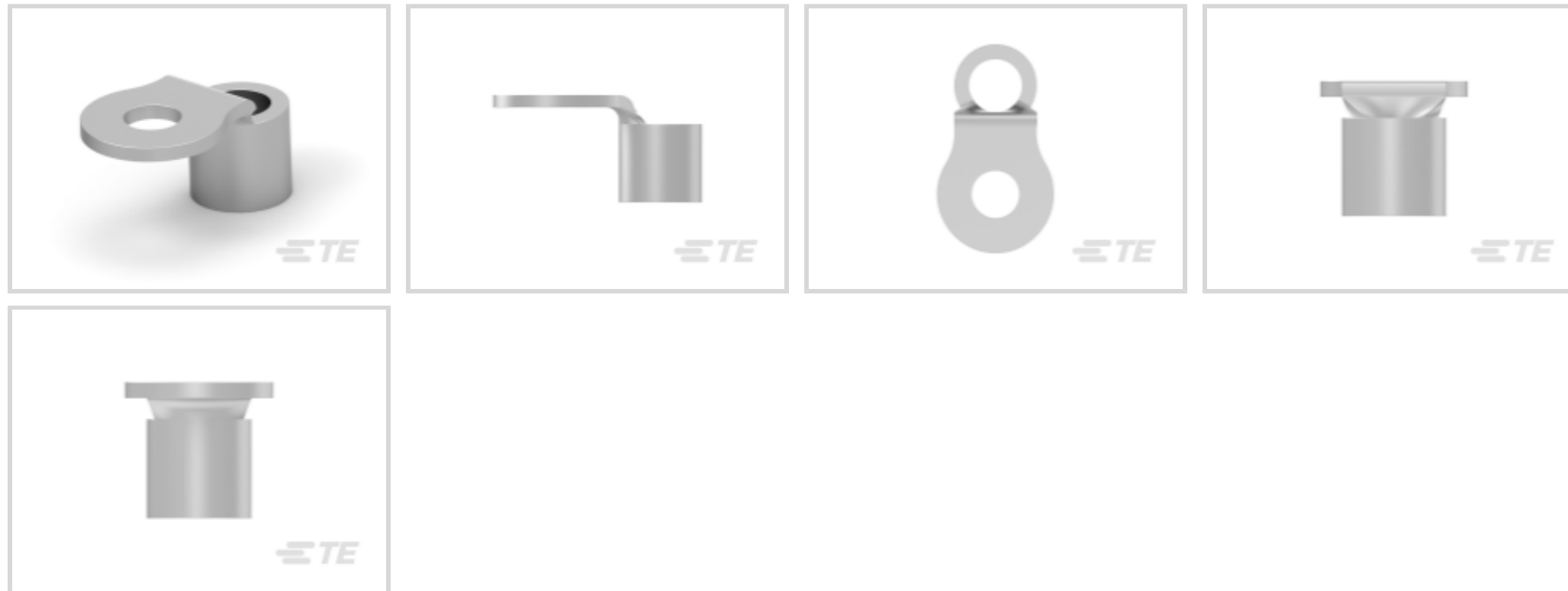
TE Internal #: 35625

Closed Ring Tongue Terminal, 4 AWG, 1/4 / M6 Stud Size, 6.73 mm [.265 in] Stud Diameter, Closed Barrel, Right Angle, Tin, Uninsulated

[View on TE.com >](#)



Terminals & Splices > Ring Terminals



Ring Terminal Product Type: Closed Ring Tongue Terminal

Wire Size: 33100 – 52600 CMA

Stud Size: 1/4, M6

Features

Product Type Features

Ring Terminal Product Type	Closed Ring Tongue Terminal
Stud Size	1/4, M6
Sealable	No
Wire Insulation Support Retention Type	Non-Insulation Support

Configuration Features

Number of Holes	1
-----------------	---

Body Features

Product Weight	9.21 g
----------------	--------

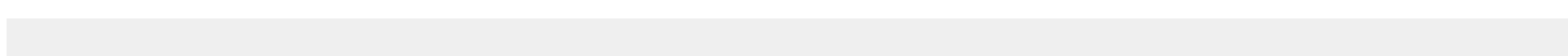
Contact Features

Barrel Type	Closed
Terminal Orientation	Right Angle
Terminal Plating Material	Tin

Mechanical Attachment

Wire Insulation Support	Without
-------------------------	---------

Dimensions



Wire Size	33100 – 52600 CMA
Stud Diameter	6.73 mm[.265 in]
Tongue Thickness	1.78 mm[.07 in]
Barrel Inside Diameter	7.52 mm[.296 in]

Usage Conditions

Insulation Option	Uninsulated
Operating Temperature Range	170 °C[338 °F]

Operation/Application

Compatible With Wire Base Material	Copper
Compatible With Wire Plating Material	Tin

Industry Standards

Government Qualified Terminal	No
-------------------------------	----

Packaging Features

Packaging Quantity	100
Packaging Method	Loose Piece

Product Compliance

[For compliance documentation, visit the product page on TE.com>](#)

EU RoHS Directive 2011/65/EU	Compliant
EU ELV Directive 2000/53/EC	Compliant
China RoHS 2 Directive MIIT Order No 32, 2016	No Restricted Materials Above Threshold
EU REACH Regulation (EC) No. 1907/2006	Current ECHA Candidate List: JUNE 2023 (235) Candidate List Declared Against: JUNE 2023 (235) Does not contain REACH SVHC
Halogen Content	Low Halogen - Br, Cl, F, I < 900 ppm per homogenous material. Also BFR/CFR/PVC Free
Solder Process Capability	Not applicable for solder process capability

Product Compliance Disclaimer

This information is provided based on reasonable inquiry of our suppliers and represents our current actual knowledge based on the information they provided. This information is subject to change. The part numbers that TE has identified as EU RoHS compliant have a maximum concentration of 0.1% by weight in homogenous materials for lead, hexavalent chromium, mercury, PBB, PBDE, DBP, BBP, DEHP, DIBP, and 0.01% for cadmium, or qualify for an exemption to these limits as defined in the Annexes of Directive 2011/65/EU (RoHS2). Finished electrical and electronic equipment products will be CE marked as required by Directive 2011/65/EU. Components may not be CE marked. Additionally, the part

numbers that TE has identified as EU ELV compliant have a maximum concentration of 0.1% by weight in homogenous materials for lead, hexavalent chromium, and mercury, and 0.01% for cadmium, or qualify for an exemption to these limits as defined in the Annexes of Directive 2000/53/EC (ELV). Regarding the REACH Regulation, the information TE provides on SVHC in articles for this part number is based on the latest European Chemicals Agency (ECHA) 'Guidance on requirements for substances in articles' posted at this URL: <https://echa.europa.eu/guidance-documents/guidance-on-reach>

Compatible Parts



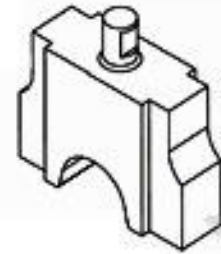
TE Part # 1490413-3
HYP10 SOLIS 4AWG NEST



TE Part # 1490414-2
HYP10 SOLIS HD 6-4AWG INDENTER



TE Part # 1-1490413-6
NEST, 90 DEG SOLISTRAND, 4



TE Part # 1901000-2
NEST #4

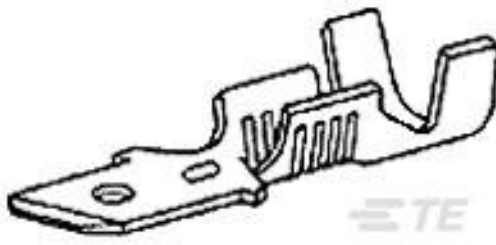
Customers Also Bought



TE Part #2-35364-1
PIDG 12-10 R 10; TAPE



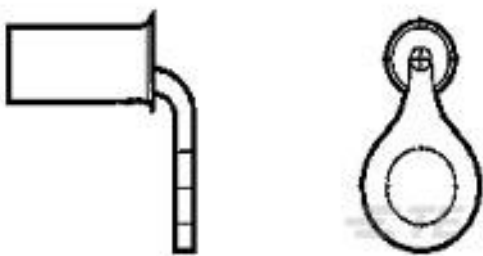
TE Part #323171
TERMINAL,SOLIS R HR 6 5/16



TE Part #61687-2
187 FASTON TAB 18-14 AWG TPBR



TE Part #1445960-1
MTG WING,15/30/45A PWR PROD



TE Part #54748-1
TERMINAL R 90 DEG PG 4 1/4




TE Part #1-2176406-5
3560 3R9 1%



TE Part #33114
TERMINAL,SOLIS R 4 10



TE Part #33466
TERMINAL,SOLIS R 6 5/16



TE Part #323173
STRATO-THERM, HR 4 1/4 NIPL



TE Part #170823-3
250 FASTON SLEEVE,REC., TRANSPARENT

Documents

[Product Drawings](#)



TERMINAL,SOLIS R 90DEG 4 1/4

English

CAD Files

Customer View Model

[ENG_CVM_CVM_35625_L.2d_dxf.zip](#)

English

3D PDF

3D

Customer View Model

[ENG_CVM_CVM_35625_L.3d_igs.zip](#)

English

Customer View Model

[ENG_CVM_CVM_35625_L.3d_stp.zip](#)

English

By downloading the CAD file I accept and agree to the [Terms and Conditions](#) of use.

Product Environmental Compliance

Product Compliance

English

Product Compliance

English

Agency Approvals

UL Report

English

UL Report

English

UL Report

English