

35364 ✓ ACTIVE



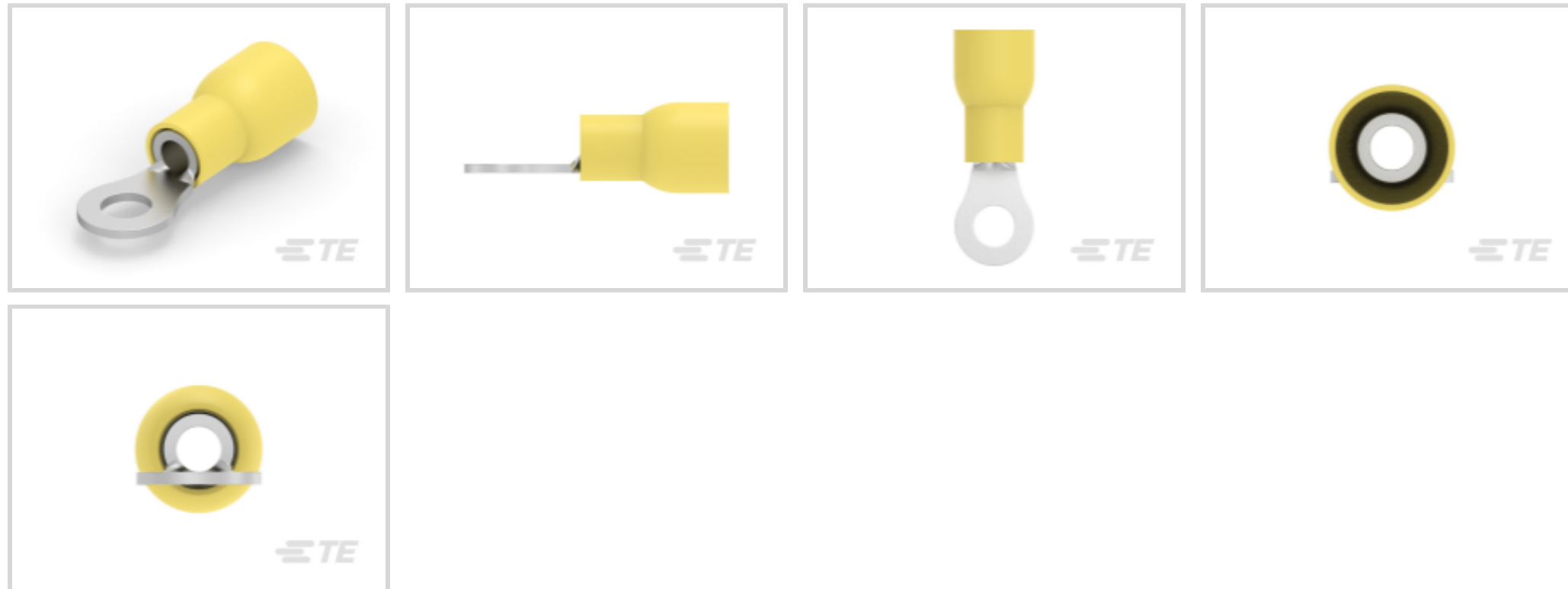
PIDG

TE Internal #: 35364

Closed Ring Tongue Terminal, 12 – 10 AWG, #10 Stud Size, 5 mm [.197 in] Stud Diameter, Closed Barrel, Straight, Tin, Partially Insulated, PIDG

[View on TE.com >](#)

Terminals & Splices > Ring Terminals > PIDG Ring Tongue Terminals



Ring Terminal Product Type: Closed Ring Tongue Terminal

Wire Size: 5180 – 13100 CMA

Stud Size: #10

[All PIDG Ring Tongue Terminals \(414\)](#)

### Features

#### Product Type Features

Ring Terminal Product Type	Closed Ring Tongue Terminal
Stud Size	#10
Sealable	No
Wire Insulation Support Retention Type	Insulation Support

#### Configuration Features

Number of Holes	1
-----------------	---

#### Electrical Characteristics

Voltage Rating	300 V
----------------	-------

#### Body Features

Product Weight	2.57 g
----------------	--------

#### Contact Features

Barrel Type	Closed
Terminal Orientation	Straight

Terminal Plating Material	Tin
---------------------------	-----

### Mechanical Attachment

Wire Insulation Support	With
-------------------------	------

### Dimensions

Wire Size	5180 – 13100 CMA
Stud Diameter	5 mm [.197 in]
Tongue Thickness	1.07 mm [.042 in]
Product Length	29.77 mm [1.17 in]
Compatible Insulation Diameter (Max)	7.62 mm [.3 in]
Compatible Insulation Diameter Range	4.32 – 7.62 mm [.17 – .3 in]

### Usage Conditions

Insulation Option	Partially Insulated
Operating Temperature Range	105 °C [221 °F]

### Operation/Application

Compatible With Wire Base Material	Copper
Compatible With Wire Plating Material	Tin

### Industry Standards

Government Qualified Terminal	No
-------------------------------	----

### Packaging Features

Packaging Quantity	500
Packaging Method	Loose Piece

### Other

Terminals & Splices Comment	Oversize expansions provided in insulation only.
-----------------------------	--

### Product Compliance

[For compliance documentation, visit the product page on TE.com>](#)

EU RoHS Directive 2011/65/EU	Compliant
EU ELV Directive 2000/53/EC	Compliant
China RoHS 2 Directive MIIT Order No 32, 2016	No Restricted Materials Above Threshold
EU REACH Regulation (EC) No. 1907/2006	Current ECHA Candidate List: JUNE 2023 (235)



Candidate List Declared Against: JUNE 2023 (235)  
Does not contain REACH SVHC

Halogen Content	Not Low Halogen - contains Br or Cl > 900 ppm.
Solder Process Capability	Not applicable for solder process capability

Product Compliance Disclaimer

This information is provided based on reasonable inquiry of our suppliers and represents our current actual knowledge based on the information they provided. This information is subject to change. The part numbers that TE has identified as EU RoHS compliant have a maximum concentration of 0.1% by weight in homogenous materials for lead, hexavalent chromium, mercury, PBB, PBDE, DBP, BBP, DEHP, DIBP, and 0.01% for cadmium, or qualify for an exemption to these limits as defined in the Annexes of Directive 2011/65/EU (RoHS2). Finished electrical and electronic equipment products will be CE marked as required by Directive 2011/65/EU. Components may not be CE marked. Additionally, the part numbers that TE has identified as EU ELV compliant have a maximum concentration of 0.1% by weight in homogenous materials for lead, hexavalent chromium, and mercury, and 0.01% for cadmium, or qualify for an exemption to these limits as defined in the Annexes of Directive 2000/53/EC (ELV). Regarding the REACH Regulation, the information TE provides on SVHC in articles for this part number is based on the latest European Chemicals Agency (ECHA) 'Guidance on requirements for substances in articles' posted at this URL: <https://echa.europa.eu/guidance-documents/guidance-on-reach>

### Compatible Parts

TE Part # 59287-2  
HHHT PIDG PG 12-10 ASSY

TE Part # 2392020-2  
YELLOW BATTERY HHHT KIT 220V (59287-2)

TE Part # 2392020-1  
YELLOW BATTERY HHHT KIT 110V (59287-2)

### Also in the Series | PIDG

Compression Connectors(17)

Crimp Terminal Housings(1)

Crimp Wire Pins, Tabs & Ferrules(41)

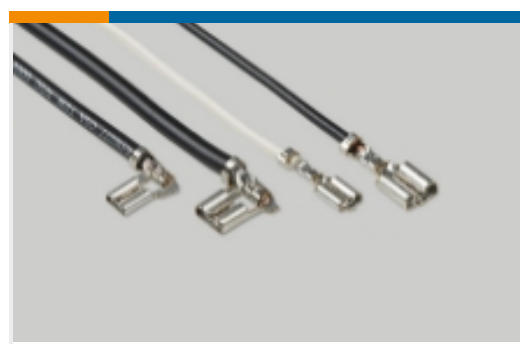
Hand Crimping Tools(2)



Knife Disconnects(11)



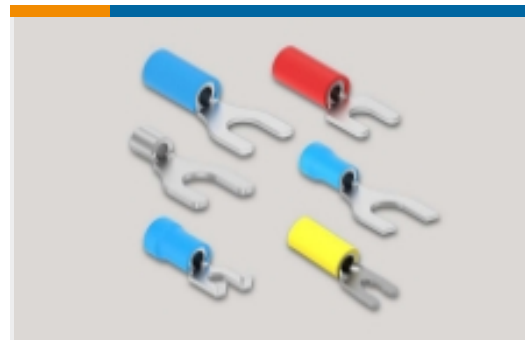
PCB Terminals(7)



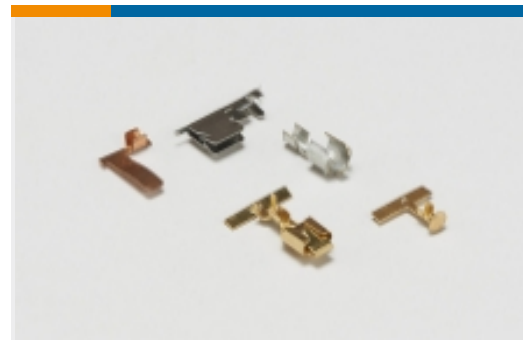
Quick Disconnects(49)



Ring Terminals(607)



Spade Terminals(231)



Special Purpose Terminals(1)

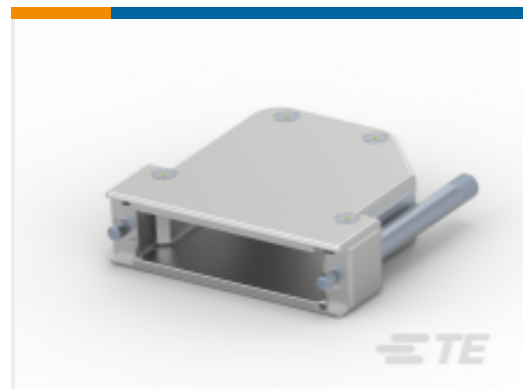


Splices(45)

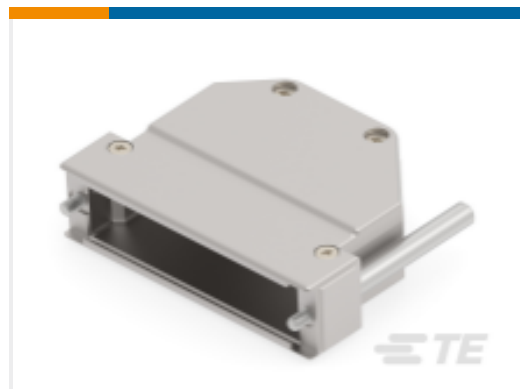
## Customers Also Bought



TE Part #1-2308341-6  
FULL METAL HOODS SIZE 2-6 (RAW  
180 DEG)



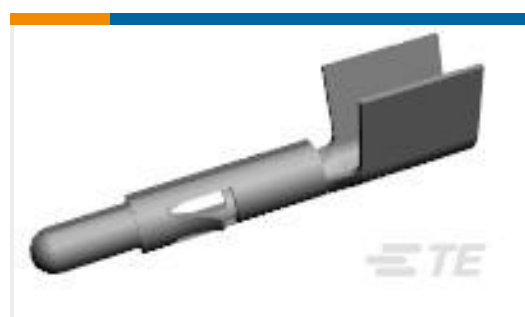
TE Part #1-2308342-5  
FULL METAL HOODS SIZE 3-5 (RAW)



TE Part #1-2308345-5  
FULL METAL HOODS SIZE 4 - 5 (RAW)



TE Part #1757819-2  
AMPLIMITE,ASY,PLUG,STD,109,ZN,2



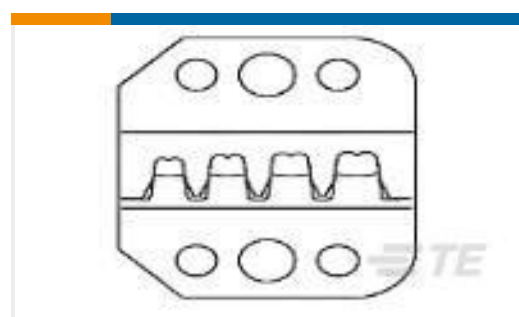
TE Part #640309-6  
UMNL PIN 12-10 AU/PHBZ



TE Part #1218266-1  
CONT,CRIMP PIN,18AWG,109,SZ 20



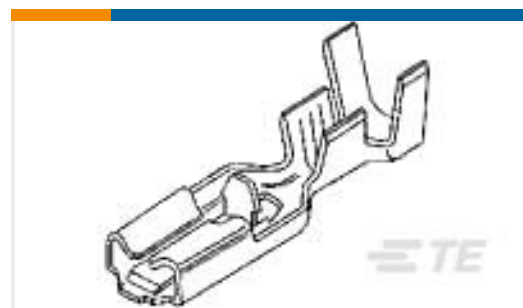
TE Part #1218267-1  
CONT,CRIMP SKT,18AWG,109,SZ 20



TE Part #58583-2  
PROCRIMP DIE SUPERSEAL 1.5 SER



TE Part #2-320571-2  
PIDG R 22-16 COMM 22-18MIL 1/4



TE Part #63442-1  
PL 250 TERMINAL REC 18-14 AWG  
TPBR

## Documents



## Product Drawings

### TERMINAL,PIDG R 12-10 10

English

---

## CAD Files

### Customer View Model

[ENG\\_CVM\\_CVM\\_35364\\_H.2d\\_dxf.zip](#)

English

### 3D PDF

3D

### Customer View Model

[ENG\\_CVM\\_CVM\\_35364\\_H.3d\\_igs.zip](#)

English

### Customer View Model

[ENG\\_CVM\\_CVM\\_35364\\_H.3d\\_stp.zip](#)

English

By downloading the CAD file I accept and agree to the [Terms and Conditions](#) of use.

---

## Product Specifications

### Application Specification

English

---

## Product Environmental Compliance

### TE Material Declaration

English

---

## Instruction Sheets

### Instruction Sheet (U.S.)

English

### LARGE EXPANSION PRODUCTS (FOR WIRE INSTULATION WITH 1/16" AND 5/64" WA

English

---

## Agency Approvals

### UL Report

English