

35185 ✓ ACTIVE

SOLISTRAND

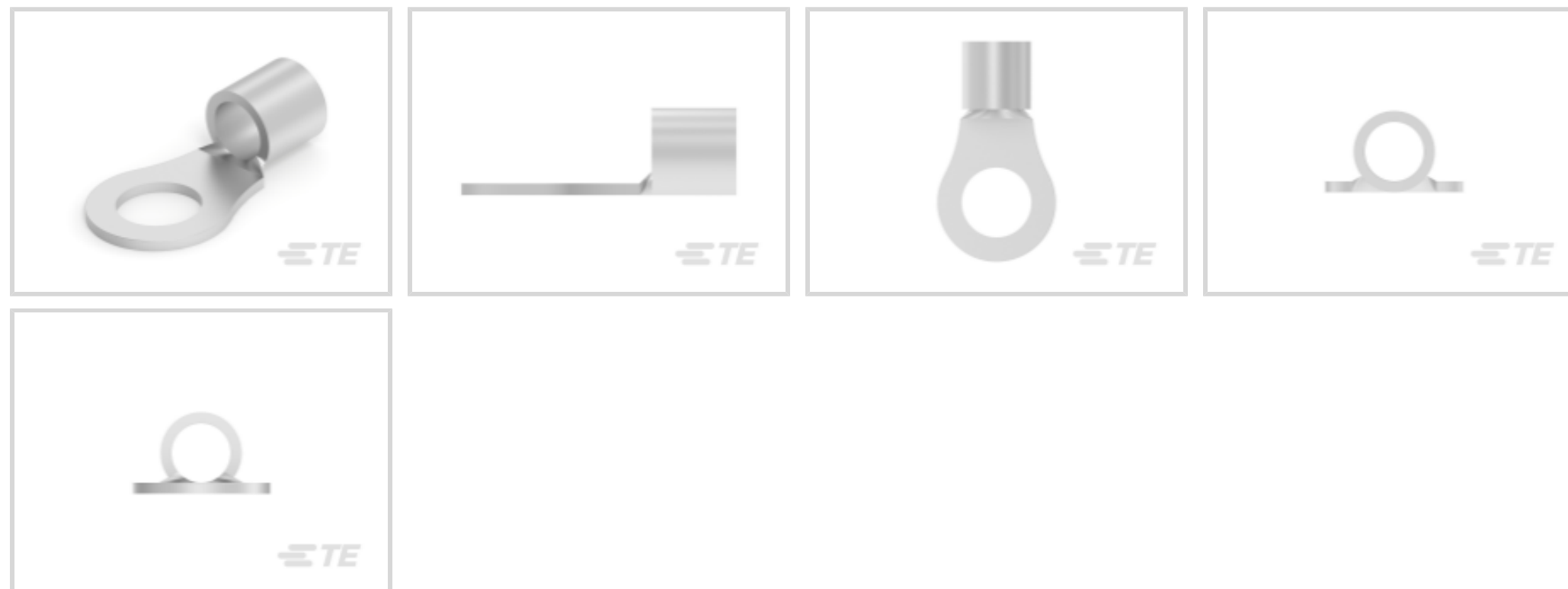
TE Internal #: 35185

Closed Ring Tongue Terminal, 2 AWG, 1/2 / M12 Stud Size, 13.08 mm [.515 in] Stud Diameter, Closed Barrel, Straight, Tin, Uninsulated

[View on TE.com >](#)



Terminals & Splices > Ring Terminals



Ring Terminal Product Type: Closed Ring Tongue Terminal

Wire Size: 52600 – 83700 CMA

Stud Size: 1/2, M12

Features

Product Type Features

Ring Terminal Product Type	Closed Ring Tongue Terminal
Stud Size	1/2, M12
Sealable	No
Wire Insulation Support Retention Type	Non-Insulation Support

Configuration Features

Number of Holes	1
-----------------	---

Body Features

Product Weight	13.416 g
----------------	----------

Contact Features

Barrel Type	Closed
Terminal Orientation	Straight
Terminal Plating Material	Tin

Mechanical Attachment

Wire Insulation Support	Without
-------------------------	---------

Dimensions



Wire Size	52600 – 83700 CMA
Stud Diameter	13.08 mm[.515 in]
Tongue Thickness	1.78 mm[.07 in]
Product Length	42.09 mm[1.66 in]
Barrel Inside Diameter	9.4 mm[.37 in]

Usage Conditions

Insulation Option	Uninsulated
Operating Temperature Range	170 °C[338 °F]

Operation/Application

Compatible With Wire Base Material	Copper
Compatible With Wire Plating Material	Tin

Industry Standards

Government Qualified Terminal	No
-------------------------------	----

Packaging Features

Packaging Method	Loose Piece
------------------	-------------

Product Compliance

[For compliance documentation, visit the product page on TE.com>](#)

EU RoHS Directive 2011/65/EU	Compliant
EU ELV Directive 2000/53/EC	Compliant
China RoHS 2 Directive MIIT Order No 32, 2016	No Restricted Materials Above Threshold
EU REACH Regulation (EC) No. 1907/2006	Current ECHA Candidate List: JUNE 2023 (235) Candidate List Declared Against: JUNE 2023 (235) Does not contain REACH SVHC
Halogen Content	Low Halogen - Br, Cl, F, I < 900 ppm per homogenous material. Also BFR/CFR/PVC Free
Solder Process Capability	Not applicable for solder process capability

Product Compliance Disclaimer

This information is provided based on reasonable inquiry of our suppliers and represents our current actual knowledge based on the information they provided. This information is subject to change. The part numbers that TE has identified as EU RoHS compliant have a maximum concentration of 0.1% by weight in homogenous materials for lead, hexavalent chromium, mercury, PBB, PBDE, DBP, BBP, DEHP, DIBP, and 0.01% for cadmium, or qualify for an exemption to these limits as defined in the Annexes of Directive 2011/65/EU (RoHS2). Finished electrical and electronic equipment products will be CE marked as required by Directive 2011/65/EU. Components may not be CE marked. Additionally, the part

numbers that TE has identified as EU ELV compliant have a maximum concentration of 0.1% by weight in homogenous materials for lead, hexavalent chromium, and mercury, and 0.01% for cadmium, or qualify for an exemption to these limits as defined in the Annexes of Directive 2000/53/EC (ELV). Regarding the REACH Regulation, the information TE provides on SVHC in articles for this part number is based on the latest European Chemicals Agency (ECHA) 'Guidance on requirements for substances in articles' posted at this URL: <https://echa.europa.eu/guidance-documents/guidance-on-reach>

Compatible Parts



TE Part # 1490414-2
HYP10 SOLIS HD 6-4AWG INDENTER



TE Part # 48127
HYP8 SOLIS 6-2AWG INDENTER



TE Part # 45433
HYP8/10 SOLIS 2AWG DIE SET



TE Part # 1490413-4
HYP10 SOLIS 2AWG NEST



TE Part # 3-1377172-3
SMP 0-0035185-0

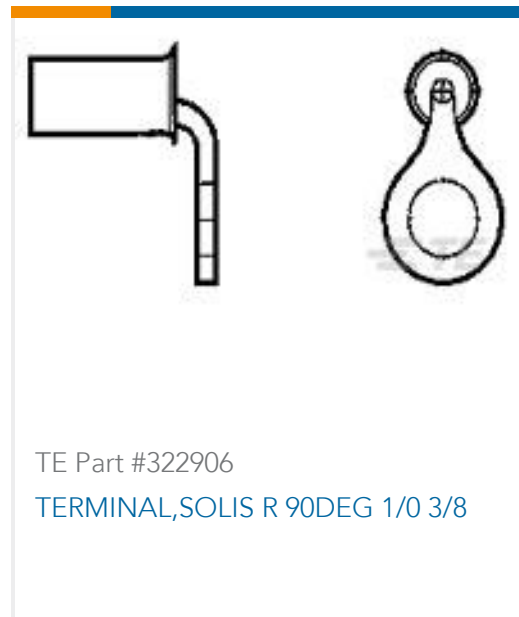


TE Part # 48130
HYP8 SOLIS 2AWG NEST

Customers Also Bought




TE Part #36934
BODY SOLIS RING 4/0 1/2



TE Part #322906
TERMINAL,SOLIS R 90DEG 1/0 3/8



TE Part #321880
TERMINAL,SOLIS R 4/0 1/2



TE Part #321875
TERMINAL,SOLIS R 3/0 3/8



TE Part #2820963001
44A0211-22-9



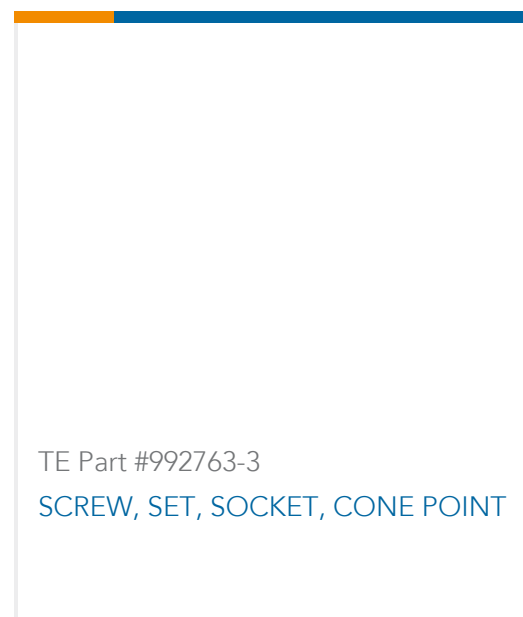
TE Part #3831593001
44A0221-16-0/9



TE Part #2-208224-2
CPC RECPT ASSEMBLY SIZE 23-37



TE Part #3843843001
44A0221-20-0/9



Documents

Product Drawings

[TERMINAL,SOLIS R 2 1/2](#)

English

CAD Files

Customer View Model

[ENG_CVM_CVM_35185_S.2d_dxf.zip](#)

English

[3D PDF](#)

3D

Customer View Model

[ENG_CVM_CVM_35185_S.3d_igs.zip](#)

English

Customer View Model

[ENG_CVM_CVM_35185_S.3d_stp.zip](#)

English

By downloading the CAD file I accept and agree to the [Terms and Conditions](#) of use.

Product Environmental Compliance

[Product Compliance Document](#)

English

[Product Compliance Document](#)

English

Agency Approvals

[UL Report](#)

English

[UL Report](#)

English

[UL Report](#)

English