



AMP

TE Internal #: 350968-2

Power Contacts, Contact, 250 VAC, 250 VDC, Gold, 26 – 24 AWG

Wire Size, .12 – .2 mm² Wire Size, 236.823 – 394.705 CMA Wire Size,

Wire & Cable, Crimp

[View on TE.com >](#)

Connectors > Power Connectors > Power Contacts



Power Contact Type: **Contact**

Operating Voltage: **250 VDC**

Contact Mating Area Plating Material: **Gold**

Wire Size: **26 – 24 AWG**

Features

Product Type Features

Power Contact Type	Contact
Sealable	No
Connector & Contact Terminates To	Wire & Cable

Electrical Characteristics

Operating Voltage	250 VDC
-------------------	---------

Contact Features

Contact Fabrication	Stamped & Formed
Barrel Type	Closed
Contact Mating Area Plating Material	Gold
Contact Current Rating (Max)	9 A
Contact Type	Pin
Contact Retention Within Housing	With
Mating Pin Diameter	1.73 mm[.068 in]
Contact Base Material	Phosphor Bronze
Contact Mating Area Plating Material Thickness	.76 μm[30 μin]



Wire Contact Termination Area Plating Thickness	1.27 µm[50 µin]
Wire Contact Termination Area Plating Material	Nickel
Wire Contact Termination Area Plating Material Finish	Matte
Contact Orientation	Straight
Contact Underplating Material	Nickel
Contact Underplating Material Thickness	1.27 µm[1.27 µin]

Termination Features

Termination Method to Wire & Cable	Crimp
------------------------------------	-------

Mechanical Attachment

Contact Retention Type Within Housing	Locking Lance
Wire Insulation Support	With

Dimensions

Wire Size	236.823 – 394.705 CMA
Compatible Insulation Diameter Range	.64 – 1.27 mm[.025 – .05 in]

Usage Conditions

Operating Temperature Range	-55 – 85 °C[-67 – 185 °F]
-----------------------------	---------------------------

Operation/Application

Circuit Application	Power & Signal
---------------------	----------------

Industry Standards

Agency/Standard	CSA, UL
-----------------	---------

Packaging Features

Packaging Quantity	6500
Packaging Method	Reel

Product Compliance

[For compliance documentation, visit the product page on TE.com>](#)

EU RoHS Directive 2011/65/EU	Compliant
EU ELV Directive 2000/53/EC	Compliant
China RoHS 2 Directive MIIT Order No 32, 2016	No Restricted Materials Above Threshold
EU REACH Regulation (EC) No. 1907/2006	Current ECHA Candidate List: JUNE 2023 (235) Candidate List Declared Against: JUNE 2023 (235)



Does not contain REACH SVHC

Halogen Content

Low Halogen - Br, Cl, F, I < 900 ppm per homogenous material. Also BFR/CFR/PVC Free

Solder Process Capability

Not applicable for solder process capability

Product Compliance Disclaimer

This information is provided based on reasonable inquiry of our suppliers and represents our current actual knowledge based on the information they provided. This information is subject to change. The part numbers that TE has identified as EU RoHS compliant have a maximum concentration of 0.1% by weight in homogenous materials for lead, hexavalent chromium, mercury, PBB, PBDE, DBP, BBP, DEHP, DIBP, and 0.01% for cadmium, or qualify for an exemption to these limits as defined in the Annexes of Directive 2011/65/EU (RoHS2). Finished electrical and electronic equipment products will be CE marked as required by Directive 2011/65/EU. Components may not be CE marked. Additionally, the part numbers that TE has identified as EU ELV compliant have a maximum concentration of 0.1% by weight in homogenous materials for lead, hexavalent chromium, and mercury, and 0.01% for cadmium, or qualify for an exemption to these limits as defined in the Annexes of Directive 2000/53/EC (ELV). Regarding the REACH Regulation, the information TE provides on SVHC in articles for this part number is based on the latest European Chemicals Agency (ECHA) 'Guidance on requirements for substances in articles' posted at this URL: <https://echa.europa.eu/guidance-documents/guidance-on-reach>

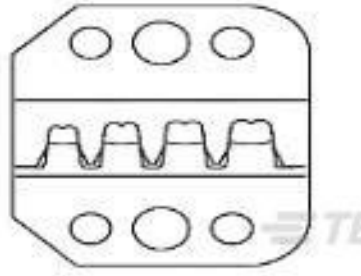
Compatible Parts



TE Part # 2063388-1
TOOL, EXTRACTION



TE Part # 58514-1
PROCRIMP TL W/DIE MR26-18



TE Part # 58514-2
PROCRIMP DIE MR26-18



TE Part # 91534-1
CCII MR PIN REC 26-24 ASSY



TE Part # 2-2837099-1
OCEAN-2.0-APPLICATOR-S-055F070F



TE Part # 2837099-1
OCEAN-2.0-APPLICATOR-S-055F070F



TE Part # 2837099-2
OCEAN-2.0-APPLICATOR-S-055F070F



TE Part # 7-2837099-1
OCEAN-2.0-APPLICATOR-S-055F070F



TE Part # 7-2837099-2
OCEAN-2.0-APPLICATOR-S-055F070F

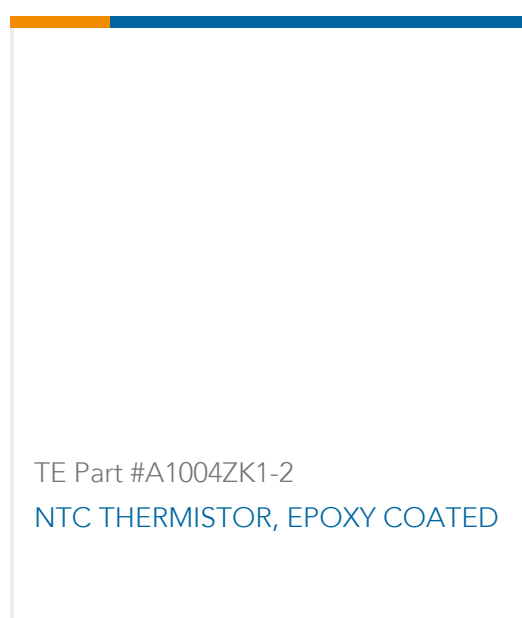
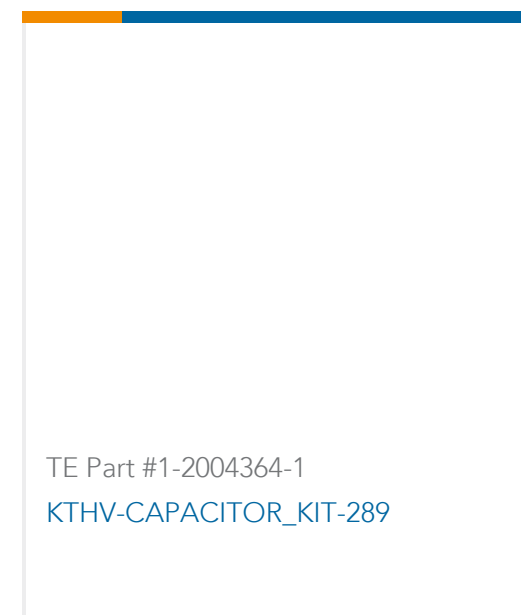
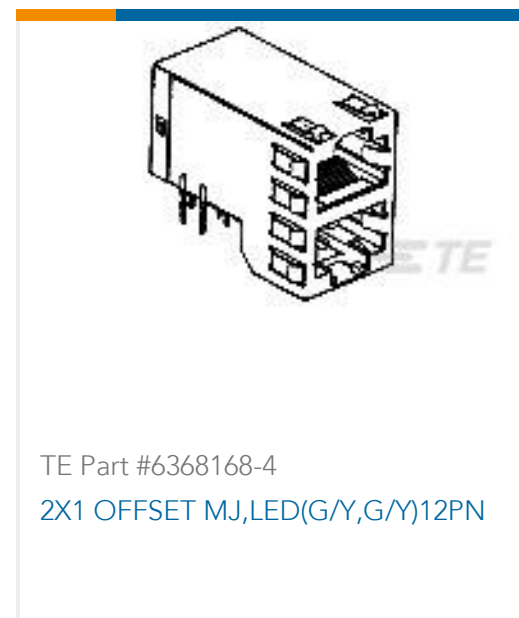


KIT
TE Part # 7-2837099-7
OCEAN_2.0_SPARE_PART_KIT-055F070F



TE Part # 466352-2
HDM SMPR055F070FK

Customers Also Bought



Documents

Product Drawings

[MR PIN 26-24 AU/PHBZ](#)

English

CAD Files

Customer View Model

[ENG_CVM_350968-2_F.3d_igs.zip](#)

English

Customer View Model

[ENG_CVM_350968-2_F.3d_stp.zip](#)

English

Customer View Model

[ENG_CVM_350968-2_F.2d_dxf.zip](#)

English

[3D PDF](#)

English

[3D PDF](#)

3D



Customer View Model

[ENG_CVM_CVM_350968-2_T.2d_dxf.zip](#)

English

Customer View Model

[ENG_CVM_CVM_350968-2_T.3d_igs.zip](#)

English

Customer View Model

[ENG_CVM_CVM_350968-2_T.3d_stp.zip](#)

English

By downloading the CAD file I accept and agree to the [Terms and Conditions](#) of use.

Datasheets & Catalog Pages

[SOFT_SHELL_PIN_AND_SOCKET_CONNECTORS_CATALOG](#)

English

Product Specifications

[Application Specification](#)

English