



AMP

TE Internal #: 350967-2

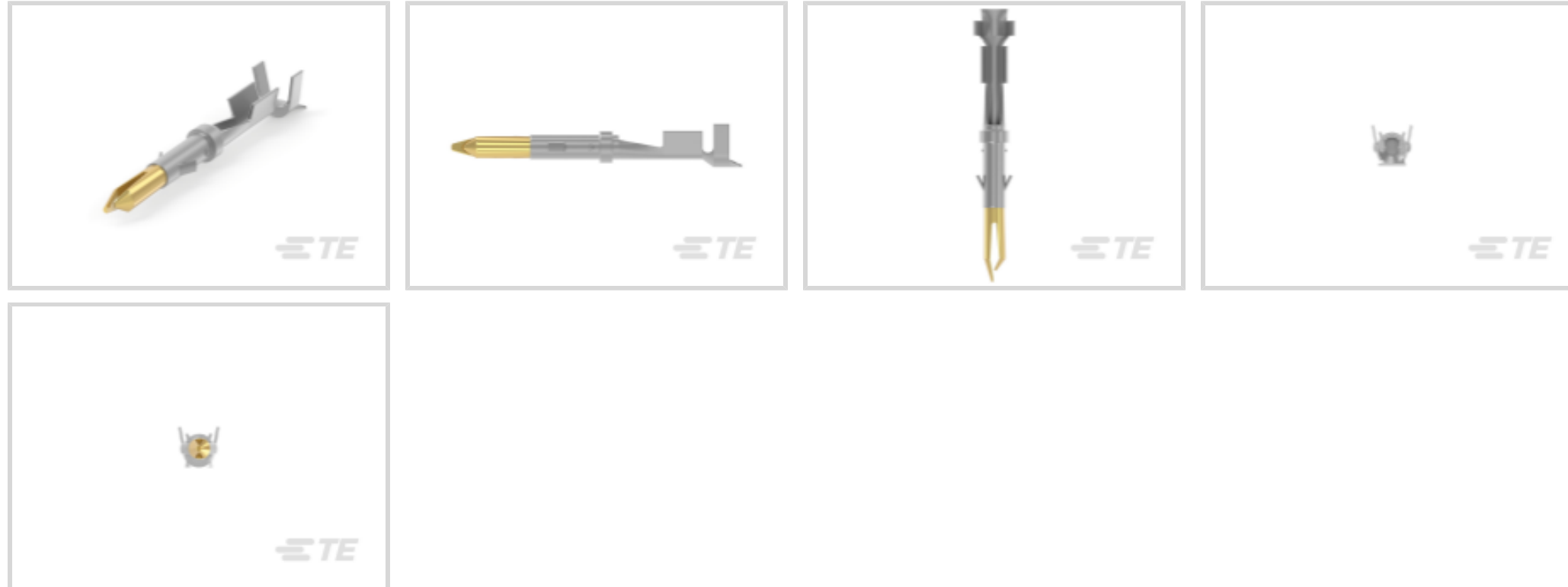
Power Contacts, Contact, 250 VAC, 250 VDC, Gold, 26 – 18 AWG

Wire Size, .12 – .8 mm² Wire Size, 236.823 – 1578.82 CMA Wire Size,

Wire & Cable, Crimp

[View on TE.com >](#)

Connectors > Power Connectors > Power Contacts



Power Contact Type: **Contact**

Operating Voltage: **250 VDC**

Contact Mating Area Plating Material: **Gold**

Wire Size: **26 – 18 AWG**

Features

Product Type Features

Power Contact Type	Contact
Sealable	No
Connector & Contact Terminates To	Wire & Cable

Electrical Characteristics

Operating Voltage	250 VDC
-------------------	---------

Contact Features

Contact Fabrication	Stamped & Formed
Contact Mating Area Plating Material	Gold
Contact Current Rating (Max)	9 A
Contact Type	Pin
Contact Retention Within Housing	With
Mating Pin Diameter	1.73 mm[.068 in]
Contact Base Material	Phosphor Bronze
Contact Mating Area Plating Material Thickness	.76 µm[29.92 µin]
Wire Contact Termination Area Plating Thickness	1.27 µm[50 µin]



Wire Contact Termination Area Plating Material	Nickel
Wire Contact Termination Area Plating Material Finish	Matte
Contact Orientation	Straight
Contact Underplating Material	Nickel
Contact Underplating Material Thickness	1.27 μm[1.27 μin]

Termination Features

Termination Method to Wire & Cable	Crimp
------------------------------------	-------

Mechanical Attachment

Wire Insulation Support	With
-------------------------	------

Dimensions

Wire Size	236.823 – 1578.82 CMA
Compatible Insulation Diameter Range	1.27 – 2.92 mm[.05 – .115 in]

Usage Conditions

Operating Temperature Range	-55 – 85 °C[-67 – 185 °F]
-----------------------------	---------------------------

Operation/Application

Circuit Application	Power & Signal
---------------------	----------------

Packaging Features

Packaging Method	Reel
------------------	------

Product Compliance

[For compliance documentation, visit the product page on TE.com>](#)

EU RoHS Directive 2011/65/EU	Compliant
EU ELV Directive 2000/53/EC	Compliant
China RoHS 2 Directive MIIT Order No 32, 2016	No Restricted Materials Above Threshold
EU REACH Regulation (EC) No. 1907/2006	Current ECHA Candidate List: JUNE 2023 (235) Candidate List Declared Against: JUNE 2023 (235) Does not contain REACH SVHC
Halogen Content	Low Halogen - Br, Cl, F, I < 900 ppm per homogenous material. Also BFR/CFR/PVC Free
Solder Process Capability	Not applicable for solder process capability

Product Compliance Disclaimer

This information is provided based on reasonable inquiry of our suppliers and represents our current actual knowledge based on the information they provided. This information is subject to change. The part numbers that TE has identified as EU RoHS compliant have a maximum concentration of 0.1% by weight in homogenous materials for lead, hexavalent chromium, mercury, PBB, PBDE, DBP, BBP, DEHP, DIBP, and 0.01% for cadmium, or qualify for an exemption to these limits as defined in the Annexes of Directive 2011/65/EU (RoHS2). Finished electrical and electronic equipment products will be CE marked as required by Directive 2011/65/EU. Components may not be CE marked. Additionally, the part numbers that TE has identified as EU ELV compliant have a maximum concentration of 0.1% by weight in homogenous materials for lead, hexavalent chromium, and mercury, and 0.01% for cadmium, or qualify for an exemption to these limits as defined in the Annexes of Directive 2000/53/EC (ELV). Regarding the REACH Regulation, the information TE provides on SVHC in articles for this part number is based on the latest European Chemicals Agency (ECHA) 'Guidance on requirements for substances in articles' posted at this URL: <https://echa.europa.eu/guidance-documents/guidance-on-reach>

Compatible Parts



TE Part # 2063388-1
TOOL, EXTRACTION



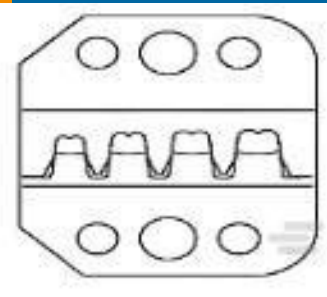
TE Part # 58514-1
PROCRIMP TL W/DIE MR26-18



TE Part # 91526-1
CCII MR II+ REC 26-18 ASSY



TE Part # 2305570-1
Strip Terminal Cutter-Side Feed-No Crimp



TE Part # 58514-2
PROCRIMP DIE MR26-18



TE Part # 2151229-1
OCEAN-2.0-APPLICATOR-S-055F120F



TE Part # 2151229-2
OCEAN-2.0-APPLICATOR-S-055F120F



TE Part # 5-2151229-1
OCEAN-2.0-APPLICATOR-S-055F120F



TE Part # 5-2151229-2
OCEAN-2.0-APPLICATOR-S-055F120F



TE Part # 7-2151229-1
OCEAN-2.0-APPLICATOR-S-055F120F



TE Part # 7-2151229-2
OCEAN-2.0-APPLICATOR-S-055F120F



TE Part # 7-2151229-7
OCEAN_2.0_SPARE_PART_KIT-055F120F

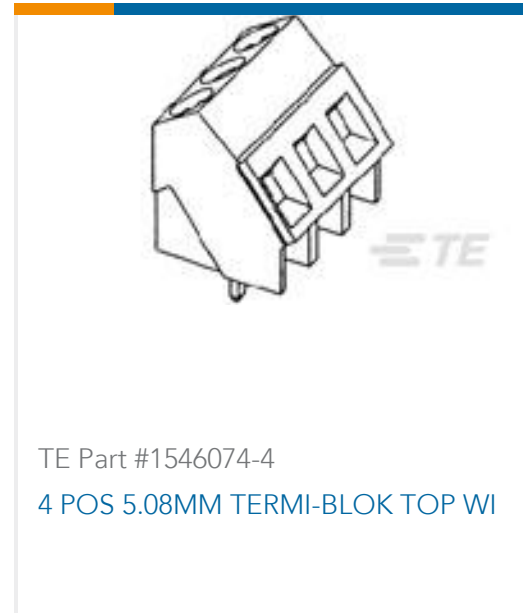


TE Part # 2-2151229-1
OCEAN-2.0-APPLICATOR-S-055F120F



TE Part # 2-2151229-2
OCEAN-2.0-APPLICATOR-S-055F120F

Customers Also Bought



Documents

Product Drawings

MR PIN AU/PHBZ

English

CAD Files

3D PDF

English

Customer View Model

[ENG_CVM_350967-2_L.2d_dxf.zip](#)

English

Customer View Model

[ENG_CVM_350967-2_L.3d_igs.zip](#)

English

Customer View Model

[ENG_CVM_350967-2_L.3d_stp.zip](#)

English

3D PDF

3D

Customer View Model

[ENG_CVM_CVM_350967-2_AA.2d_dxf.zip](#)

English

Customer View Model

[ENG_CVM_CVM_350967-2_AA.3d_igs.zip](#)

English

Customer View Model



[ENG_CVM_CVM_350967-2_AA.3d_stp.zip](#)

English

By downloading the CAD file I accept and agree to the [Terms and Conditions](#) of use.

Datasheets & Catalog Pages

[SOFT_SHELL_PIN_AND_SOCKET_CONNECTORS_CATALOG](#)

English

Product Specifications

[Application Specification](#)

English

Product Environmental Compliance

[Product Compliance](#)

English

[Product Compliance](#)

English