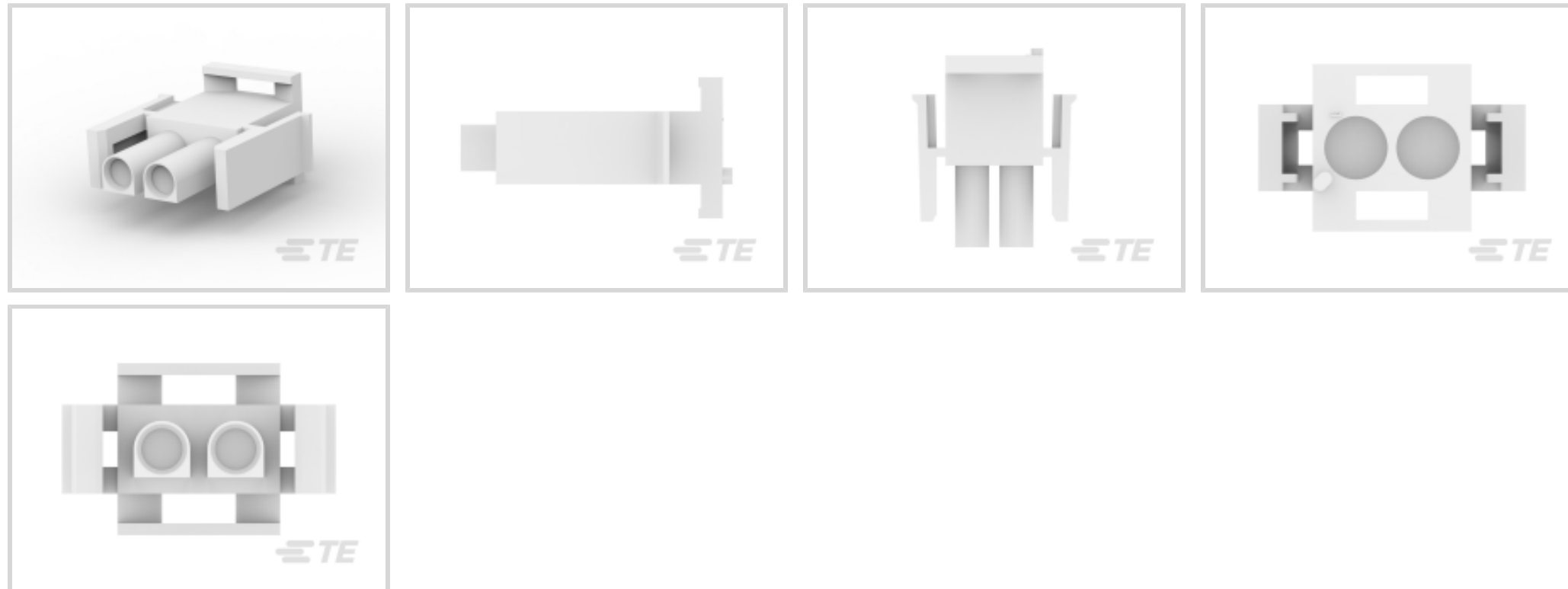




Connectors > Power Connectors > Rectangular Power > Rectangular Power Connectors



Rectangular Power Connector Type: **Connector Assembly**

Connector & Housing Type: **Plug**

Connector System: **Wire-to-Wire**

Number of Positions: **2**

Centerline (Pitch): **6.35 mm [.25 in]**

Features

Product Type Features

| | |
|-----------------------------------|--------------------|
| Rectangular Power Connector Type | Connector Assembly |
| Connector & Housing Type | Plug |
| Connector System | Wire-to-Wire |
| Sealable | No |
| Connector & Contact Terminates To | Wire & Cable |

Configuration Features

| | |
|---------------------------|---|
| Number of Positions | 2 |
| Number of Power Positions | 2 |
| Number of Rows | 1 |

Electrical Characteristics

| | |
|-------------------|---------|
| Operating Voltage | 600 VAC |
|-------------------|---------|

Contact Features

| | |
|------------------------|---------|
| Multiple Contact Types | Without |
| Contact Layout | Inline |



| | |
|--|---------|
| Contact Mating Area Plating Material | Tin |
| Contact Current Rating (Max) | 5 A |
| Contact Retention Within Housing | Without |
| Contact Type | Socket |
| Wire Contact Termination Area Plating Material | Pre-Tin |

Termination Features

| | |
|------------------------------------|-------|
| Termination Method to Wire & Cable | Crimp |
|------------------------------------|-------|

Mechanical Attachment

| | |
|-------------------------|----------------------------|
| Strain Relief | With |
| Mating Alignment Type | Polarization |
| Mating Retention | With |
| Mating Alignment | With |
| Mating Retention Type | Latch |
| Connector Mounting Type | Cable Mount (Free-Hanging) |

Housing Features

| | |
|--------------------|------------------|
| Centerline (Pitch) | 6.35 mm [.25 in] |
| Housing Color | Natural |
| Housing Material | Nylon |

Dimensions

| | |
|-----------|----------------------------|
| Wire Size | .05 – 5.26 mm ² |
|-----------|----------------------------|

Usage Conditions

| | |
|-----------------------------|-----------------------------|
| Operating Temperature Range | -55 – 105 °C [-67 – 221 °F] |
|-----------------------------|-----------------------------|

Operation/Application

| | |
|---------------------|-------|
| Circuit Application | Power |
|---------------------|-------|

Industry Standards

| | |
|------------------------|-------------------------------|
| CSA Rating | Certified, LR 7189 |
| UL Rating | Recognized |
| Agency/Standard | CSA, UL, VDE |
| Approved Standards | UL E28476 |
| UL Flammability Rating | UL 94V-0 |
| Glow Wire Rating | Standard Part - Not Glow Wire |



Packaging Features

| | |
|--------------------|-----|
| Packaging Quantity | 1 |
| Packaging Method | Box |

Product Compliance

[For compliance documentation, visit the product page on TE.com>](#)

| | |
|---|---|
| EU RoHS Directive 2011/65/EU | Compliant with Exemptions |
| EU ELV Directive 2000/53/EC | Compliant |
| China RoHS 2 Directive MIIT Order No 32, 2016 | Restricted Materials Above Threshold |
| EU REACH Regulation (EC) No. 1907/2006 | Current ECHA Candidate List: JUNE 2023 (235) Candidate List Declared Against: JUNE 2023 (235) SVHC > Threshold: Pb (2.97% in Component Part) Article Safe Usage Statements: Do not eat, drink or smoke when using this product. Wash thoroughly after handling. Recycle if possible and dispose of the article by following all applicable governmental regulations relevant to your geographic location. |
| Halogen Content | Low Halogen - Br, Cl, F, I < 900 ppm per homogenous material. Also BFR/CFR/PVC Free |
| Solder Process Capability | Not reviewed for solder process capability |

Product Compliance Disclaimer

This information is provided based on reasonable inquiry of our suppliers and represents our current actual knowledge based on the information they provided. This information is subject to change. The part numbers that TE has identified as EU RoHS compliant have a maximum concentration of 0.1% by weight in homogenous materials for lead, hexavalent chromium, mercury, PBB, PBDE, DBP, BBP, DEHP, DIBP, and 0.01% for cadmium, or qualify for an exemption to these limits as defined in the Annexes of Directive 2011/65/EU (RoHS2). Finished electrical and electronic equipment products will be CE marked as required by Directive 2011/65/EU. Components may not be CE marked. Additionally, the part numbers that TE has identified as EU ELV compliant have a maximum concentration of 0.1% by weight in homogenous materials for lead, hexavalent chromium, and mercury, and 0.01% for cadmium, or qualify for an exemption to these limits as defined in the Annexes of Directive 2000/53/EC (ELV). Regarding the REACH Regulation, the information TE provides on SVHC in articles for this part number is based on the latest European Chemicals Agency (ECHA) 'Guidance on requirements for substances in articles' posted at this URL: <https://echa.europa.eu/guidance-documents/guidance-on-reach>

Compatible Parts



| | | | |
|--|---|--|--|
|  <p>TE Part # 350787-3 02P UMNL PIN HDR ASSY 94VO LF</p> |  <p>TE Part # 3-350942-0 02P UMNL HDR ASSY R/A 94VO LF</p> |  <p>TE Part # 350787-1 02P UMNL PIN HDR ASSY 94VO</p> |  <p>TE Part # 350428-4 02P UMNL PIN HDR ASSY NATL AU</p> |
|  <p>TE Part # 350759-5 02P UMNL HDR ASSY PC V2 LF</p> |  <p>TE Part # 1-350942-0 02P UMNL HDR ASSY R/A 94VO</p> |  <p>TE Part # 350786-3 02P UMNL HDR ASSY AU 94VO</p> |  <p>TE Part # 770024-1 02P UMNLII IN-LINE CAP HSG KIT</p> |
|  <p>TE Part # 350824-1 02P UMNL HDR ASSY PC 94VO</p> |  <p>TE Part # 643226-1 02P UMNL HDR ASSY R/A 94VO</p> |  <p>TE Part # 641777-1 UMNL STR/REL ADAPTER NATL</p> |  <p>TE Part # 641964-1 02P UMNL PIN HDR ASSY POL 94VO</p> |
|  <p>TE Part # 350824-4 02P UMNL HDR ASSY PC LF</p> |  <p>TE Part # 350428-1 02P UMNL PIN HDR ASSY NATL</p> |  <p>TE Part # 350759-4 02P UMNL HDR ASSY PC V2 NATL</p> |  <p>TE Part # 641963-1 02P UMNL PIN HDR ASSY POL NATL</p> |
|  <p>TE Part # 641964-3 02P UMNL PIN HDR ASSY POL LF</p> |  <p>TE Part # 350786-1 02P UMNL HDR ASSY 94VO</p> |  <p>TE Part # 350778-1 02P UMNL CAP HSG</p> |  <p>TE Part # 643411-1 02P UMNL HDR ASSY POL</p> |

Also in the Series | [Universal MATE-N-LOK](#)



Circular Power Connectors(2)



Connector Caps & Covers(34)



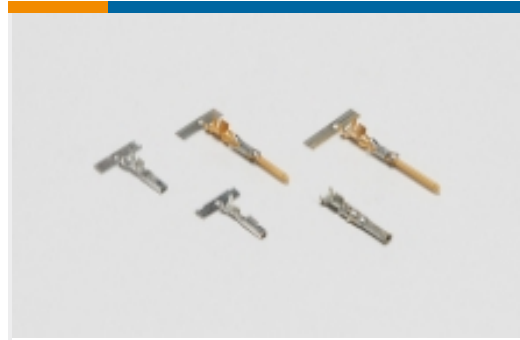
Connector Contacts(2)



Connector Seals & Cavity Plugs(27)



Insertion & Extraction Tools(4)



Power Contacts(207)



Rectangular Connector Adapters(7)



Rectangular Connector Hardware(1)



Rectangular Connector Housings(1)



Rectangular Connector Keying Plugs(3)



Rectangular Connector Locking(8)

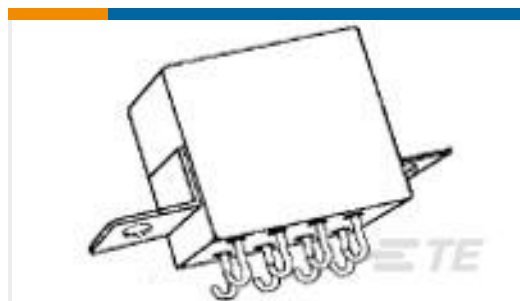


Rectangular Power Connectors(672)

Customers Also Bought



TE Part #8880530001
HT-SCE-1/8-2.0-S1-9



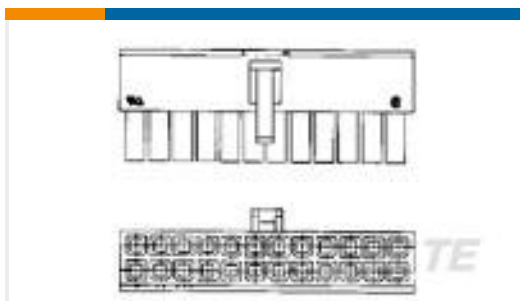
TE Part #5-1617758-2
FCB-205-0226M=M83536/2-026M



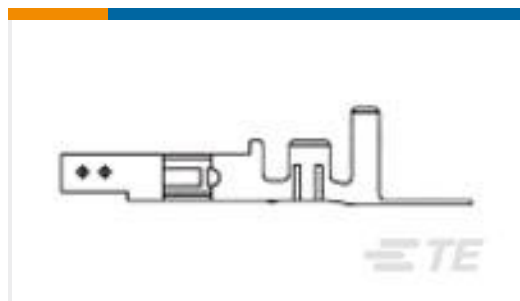
TE Part #5556591-1
MJ,LPF,R/A,8P/8C,SHLD,KEYEDP



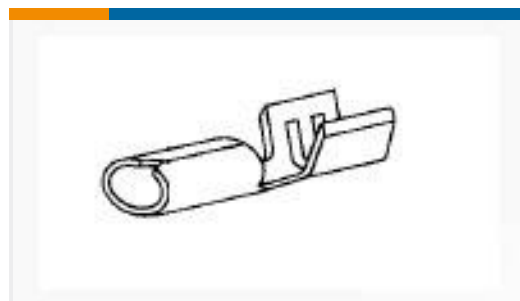
TE Part #350428-4
02P UMNL PIN HDR ASSY NATL AU



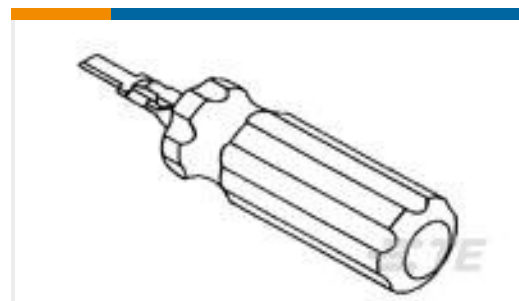
TE Part #1-794954-0
10P RCPT VAL-U-LOK V2



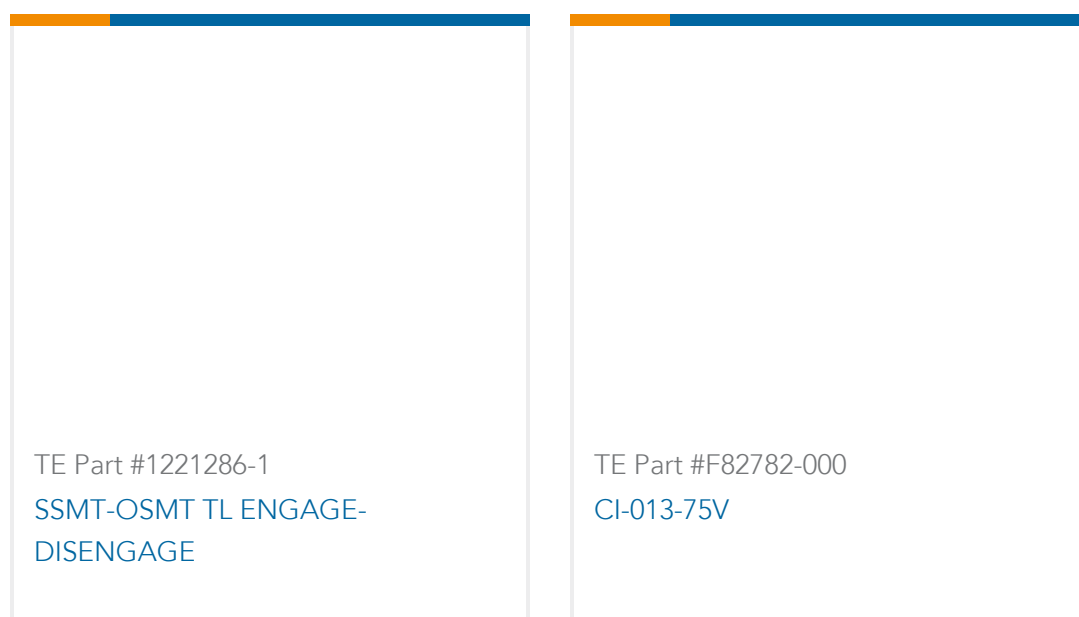
TE Part #794956-1
VAL-U-LOK SKT BR SN 22-18AWG



TE Part #62352-1
50 FASTON TAB 24-20 AWG TPBZ



TE Part #1586343-1
VAL-U-LOK EXTRACTION TOOL



Documents

Product Drawings

[02P UMNL PLUG TEST ASSY 94VO](#)

English

CAD Files

[3D PDF](#)

English

Customer View Model

[ENG_CVM_350848-2_A1.3d_igs.zip](#)

English

Customer View Model

[ENG_CVM_350848-2_A1.3d_stp.zip](#)

English

Customer View Model

[ENG_CVM_350848-2_A1.2d_dxf.zip](#)

English

By downloading the CAD file I accept and agree to the [Terms and Conditions](#) of use.

Datasheets & Catalog Pages

[SOFT_SHELL_PIN_SOCKET_CONNECTORS_STANDARD_DENSITY](#)

English

Product Specifications

[Application Specification](#)

English

Instruction Sheets

[Instruction Sheet \(U.S.\)](#)

English