



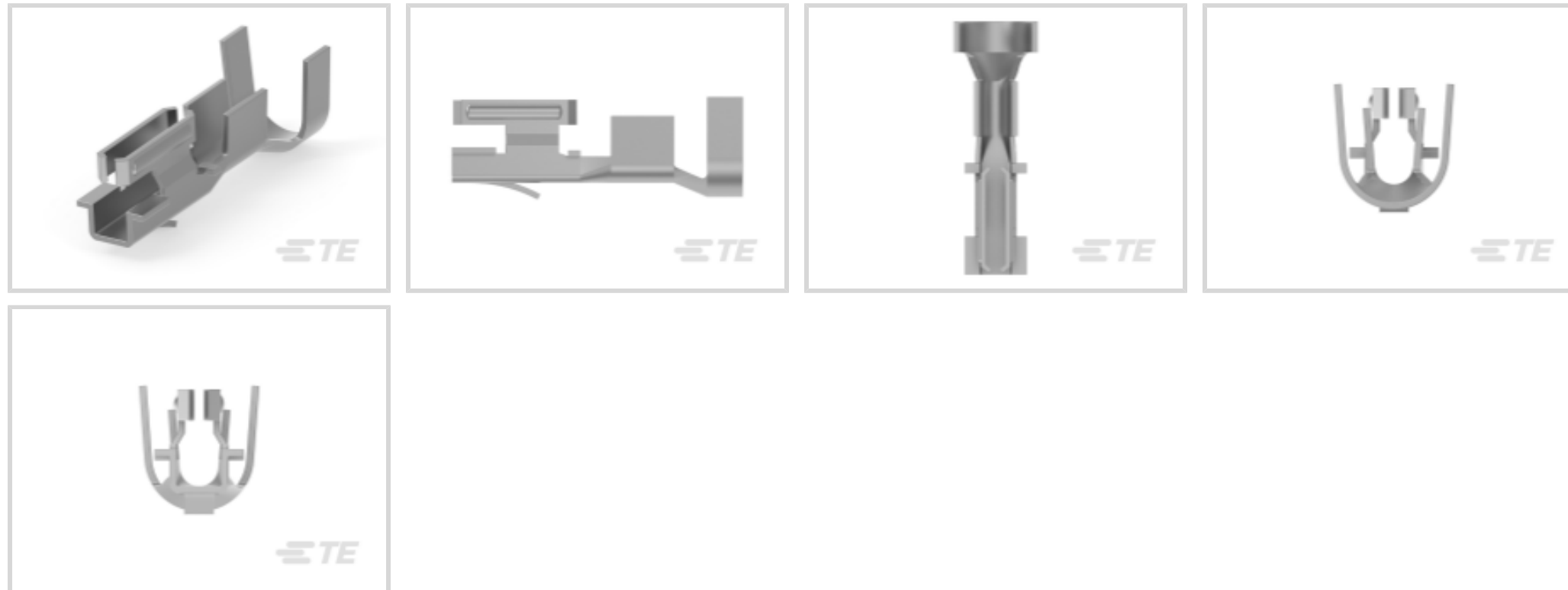
AMP

TE Internal #: 350821-1

Power Contacts, Contact, 600 VAC, 600 VDC, Tin, 12 – 8 AWG Wire Size, 3 – 8 mm² Wire Size, Wire & Cable, Crimp, Power, Hermaphroditic

[View on TE.com >](#)

Connectors > Power Connectors > Power Contacts



Power Contact Type: **Contact**

Operating Voltage: **600 VDC**

Contact Mating Area Plating Material: **Tin**

Wire Size: **12 – 8 AWG**

Features

Product Type Features

Compatible With Discrete Wire Type	Stranded
Power Contact Type	Contact
Sealable	No
Connector & Contact Terminates To	Wire & Cable

Electrical Characteristics

Operating Voltage	600 VDC
-------------------	---------

Contact Features

Contact Mating Area Plating Material	Tin
Contact Current Rating (Max)	35 A
Contact Type	Hermaphroditic
Contact Retention Within Housing	With
Contact Base Material	Phosphor Bronze
Contact Mating Area Plating Material Thickness	2 μm[79 μin]
Contact Mating Area Plating Material Finish	Bright
Wire Contact Termination Area Plating Thickness	2 – 4 μm[79 – 157 μin]



Wire Contact Termination Area Plating Material	Tin
Wire Contact Termination Area Plating Material Finish	Bright
Contact Orientation	Straight

Termination Features

Termination Method to Wire & Cable	Crimp
------------------------------------	-------

Mechanical Attachment

Wire Insulation Support	With
-------------------------	------

Dimensions

Wire Size	3 – 8 mm ²
Compatible Insulation Diameter Range	9.14 mm[.36 in]

Usage Conditions

Operating Temperature Range	-55 – 85 °C[-67 – 185 °F]
-----------------------------	---------------------------

Operation/Application

Circuit Application	Power
---------------------	-------

Packaging Features

Packaging Quantity	250
Packaging Method	Bag

Product Compliance

[For compliance documentation, visit the product page on TE.com>](#)

EU RoHS Directive 2011/65/EU	Compliant
EU ELV Directive 2000/53/EC	Compliant
China RoHS 2 Directive MIIT Order No 32, 2016	No Restricted Materials Above Threshold
EU REACH Regulation (EC) No. 1907/2006	Current ECHA Candidate List: JUNE 2023 (235) Candidate List Declared Against: JUNE 2023 (235) Does not contain REACH SVHC
Halogen Content	Low Halogen - Br, Cl, F, I < 900 ppm per homogenous material. Also BFR/CFR/PVC Free
Solder Process Capability	Not applicable for solder process capability

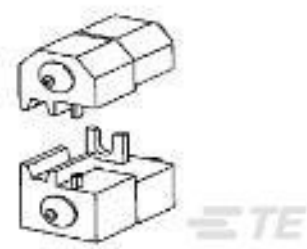
Product Compliance Disclaimer

This information is provided based on reasonable inquiry of our suppliers and represents our current actual knowledge based on the information they provided. This information is subject to change. The part numbers that TE has identified as EU RoHS compliant have a maximum concentration of 0.1% by weight in homogenous materials for lead, hexavalent chromium, mercury, PBB, PBDE, DBP, BBP, DEHP, DIBP, and 0.01% for cadmium, or qualify for an exemption to these limits as defined in the Annexes of Directive 2011/65/EU (RoHS2). Finished electrical and electronic equipment products will be CE marked as required by Directive 2011/65/EU. Components may not be CE marked. Additionally, the part numbers that TE has identified as EU ELV compliant have a maximum concentration of 0.1% by weight in homogenous materials for lead, hexavalent chromium, and mercury, and 0.01% for cadmium, or qualify for an exemption to these limits as defined in the Annexes of Directive 2000/53/EC (ELV). Regarding the REACH Regulation, the information TE provides on SVHC in articles for this part number is based on the latest European Chemicals Agency (ECHA) 'Guidance on requirements for substances in articles' posted at this URL: <https://echa.europa.eu/guidance-documents/guidance-on-reach>

Compatible Parts



TE Part # 90349-2
HIGHCURRENT HERMAPHRODITIC
12-10 DIE SET



TE Part # 90348-2
HIGH CURRENT HERMAPHRODITIC 8
DIE SET

Customers Also Bought



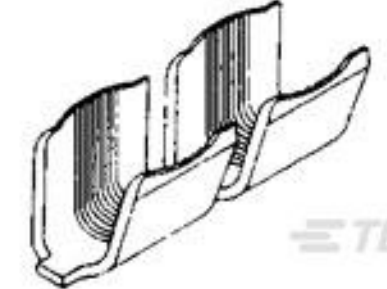
TE Part #208720-1
Circular Plastic Connector, CMC Series
1



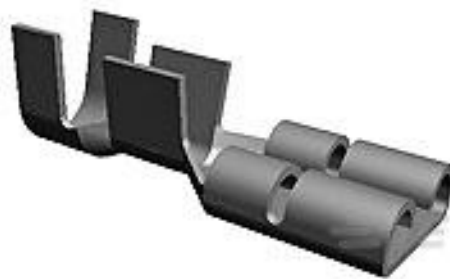
TE Part #208481-1
CMC RECEPT ASSEMBLY SIZE 28



TE Part #66741-6
TYPE XII FEMALE CONT (L.P.)



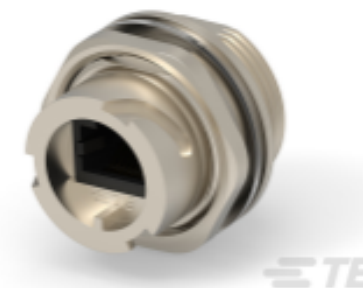
TE Part #41770
SPLC AMVAR 7000-13000 BR



TE Part #63306-2
250 FASTON REC 18-14 AWG TPBR



TE Part #150530-1
FASTON 375 AM REC 2-6MM2 0.2X1.
062 BR



TE Part #2355443-1
RJ45 CAT5e PANEL MOUNT SOCKET



TE Part #2355444-1
RJ45 PROTECTION CAP



Documents

Product Drawings

[HERM HI/CUR TERM 12-8 LP](#)

English

CAD Files

[3D PDF](#)

3D

Customer View Model

[ENG_CVM_CVM_350821-1_E.2d_dxf.zip](#)

English

Customer View Model

[ENG_CVM_CVM_350821-1_E.3d_igs.zip](#)

English

Customer View Model

[ENG_CVM_CVM_350821-1_E.3d_stp.zip](#)

English

[3D PDF](#)

English

Customer View Model

[ENG_CVM_350821-1_C.3d_igs.zip](#)

English

Customer View Model

[ENG_CVM_350821-1_C.3d_stp.zip](#)

English

Customer View Model

[ENG_CVM_350821-1_C.2d_dxf.zip](#)

English

By downloading the CAD file I accept and agree to the [Terms and Conditions](#) of use.

Datasheets & Catalog Pages

[1654742_HOUSEHOLD_APPLIANCES_RAST5](#)

English

Product Specifications

[Product Specification](#)

English



Product Environmental Compliance

Product Compliance

English

Product Compliance

English

Instruction Sheets

Instruction Sheet (U.S.)

English

Crimping Die Assemblies 90347-2, 90348-2, and 90349-2

English