

350585-1 ✓ ACTIVE

MATE-N-LOK | Universal MATE-N-LOK

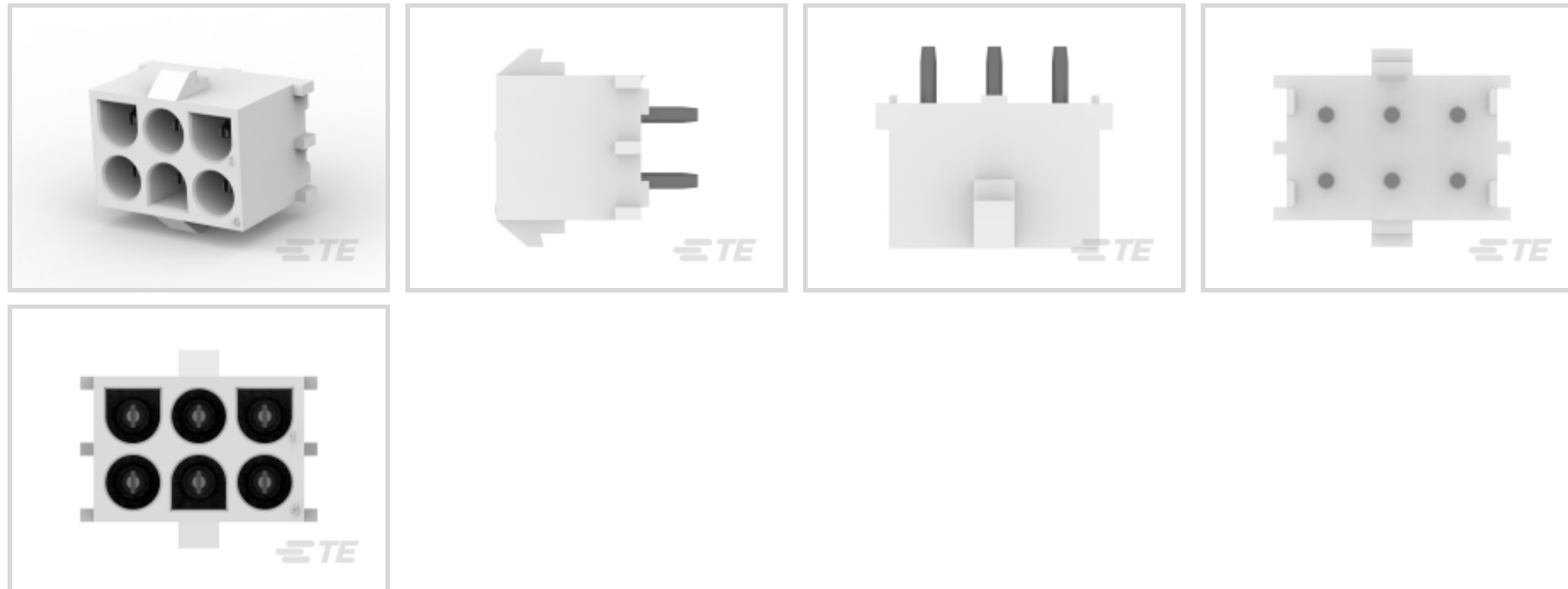
TE Internal #: 350585-1

Rectangular Power Connectors, Header, Receptacle, Wire-to-Board, 6 Position, 6.35 mm [.25 in] Centerline, Printed Circuit Board, Universal MATE-N-LOK

[View on TE.com >](#)



Connectors > Power Connectors > Rectangular Power > Rectangular Power Connectors



Rectangular Power Connector Type: **Header**

Connector & Housing Type: **Receptacle**

Connector System: **Wire-to-Board**

Number of Positions: **6**

Centerline (Pitch): **6.35 mm [.25 in]**

## Features

### Product Type Features

|                                   |                       |
|-----------------------------------|-----------------------|
| Rectangular Power Connector Type  | Header                |
| Connector & Housing Type          | Receptacle            |
| Connector System                  | Wire-to-Board         |
| Sealable                          | No                    |
| Connector & Contact Terminates To | Printed Circuit Board |

### Configuration Features

|                           |          |
|---------------------------|----------|
| Number of Positions       | 6        |
| PCB Mount Orientation     | Vertical |
| Number of Power Positions | 6        |
| Number of Rows            | 2        |

### Electrical Characteristics

|                   |         |
|-------------------|---------|
| Operating Voltage | 600 VAC |
|-------------------|---------|

### Contact Features

|                        |         |
|------------------------|---------|
| Multiple Contact Types | Without |
|------------------------|---------|



|   |   |
|---|---|
| PCB Contact Termination Area Plating Material Thickness | 2.54 $\mu\text{m}$ [100 $\mu\text{in}$ ]              |
| Contact Layout  | Matrix  |
| Contact Underplating Material Thickness                 | 1.27 $\mu\text{m}$ [50 $\mu\text{in}$ ]               |
| Contact Mating Area Plating Material                    | Tin   |
| Contact Current Rating (Max)                            | 10 A, 12 A  |
| Contact Retention Within Housing                        | Without   |
| Contact Type  | Pin   |
| PCB Contact Termination Area Plating Material           | Pre-Tin   |
| Contact Mating Area Plating Material Thickness          | 3.81 – 5.08 $\mu\text{m}$ [150 – 200 $\mu\text{in}$ ] |

### Termination Features

|   |                       |
|---|-----------------------|
| Termination Post & Tail Length              | 3.05 mm[.12 in]       |
| Termination Method to Printed Circuit Board | Through Hole - Solder |

### Mechanical Attachment

|                         |               |
|-------------------------|---------------|
| Strain Relief           | Without       |
| Mating Alignment Type   | Polarization  |
| Mating Retention        | With          |
| Mating Alignment        | With          |
| PCB Mount Alignment     | Without       |
| Panel Mount Feature     | Without       |
| PCB Mount Retention     | Without       |
| Mating Retention Type   | Positive Lock |
| Connector Mounting Type | Board Mount   |

### Housing Features

|                    |                 |
|--------------------|-----------------|
| Centerline (Pitch) | 6.35 mm[.25 in] |
| Housing Color      | Natural         |
| Housing Material   | Nylon           |

### Dimensions

|                             |                  |
|-----------------------------|------------------|
| PCB Thickness (Recommended) | 1.57 mm[.062 in] |
| Row-to-Row Spacing          | 6.35 mm[.25 in]  |

### Usage Conditions

|                             |  |
|-----------------------------|--|
| Operating Temperature Range | -40 – 105 $^{\circ}\text{C}$ [-40 – 221 $^{\circ}\text{F}$ ] |
|-----------------------------|--|

### Operation/Application



|                     |       |
|---------------------|-------|
| Circuit Application | Power |
|---------------------|-------|

### Industry Standards

|                        |                               |
|------------------------|-------------------------------|
| UL Rating              | Recognized                    |
| Agency/Standard        | UL, VDE                       |
| Approved Standards     | UL E28476                     |
| UL Flammability Rating | UL 94V-2                      |
| Glow Wire Rating       | Standard Part - Not Glow Wire |

### Packaging Features

|                    |     |
|--------------------|-----|
| Packaging Quantity | 100 |
| Packaging Method   | Bag |

### Product Compliance

[For compliance documentation, visit the product page on TE.com>](#)

|   |   |
|---|---|
| EU RoHS Directive 2011/65/EU                  | Compliant   |
| EU ELV Directive 2000/53/EC                   | Compliant   |
| China RoHS 2 Directive MIIT Order No 32, 2016 | No Restricted Materials Above Threshold   |
| EU REACH Regulation (EC) No. 1907/2006        | Current ECHA Candidate List: JUNE 2023 (235)<br>Candidate List Declared Against: JUNE 2023 (235)<br>Does not contain REACH SVHC |
| Halogen Content                               | Low Halogen - Br, Cl, F, I < 900 ppm per homogenous material. Also BFR/CFR/PVC Free   |
| Solder Process Capability                     | Wave solder capable to 265°C  |

#### Product Compliance Disclaimer

This information is provided based on reasonable inquiry of our suppliers and represents our current actual knowledge based on the information they provided. This information is subject to change. The part numbers that TE has identified as EU RoHS compliant have a maximum concentration of 0.1% by weight in homogenous materials for lead, hexavalent chromium, mercury, PBB, PBDE, DBP, BBP, DEHP, DIBP, and 0.01% for cadmium, or qualify for an exemption to these limits as defined in the Annexes of Directive 2011/65/EU (RoHS2). Finished electrical and electronic equipment products will be CE marked as required by Directive 2011/65/EU. Components may not be CE marked. Additionally, the part numbers that TE has identified as EU ELV compliant have a maximum concentration of 0.1% by weight in homogenous materials for lead, hexavalent chromium, and mercury, and 0.01% for cadmium, or qualify for an exemption to these limits as defined in the Annexes of Directive 2000/53/EC (ELV). Regarding the REACH Regulation, the information TE provides on SVHC in articles for this part number is based on the latest European Chemicals Agency (ECHA) 'Guidance on requirements for substances in articles' posted at this URL: <https://echa.europa.eu/guidance-documents/guidance-on-reach>

## Compatible Parts



Also in the Series | **Universal MATE-N-LOK**





Circular Power Connectors(2)



Connector Contacts(2)



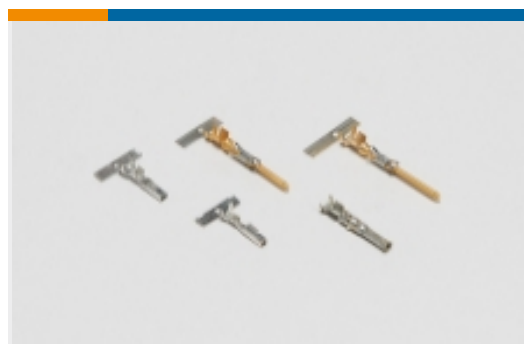
Connector Seals & Cavity Plugs(27)



Connector Strain Relief(34)



Insertion & Extraction Tools(4)



Power Contacts(207)



Rectangular Connector Adapters(7)



Rectangular Connector Hardware(1)



Rectangular Connector Housings(1)



Rectangular Connector Keying Plugs(3)



Rectangular Connector Locking(8)

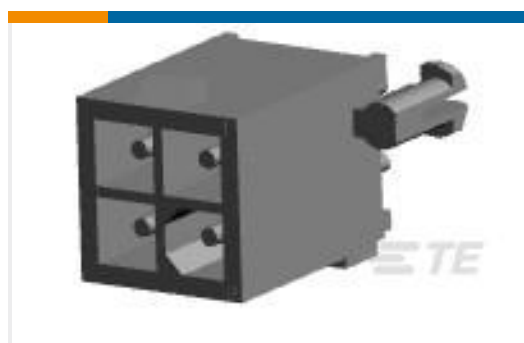


Rectangular Power Connectors(672)

## Customers Also Bought



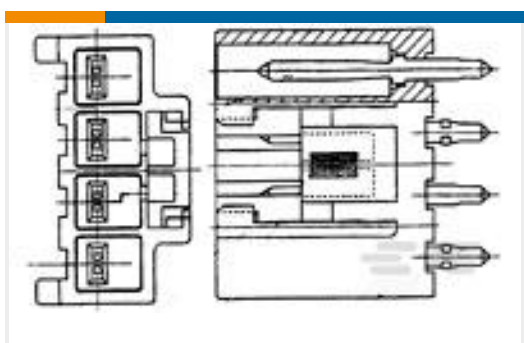
TE Part #350586-1  
09P UMNL PIN HDR ASSY V2 NATL



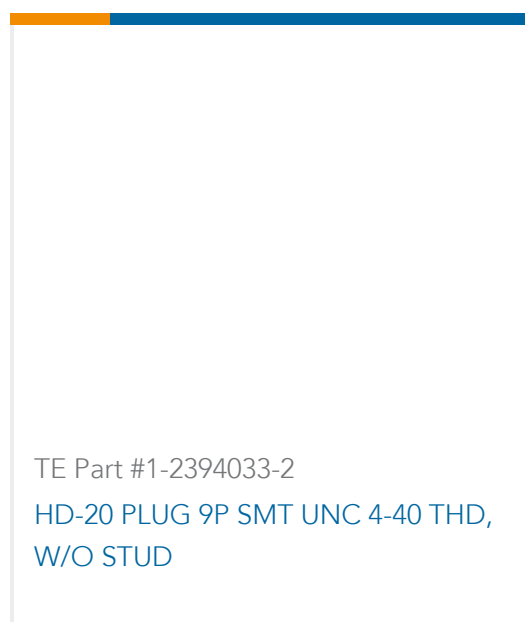
TE Part #1-770174-1  
04P MINI UMNL ASSY VO SNAU LF



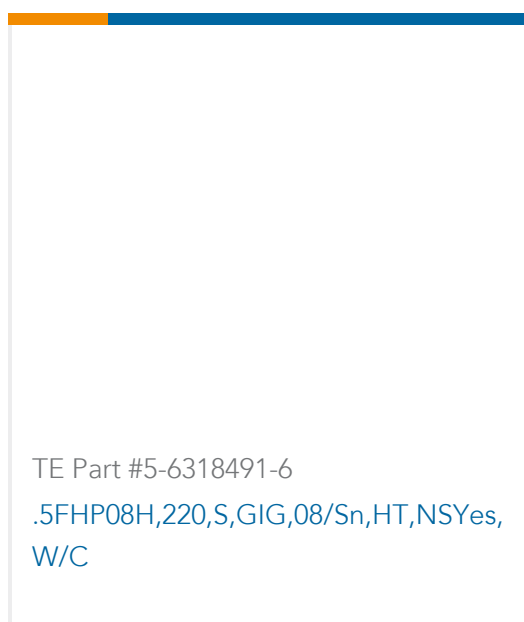
TE Part #1546927-8  
8P .325 TRI-BARRIER W/COVER



TE Part #1-178489-1  
UP 3.96 6P TAB HDR NAT TYPE 2



TE Part #1-2394033-2  
HD-20 PLUG 9P SMT UNC 4-40 THD,  
W/O STUD



TE Part #5-6318491-6  
.5FHP08H,220,S,GIG,08/Sn,HT,NSYes,  
W/C



TE Part #2018953-1  
PCBA, CBP/CMP INTERFACE

## Documents



### Product Drawings

#### 06P UMNL PIN HDR ASSY V2 NATL

English

### CAD Files

#### Customer View Model

[ENG\\_CVM\\_350585-1\\_R.3d\\_igs.zip](#)

English

#### Customer View Model

[ENG\\_CVM\\_350585-1\\_R.3d\\_stp.zip](#)

English

#### Customer View Model

[ENG\\_CVM\\_350585-1\\_R.2d\\_dxf.zip](#)

English

### 3D PDF

English

### 3D PDF

3D

#### Customer View Model

[ENG\\_CVM\\_CVM\\_350585-1\\_Y.2d\\_dxf.zip](#)

English

#### Customer View Model

[ENG\\_CVM\\_CVM\\_350585-1\\_Y.3d\\_igs.zip](#)

English

#### Customer View Model

[ENG\\_CVM\\_CVM\\_350585-1\\_Y.3d\\_stp.zip](#)

English

By downloading the CAD file I accept and agree to the [Terms and Conditions](#) of use.

### Datasheets & Catalog Pages

#### SOFT\_SHELL\_PIN\_SOCKET\_CONNECTORS\_STANDARD\_DENSITY

English

### Product Specifications

#### Application Specification

English

### Product Environmental Compliance

#### MD\_350585-1\_0831201110

English

#### MD\_350585-1\_0831201110

English

### Instruction Sheets

#### Instruction Sheet (U.S.)

English

350585-1

Rectangular Power Connectors, Header, Receptacle, Wire-to-Board, 6 Position, 6.35 mm [.25 in] Centerline, Printed Circuit Board, Universal MATE-N-LOK

